



# ACURA INSTALLATION INSTRUCTIONS

Accessory

**SIDE UNDER SPOILER**

Application

**2007 RL**

Publications No.

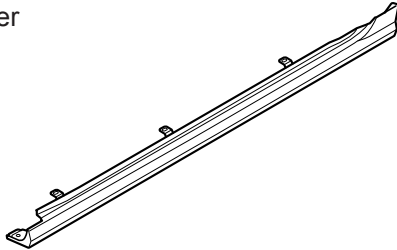
**BII 33587**

Issue Date

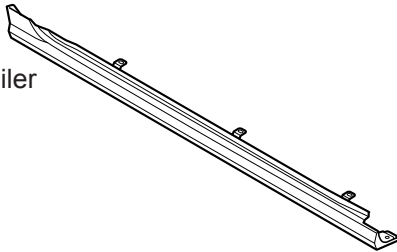
**AUG 2006**

## PARTS LIST

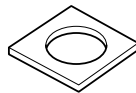
Left side under spoiler



Right side under spoiler



20 Seals



8 Washers



2 Guard tapes



## TOOLS AND SUPPLIES REQUIRED

Phillips screwdriver

Flat-tip screwdriver

Stubby Phillips screwdriver

Isopropyl alcohol

Shop towel

Blanket

Scale

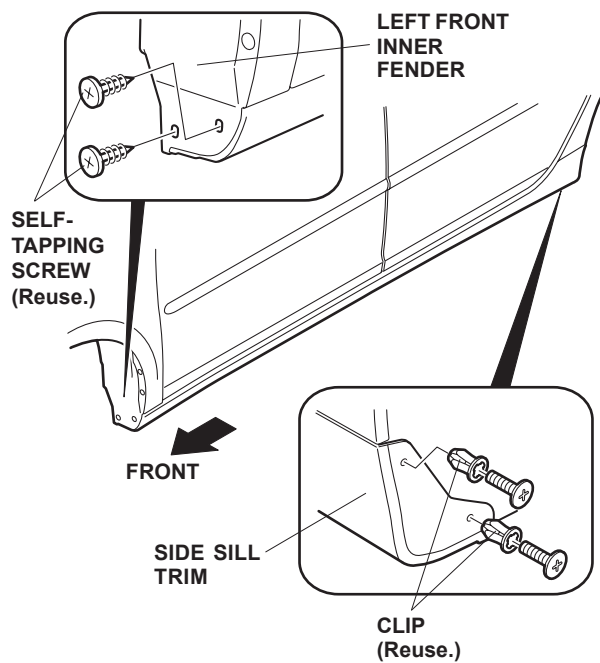
## INSTALLATION

**Customer Information:** The information in this installation instruction is intended for use only by skilled technicians who have the proper tools, equipment, and training to correctly and safely add equipment to your vehicle. These procedures should not be attempted by "do-it-yourselfers."

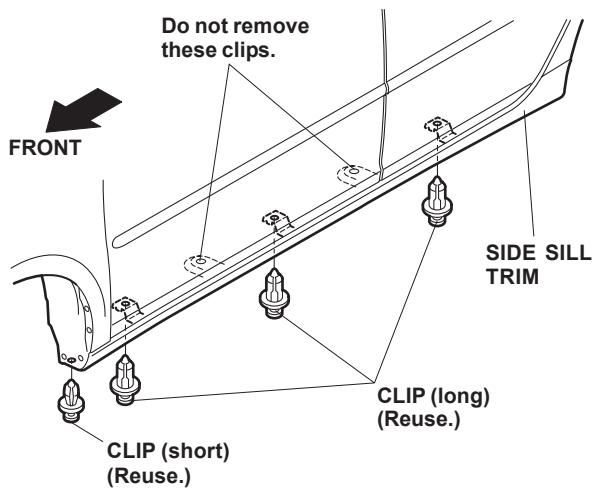
### NOTE:

- These instructions show the left side under spoiler being installed. The same procedure applies to installing the right side under spoiler.
- Be careful not to damage the body paint finish.
- To prevent damage, place a blanket under the side under spoilers during installation.

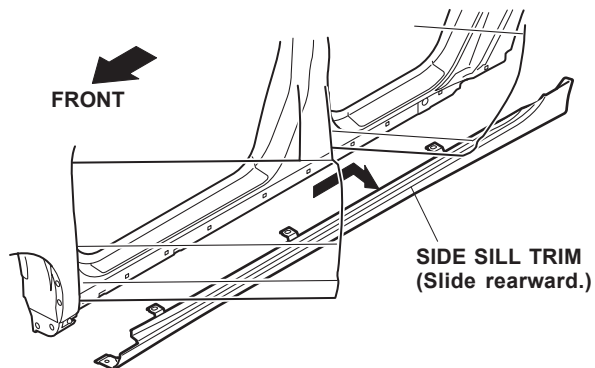
1. Remove the two self-tapping screws that fasten the left front inner fender to the side sill trim.



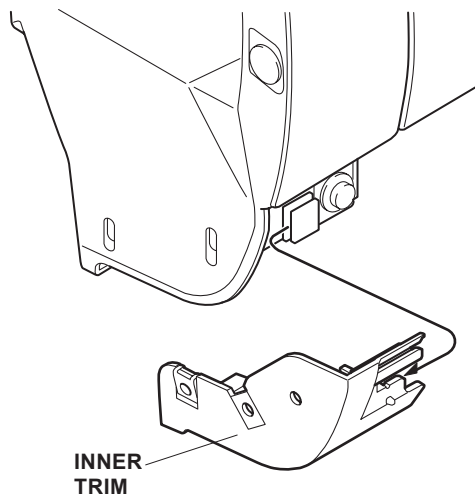
2. Remove the two clips that fasten the left rear inner fender to the side sill trim.
3. Remove the three clips (long) and one clip (short) from the underside of the side sill trim. Note the location of the clips.



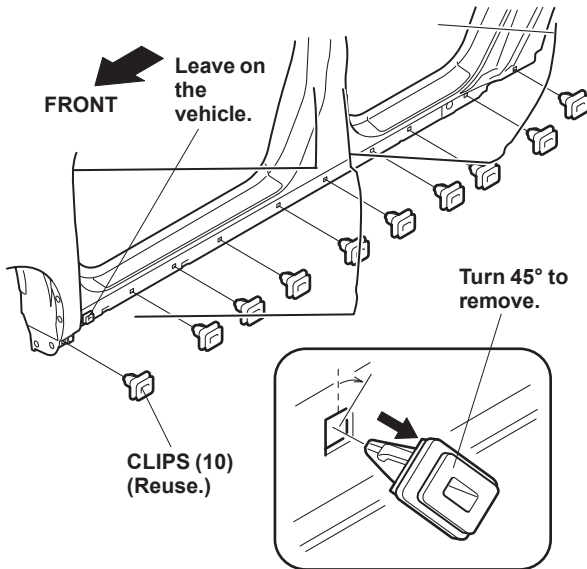
4. Open the front and rear doors. Slide the side sill trim rearward, then remove it by pulling it out toward you.



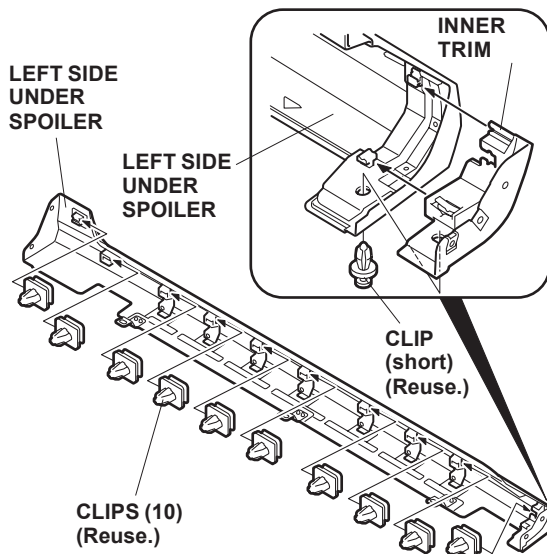
5. Slide the front inner trim forward and remove it.



- Remove 10 clips from the side sill by turning them 45 degrees. Leave the second clip from the front on the vehicle.



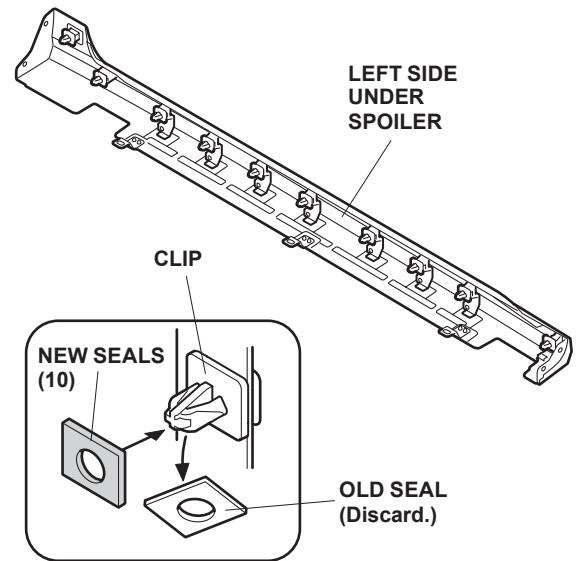
- Slide the inner trim onto the front side of the left under spoiler and secure it with the clip (short).



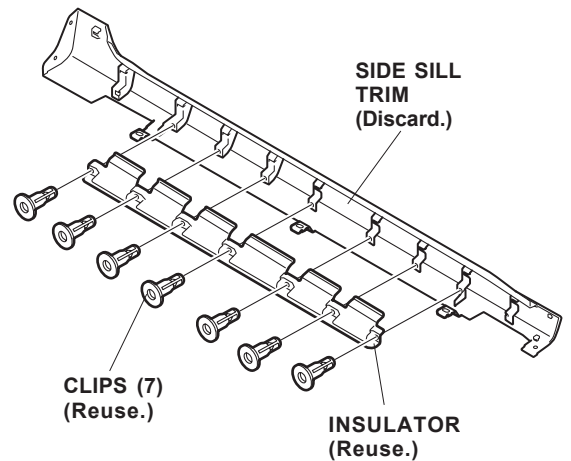
- Slide nine clips into the slots in the side under spoiler and slide one clip onto the inner trim.

- Remove the existing seals and install new seals on the 10 clips.

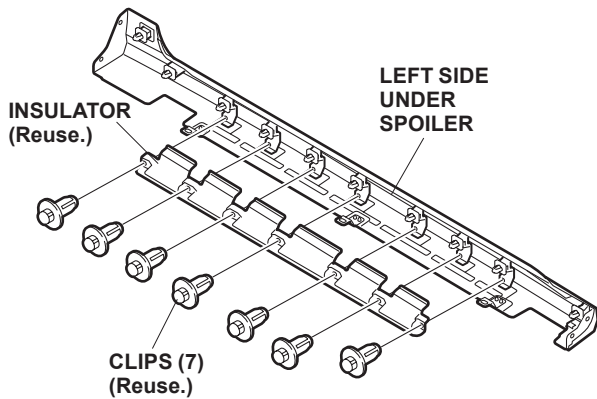
- Be sure to replace the existing seals with new ones. Not replacing the seals can cause rattling and/or loose installation.



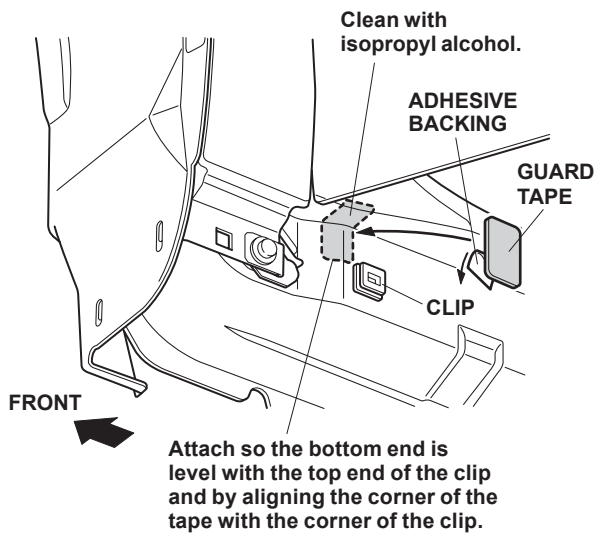
- Remove the insulator from the side sill trim (seven clips).



11. Install the insulator to the left side under spoiler with the seven clips.
  - Before installation, clean any mud, gravel, etc. off the insulator.

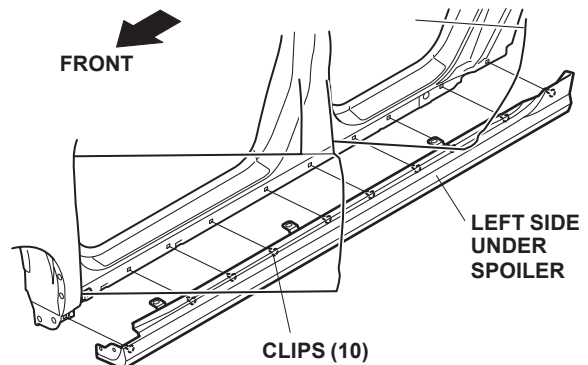


12. Using isopropyl alcohol on a shop towel, clean the front of the vehicle where the guard tape will attach.

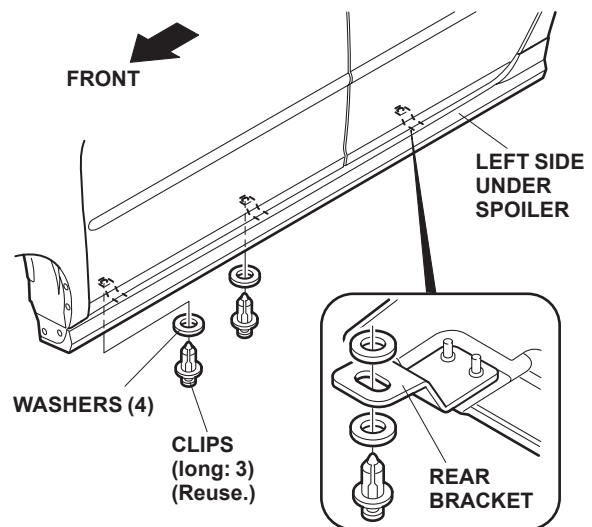


13. Remove the adhesive backing from the guard tape. Attach the guard tape to the vehicle with the bottom end of the guard tape level with the top end of the clip, and align the corner of the tape with the corner of the clip.

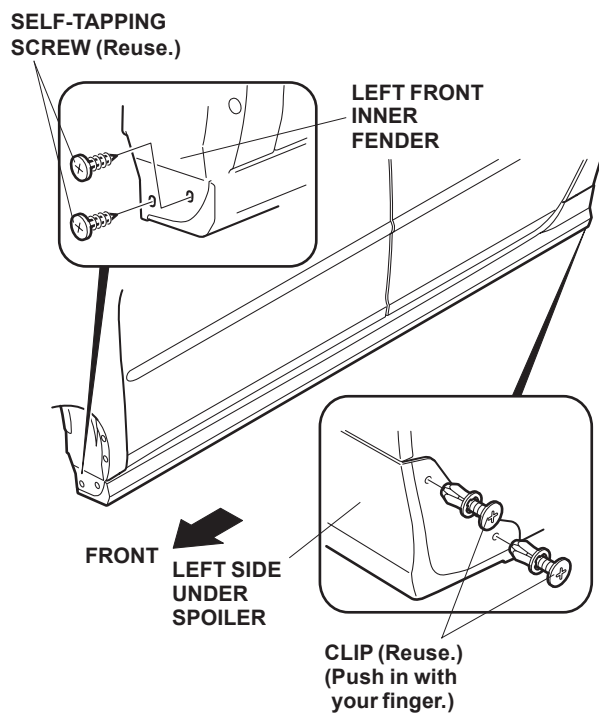
14. Position the left side under spoiler on the body, and push the clips into the square holes on the body. Use the palm of your hand to click all 10 clips into place.



15. Install the three clips (long) and four washers to secure the left side under spoiler. Use one washer on each of the clips that go in the front bracket, and two washers on the clip that goes in the rear bracket.



16. Reinstall the two self-tapping screws you removed in step 1.



17. Reinstall the two clips you removed in step 2 by pushing them in with your finger.
18. Repeat this procedure to install the right side under spoiler.