



INSTALLATION INSTRUCTIONS

Accessory

**ROOF RACK
P/N 08L02-STK-201**

Application

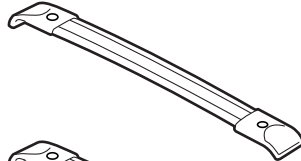
2007 RDX

Publications No.
B11 32599-38388

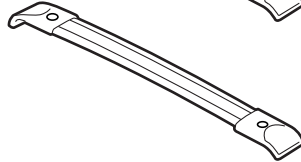
Issue Date
NOV 2007

PARTS LIST

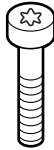
Front cross bar (long)



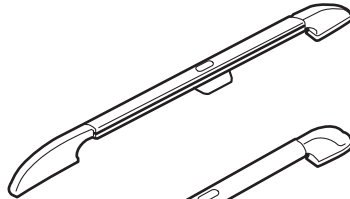
Rear cross bar (short)



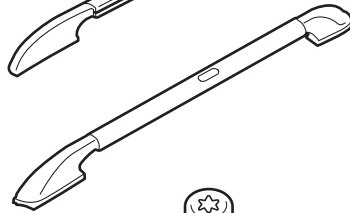
4 Special bolts



Right side rail



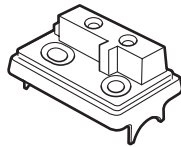
Left side rail



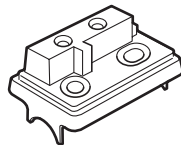
4 Short TORX bolts



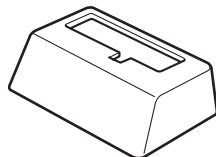
Right center stay



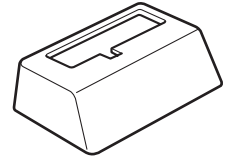
Left center stay



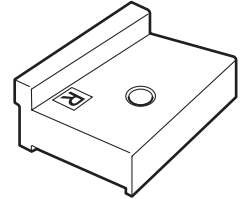
Right center cover



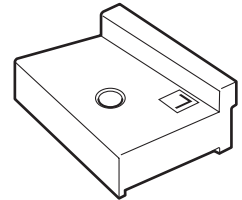
Left center cover



2 Right holders



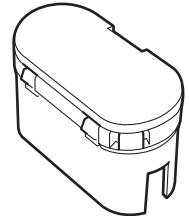
2 Left holders



12 TORX nuts



2 Rail caps



4 Washers



4 Lock washers



8 Spacers



TOOLS AND SUPPLIES REQUIRED

Phillips screwdriver
Flat-tip screwdriver
Shop towel
Long-nose pliers
T-30 TORX driver
Hacksaw (32 tpi blade)
Small flat-tip screwdriver
Tape
KTC trim tool set

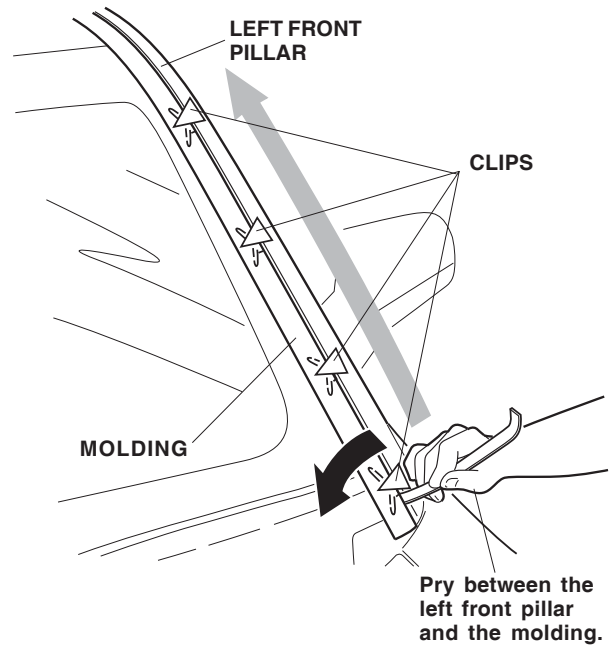
INSTALLATION

NOTE:

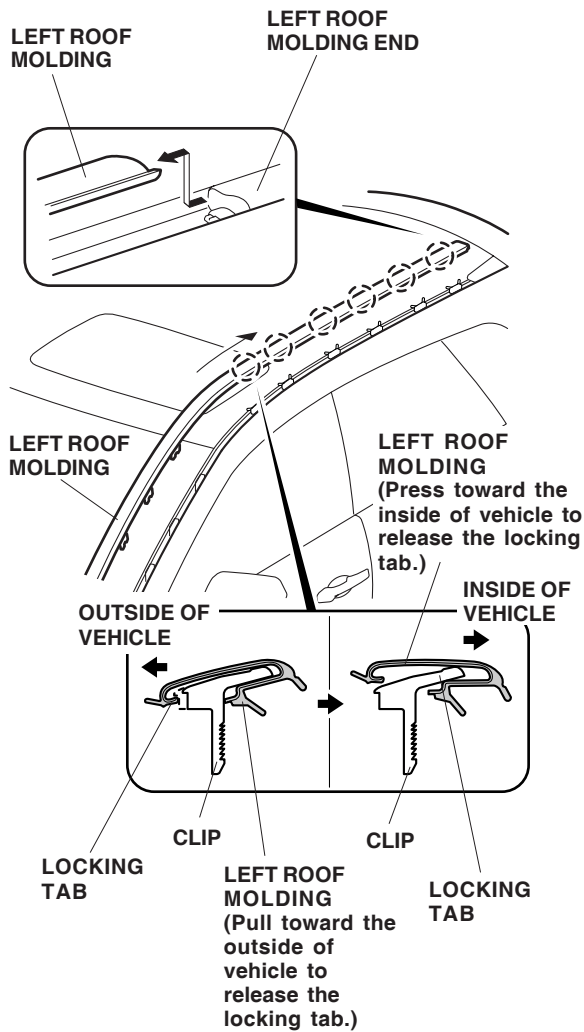
- The cargo weight must not exceed the maximum weight capacity 110 lb (50 kg).
- Be extremely careful not to damage the roof and other finished surfaces of the body when installing the roof rack.
- Do not interchange the front and rear parts or the right and left parts.

Release Roof Molding Clips

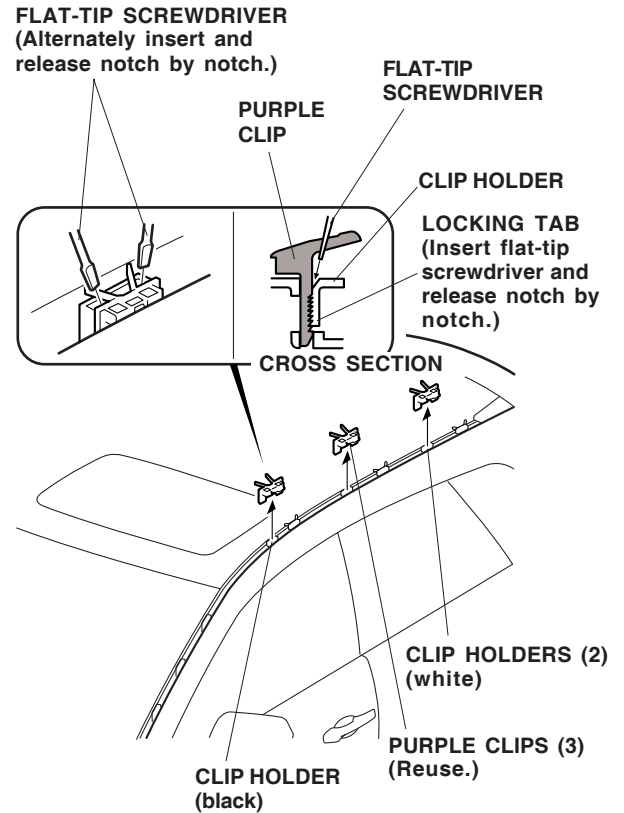
1. Pull the roof molding toward the outside of the vehicle and rotate it to create a gap between the pillar and the molding.
 - Carefully insert a plastic trim tool under the molding and pry up on the outside edge of the roof molding at the clip.
 - When removing roof molding, start from the front of the vehicle and work toward the top.



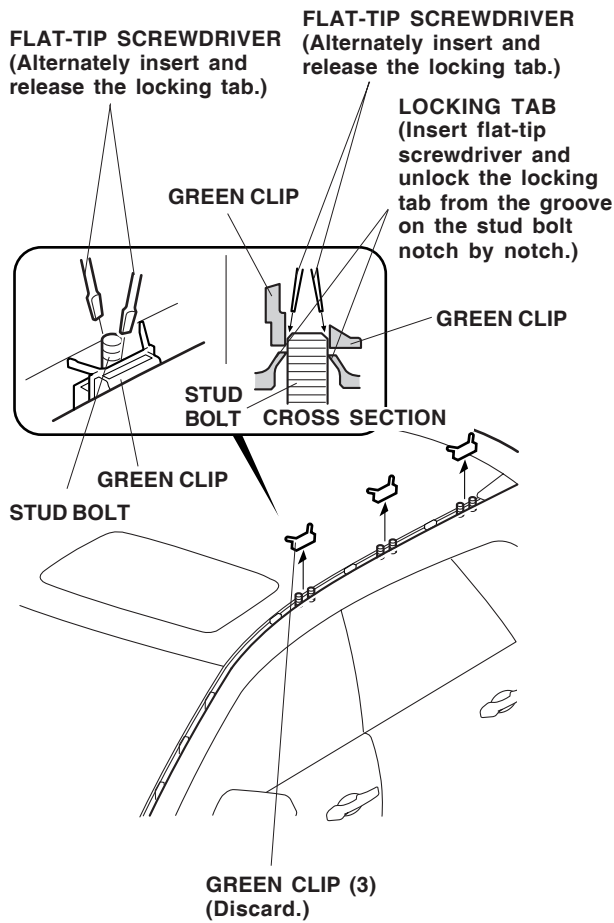
2. Pull the roof molding toward the outside of the vehicle, release the locking tab, and then press the locking tab towards the inside of the vehicle, and remove the roof molding from the vehicle.
 - Remove the roof molding carefully.
 - When removing the roof molding, start from the front of vehicle and work towards the rear.
 - When releasing the roof molding from the clips, release them carefully one by one.



3. Insert flat-tip screwdrivers alternately between the purple clip and the clip holder as shown. While pulling the purple clip, release the locking tab notch by notch, and remove three purple clips. Work slowly and carefully to remove the purple clips.

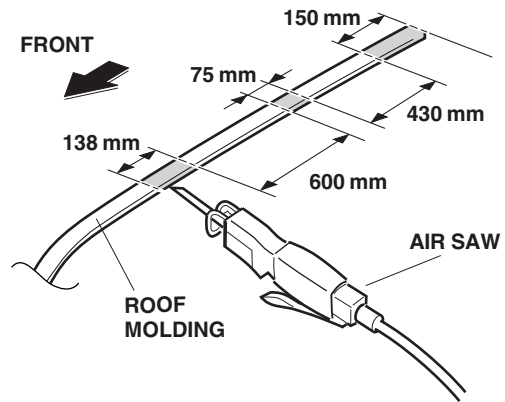


- Insert flat-tip screwdrivers alternately between the green clip and the vehicle stud as shown. While pulling the green clip, release the locking tab of the green clip from the groove on the stud notch by notch, and remove the green clip.

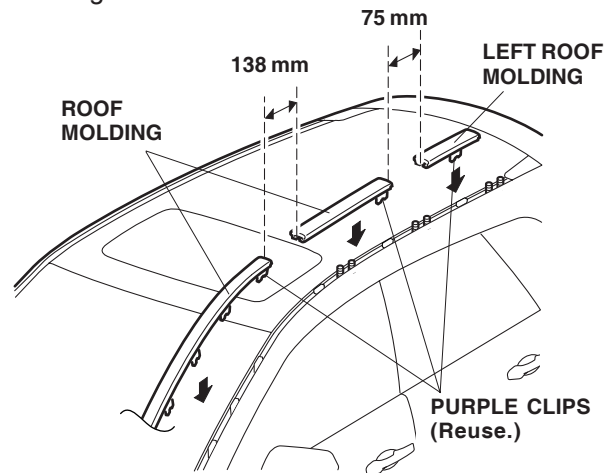


- Repeat steps 1 thru 4 to remove the roof molding on the right side of the vehicle.

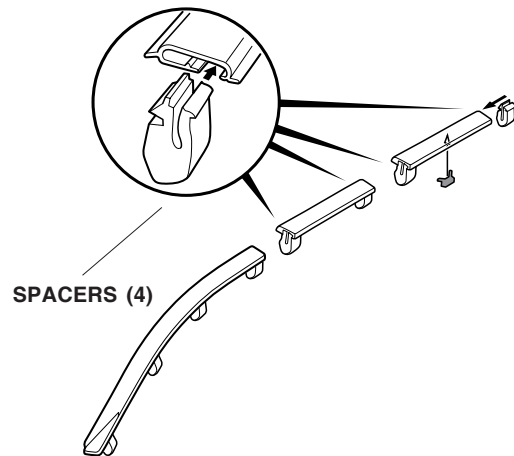
- While wearing eye protection, use an air saw to cut each roof molding to the dimensions shown.



- Install the purple clips to the cut pieces of left roof molding.

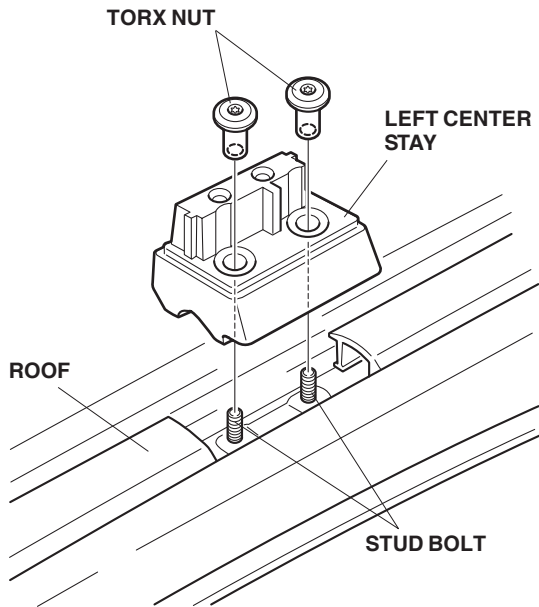


- Install the four spacers on the ends of the cut pieces of the roof molding.

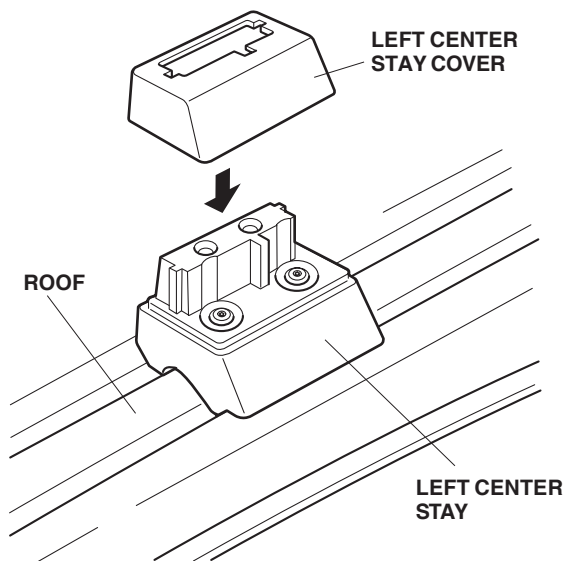


- Install the cut pieces of left roof molding to the vehicle.

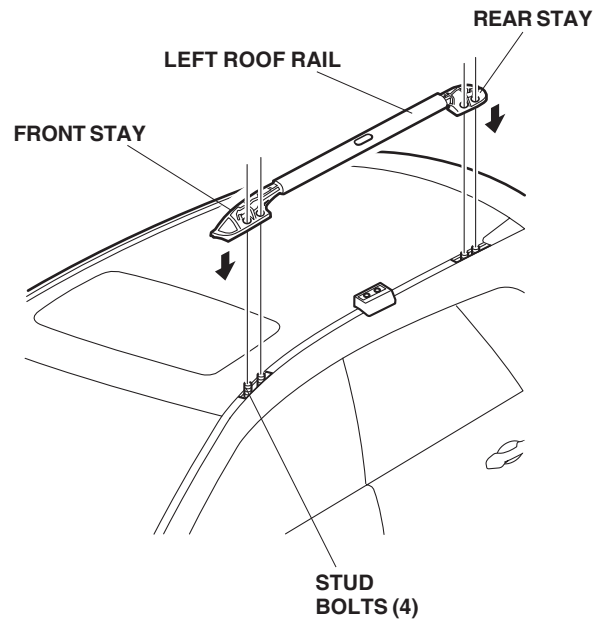
10. Place the left center stay over the two stud bolts at the center of the roof, and install the two TORX nuts using a T-30 TORX driver. Torque the TORX bolts to 5 to 8 N·m (7 to 10 ft·lbs).



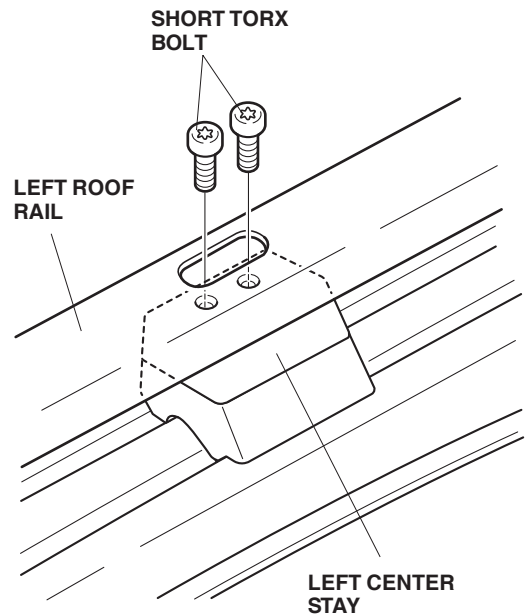
11. Install the left center stay cover on the left center stay.



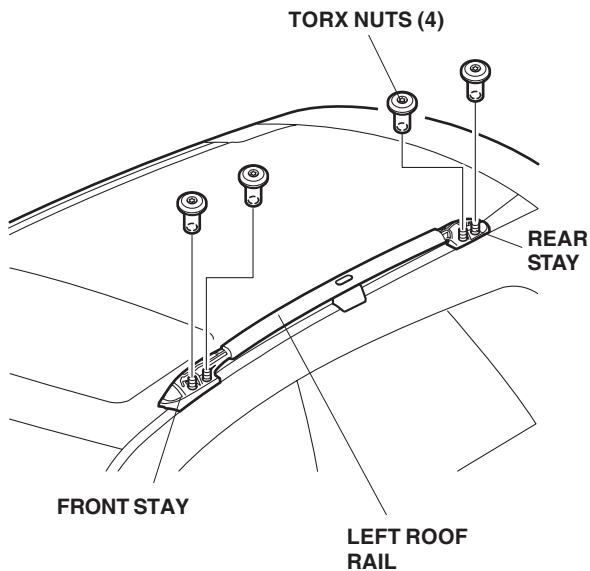
12. Place the left roof rail over the four stud bolts on the left side of the roof.



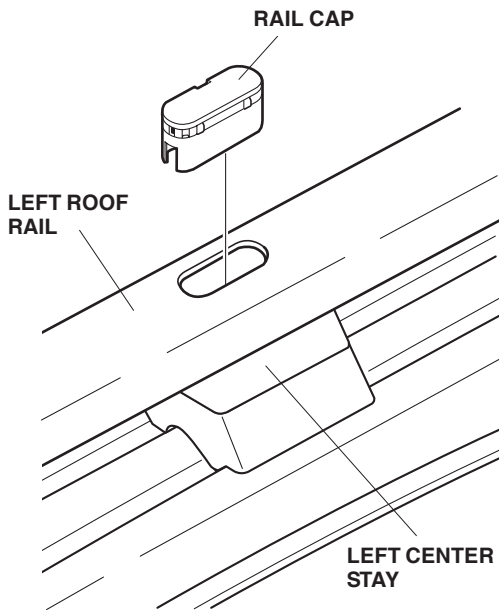
13. At the center stay, install two short TORX bolts through the holes in the left roof rail. Torque the center TORX bolts to 7 to 12 N·m (5 to 7 ft·lbs).



14. Install two TORX nuts to attach the front stay and rear stays, use a TORX driver to secure the stays to the roof. Torque the four TORX nuts to 7 to 10 N·m (5 to 8 ft-lbs).

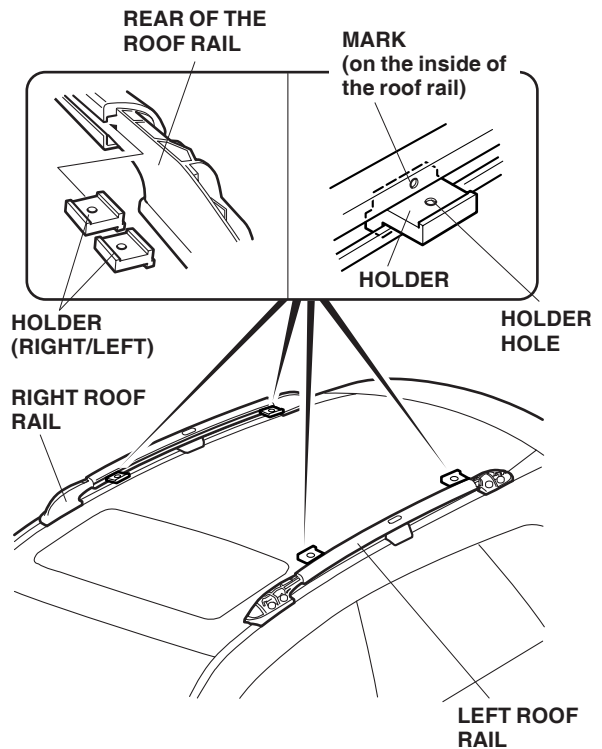


15. Install the rail cap into the hole in the center of the left roof rail.

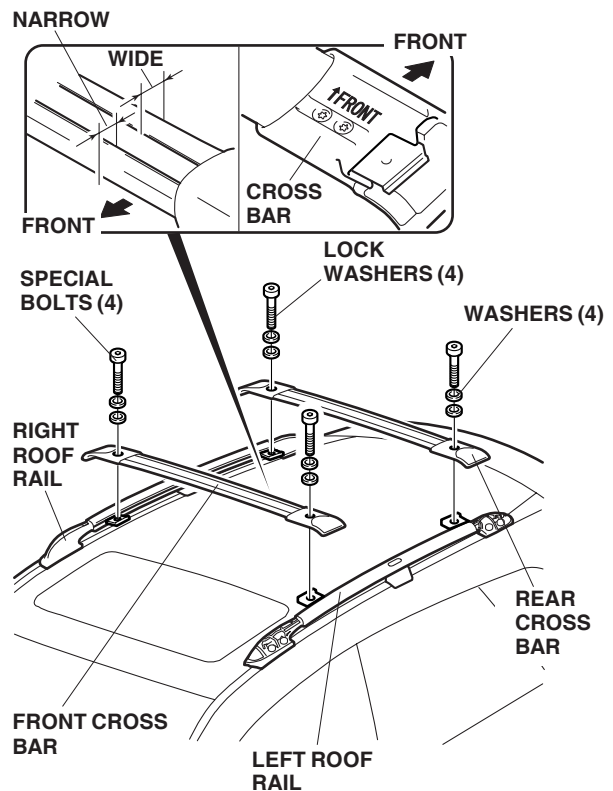


16. Repeat steps 7 thru 15 to install the right roof rail on the right side of the vehicle.

17. Slide two holders into each roof rail.

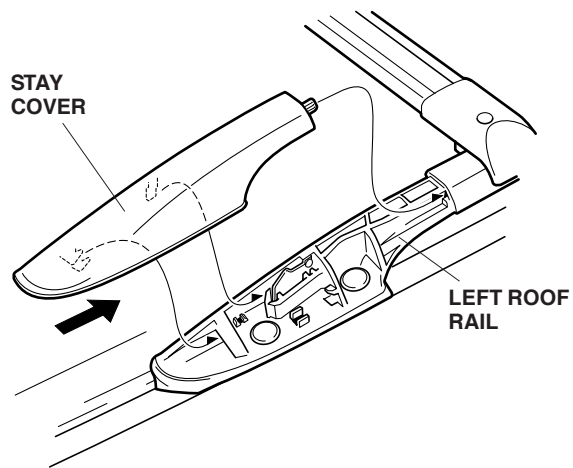


18. Slide each holder back, and align the hole in the holder with the mark on the inside of the roof rail.



19. Position the cross bars on the holders, and install the special bolts with washers. Tighten the bolts securely.

20. Install the stay covers to the roof rail.



20. After installing, pull the covers back and forth to verify that they are installed securely.

