



# ACURA INSTALLATION INSTRUCTIONS

Accessory  
**REAR BUMPER  
APPLIQUE**  
P/N08P48-STK-200

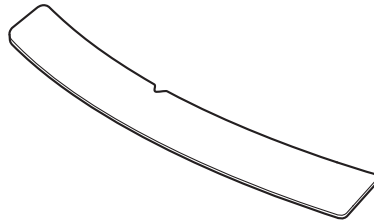
Application  
**2007 RDX**

Publications No.  
**All 32473**

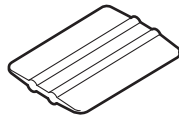
Issue Date  
**JULY 2007**

## PARTS LIST

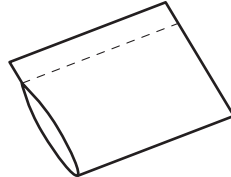
Rear bumper applique



Applicator



Soft sleeve



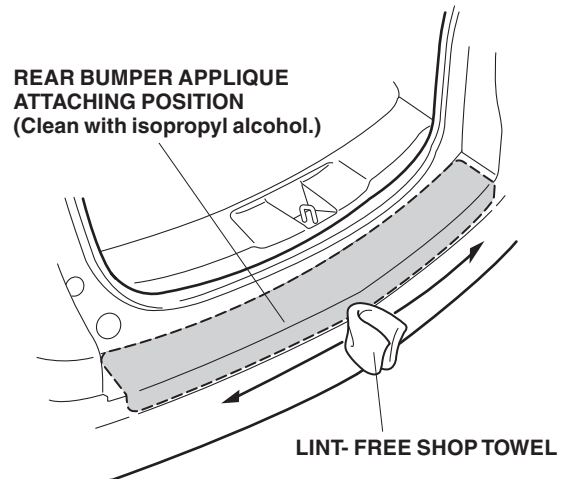
## TOOLS AND SUPPLIES REQUIRED

Isopropyl alcohol  
Shop towel  
Lint-free shop towel  
Masking tape  
Felt-tip pen  
Protective tape application solution P/N: 08712-0008

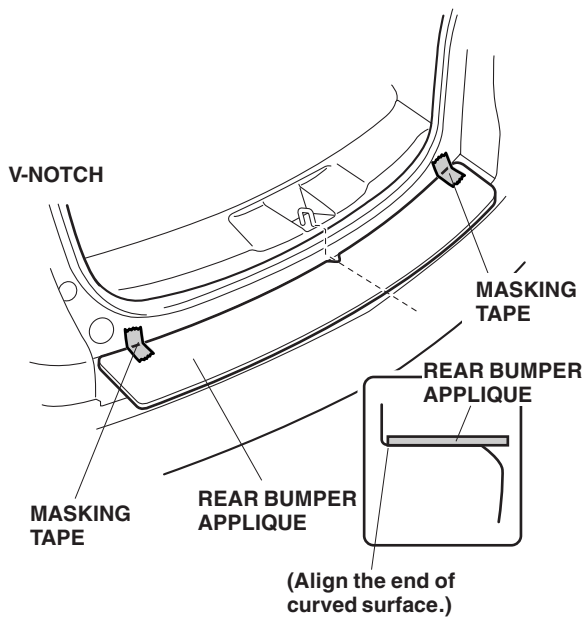
## INSTALLATION

### NOTE:

- Be careful not to damage the rear bumper and other finished surfaces of the body.
  - This rear bumper applique should be installed only if the ambient air temperature is 60°F (15°C) or above.
  - To allow the adhesive to “cure,” do not wash the car for 24 hours.
1. Using isopropyl alcohol on a lint-free shop towel, clean the rear bumper where the rear bumper applique will attach.

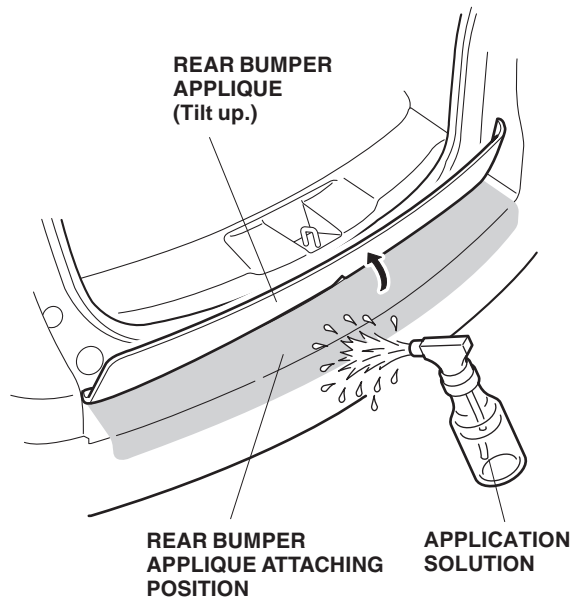


- Align the V-notch on the rear bumper applique with the center of the tailgate anchor.

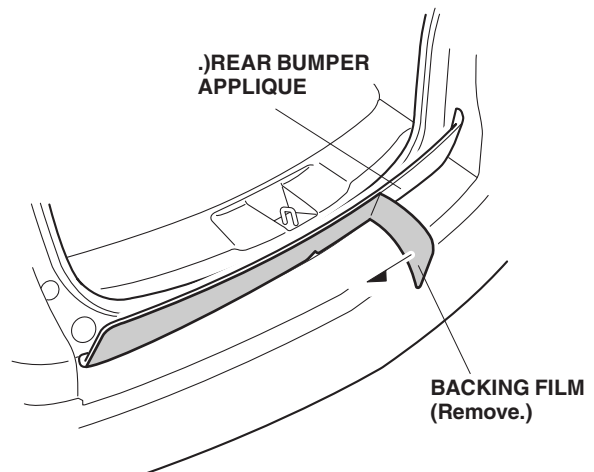


- Use masking tape to temporarily hold the rear bumper applique in place.

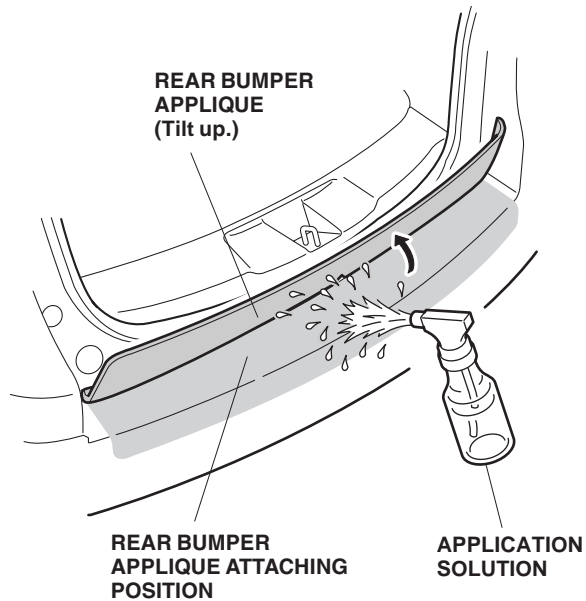
- Tilt up the rear bumper applique.



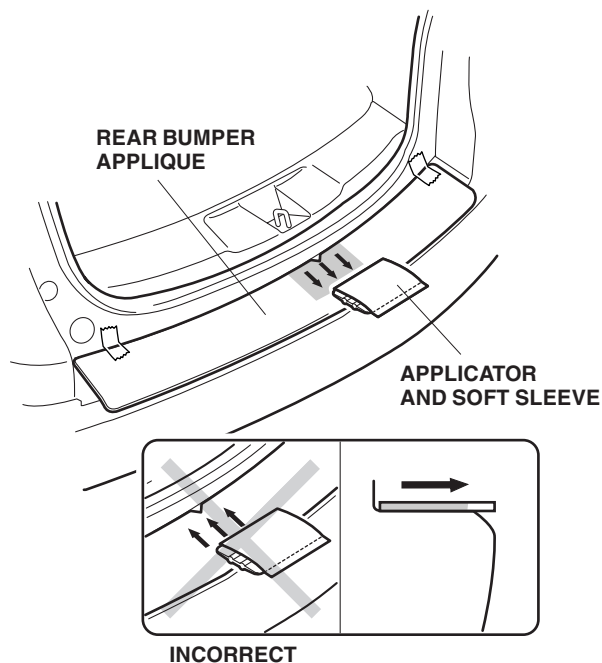
- Liberaly apply application solution to the bumper applique attaching position.
- Remove the adhesive backing from the rear bumper applique.



7. Liberally apply application solution onto the rear bumper applique adhesive surface and on the rear bumper applique attaching position.

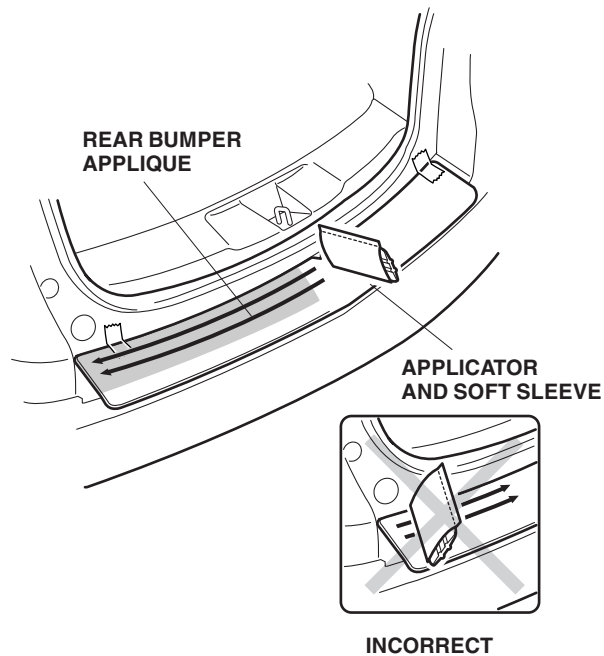


8. Position the rear bumper applique on the rear bumper. Do not use your fingers to apply pressure on the bumper applique.

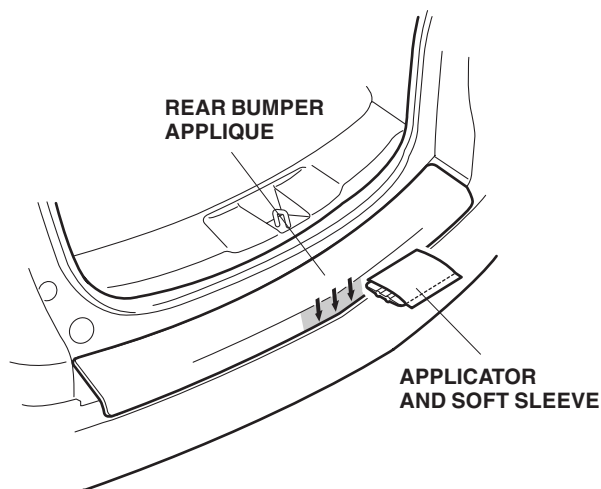


9. Using the applicator with the soft sleeve, apply pressure to smooth out the top surface at the center as shown. Do not apply pressure while pushing with the applicator.

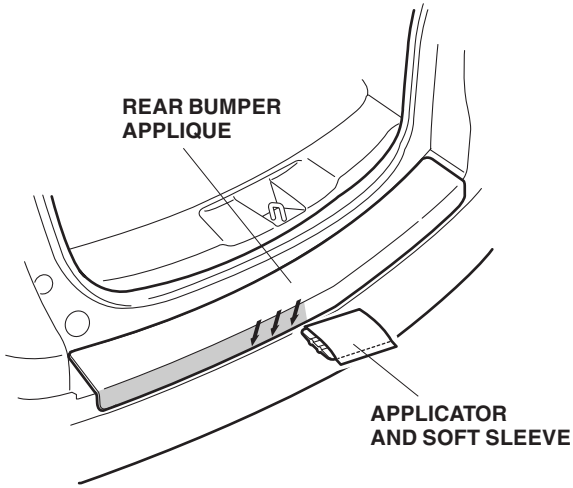
10. Starting from the center and working to the left, use the applicator with the soft sleeve to smooth the rear bumper applique. Repeat for the right side. Do not apply pressure while pushing with the applicator.



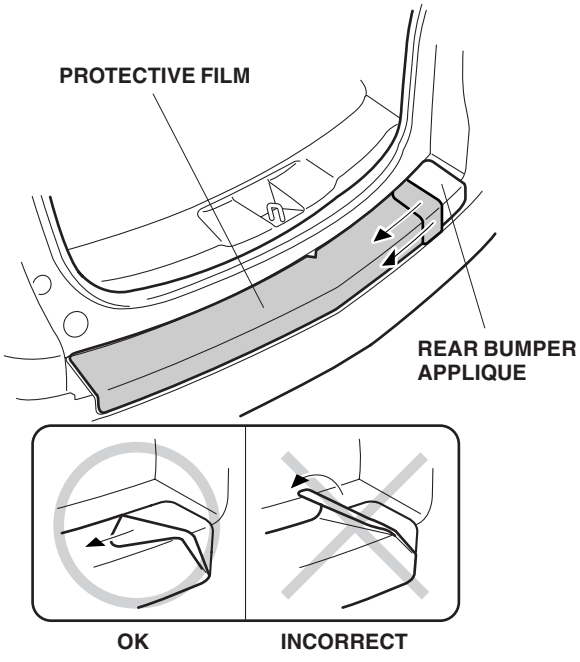
11. Once the flat surface is completely smooth with no bubbles, use the applicator with the soft sleeve to apply the rear bumper applique to the rounded rear edge at the center.



12. Use the applicator with the soft sleeve to apply the rear bumper applique to the rounded rear edge at the left side as shown. Start in the middle and work outward. Repeat for the right side.



13. Remove the protective film from the rear bumper applique. Remove the protective film slowly so the rear bumper applique and the protective film are parallel to each other.



14. Use a shop towel to rub across and down on the rear round edge.

