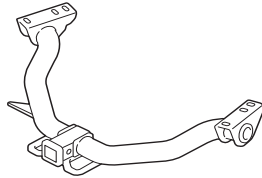


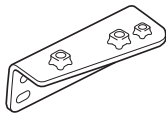
**PARTS LIST**

**Trailer Hitch Kit  
P/N 08L92-STX-200**

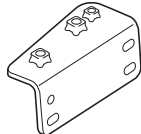
Trailer hitch



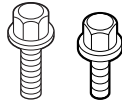
Left bracket



Right bracket



8 Washer Bolts, 14 x 60 mm or  
8 Bolts, 14 x 40 mm



4 Washer Bolts, 14 x 40 mm



2 Washer Bolts, 12 x 33 mm



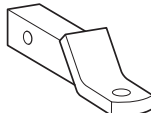
12 Washers, 14 mm



2 Washers, 12 mm



Ball mount



Receiver cover



Hitch pin

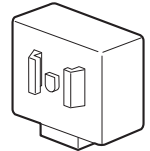


Hitch pin clip

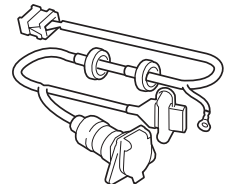


**Trailer Harness Kit  
P/N 08L91-STX-200**

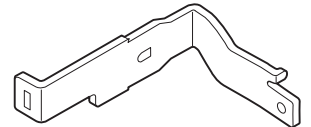
Trailer hitch control unit



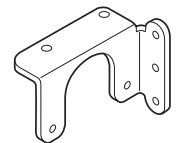
Trailer socket



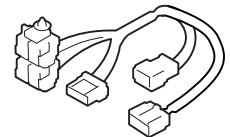
Control unit bracket



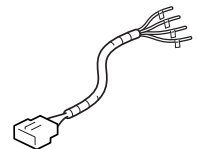
Socket bracket



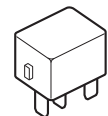
Control unit harness



Subharness



3 Relays



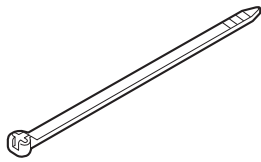
2 Fuses (7.5 A)



3 Fuses (20 A)



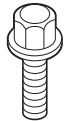
5 Wire ties



4 Flange bolts, 6 x 16 mm



2 Flange bolts, 6 x 35 mm



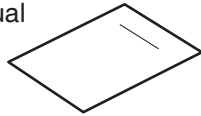
Flange bolt, 6 x 12 mm



2 Flange nuts, 6 mm

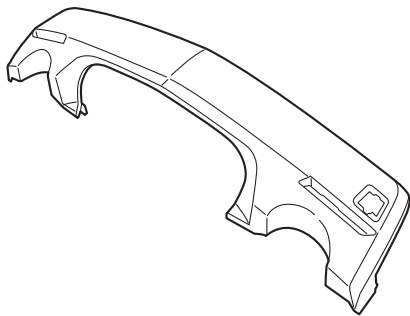


Accessory user's information manual



**Bumper Trim Kit**  
P/N 08L92-STX-210A  
P/N 08L92-STX-220A

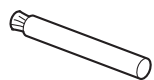
Bumper trim



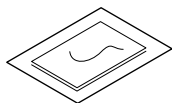
Rubber molding  
(If equipped, not used)



Primer  
(If equipped, not used)



Alcohol pad  
(If equipped, not used)



## TOOLS AND SUPPLIES REQUIRED

Clip remover

Ratchet

10 mm, 17 mm and 19 mm sockets

10 mm Wrench

Torque wrench

19 mm Combination wrench

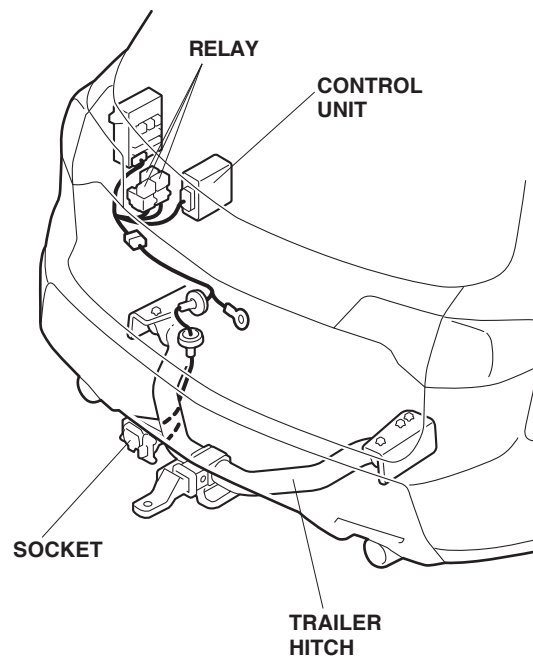
Masking tape

Gloves

Scale

Blanket

## Illustration of the Trailer Hitch Installed on the Vehicle



## INSTALLATION

**Client Information:** The information in this installation instruction is intended for use only by skilled technicians who have the proper tools, equipment, and training to correctly and safely add equipment to your vehicle. These procedures should not be attempted by “do-it-yourselfers.”

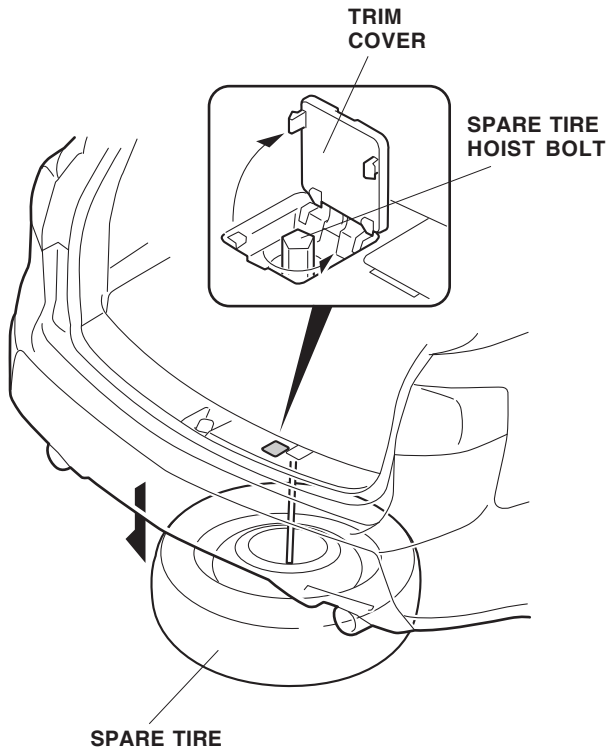
### NOTE:

- Be careful not to damage the rear bumper cover or other surfaces of the body.
- Allow the exhaust system to cool down before installing the trailer hitch.
- This trailer hitch should be installed only when the ambient air temperature is above 60°F (15°C).

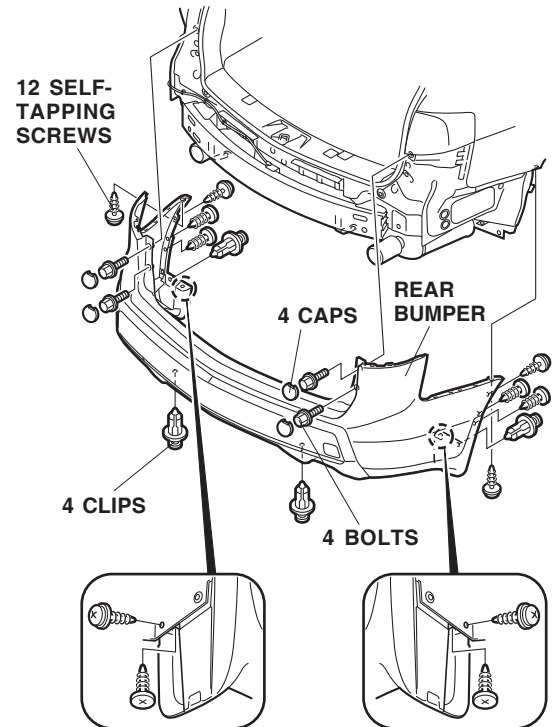
1. Make sure you have the anti-theft code for the radio, then write down the frequencies for the preset buttons.
2. Disconnect the negative cable from the battery.

### Installing the Hitch

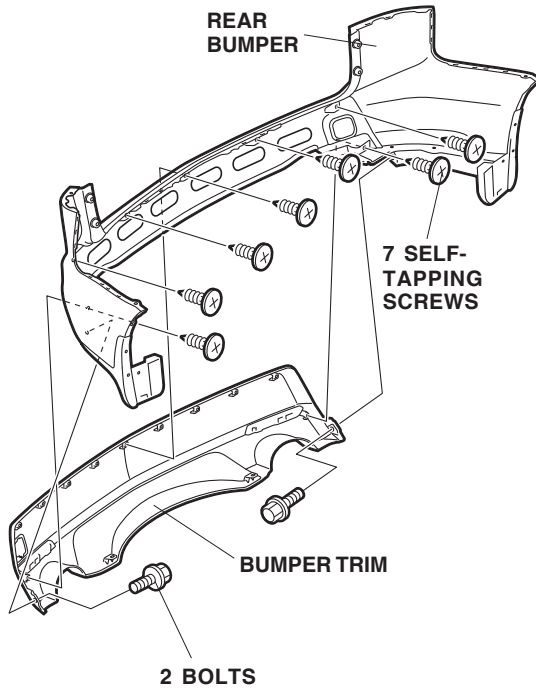
3. Open the tailgate and locate the trim cover. Open the trim cover. Using the vehicle wheel wrench, lower the spare tire completely.



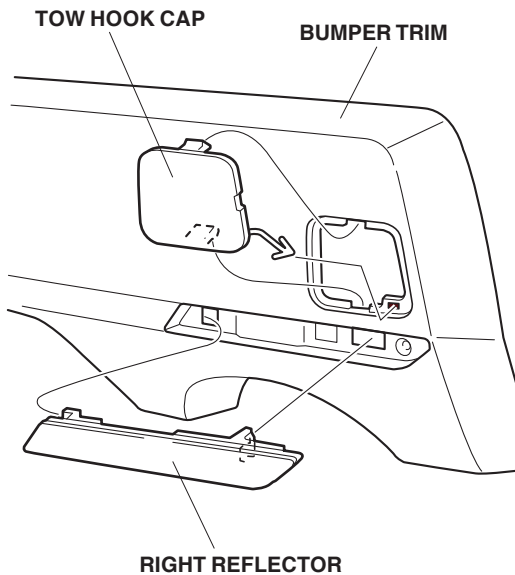
4. With the help of an assistant, remove the rear bumper (four caps, four bolts, 12 self-tapping screws, and four clips). Place the rear bumper on a blanket to prevent damage.



- Remove the bumper trim from the rear bumper (seven self-tapping screws and two bolts). Set the bumper trim aside; it will not be reused.

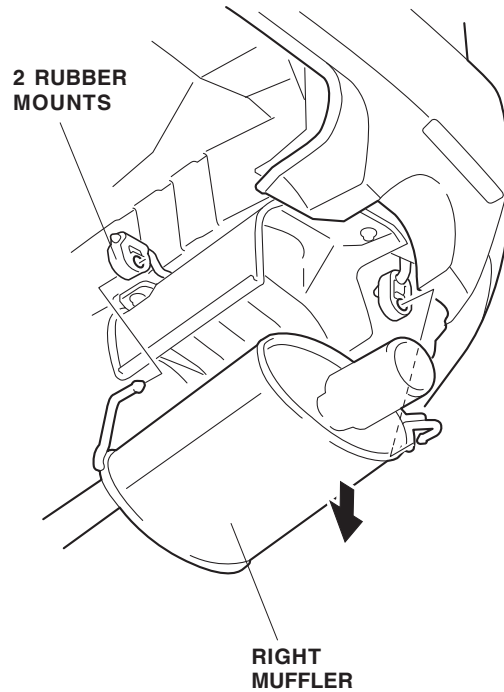


- Remove the tow hook cap and the right reflector from the bumper trim. Remove the left reflector the same way.

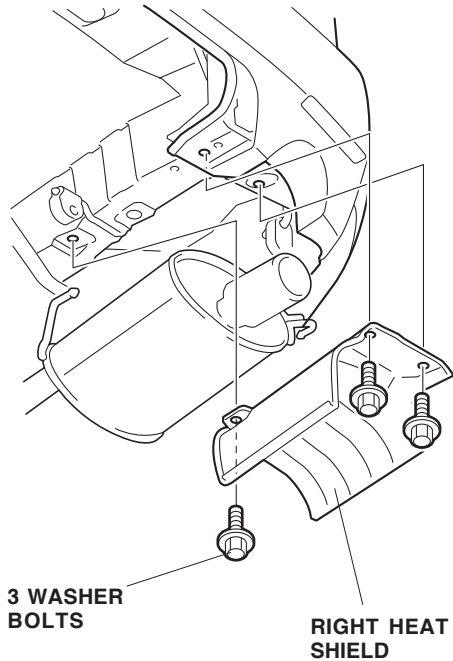


- Install the tow hook cap and the two reflectors to the new bumper trim.
- Install the new bumper trim to the rear bumper reusing the seven self-tapping screws and the two bolts.

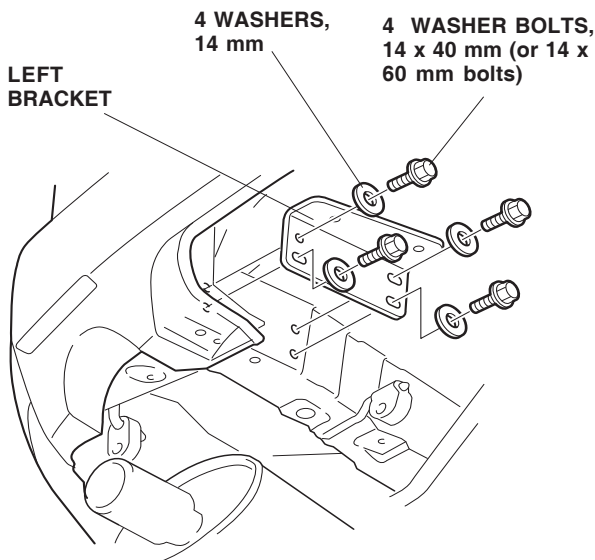
- When the exhaust system has cooled down, remove the two rubber mounts that secure the right muffler to the body, then carefully lower the exhaust system. Lower the left muffler the same way.



10. Remove the right heat shield (three washer bolts).

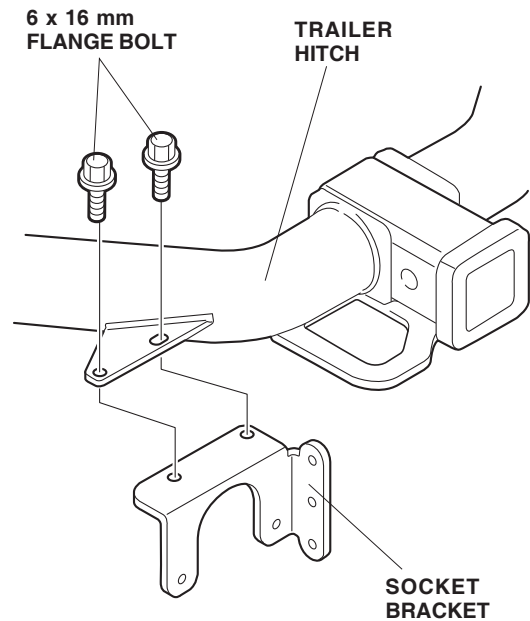


11. Remove the left heat shield (three washer bolts).
12. Position the left bracket on the body, and install four 14 x 40 mm bolts (or 14 x 60 mm bolts, if supplied) and four 14 mm washers. Torque the bolts to 75 N·m (55 lb-ft).

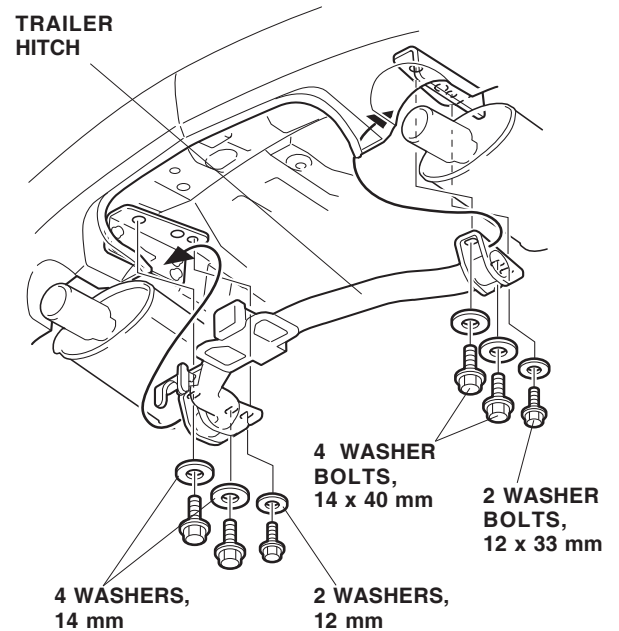


13. Install the right bracket the same way.

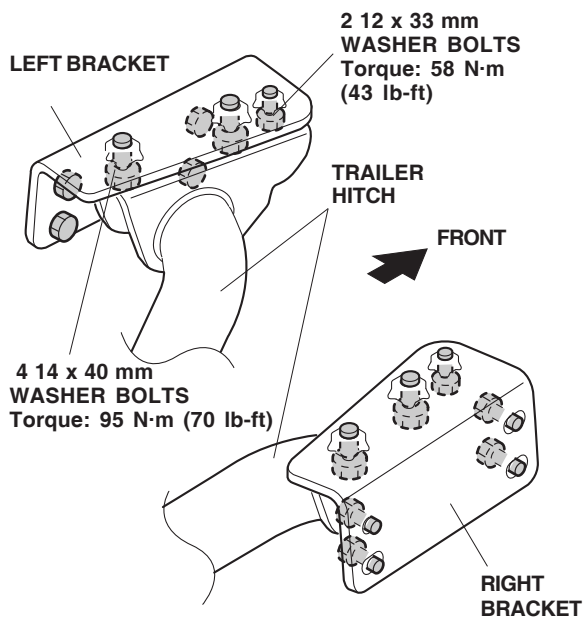
14. Install the socket bracket to the trailer hitch with two 6 x 16 mm flange bolts.



15. With the help of an assistant, position the trailer hitch under the body. Loosely install the two 12 x 33 mm bolts, two 12 mm washers, four 14 x 40 mm bolts and four 14 mm washers.
- NOTE:** Do not use the 14 x 60 mm bolts for this step.



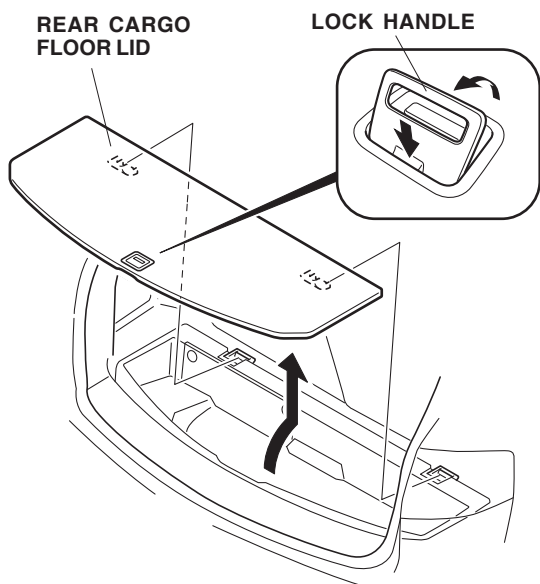
16. Torque the 14 x 40 mm bolts to 95 N·m (70 lb-ft), then torque the 12 x 33 mm bolts to 58 N·m (43 lb-ft).



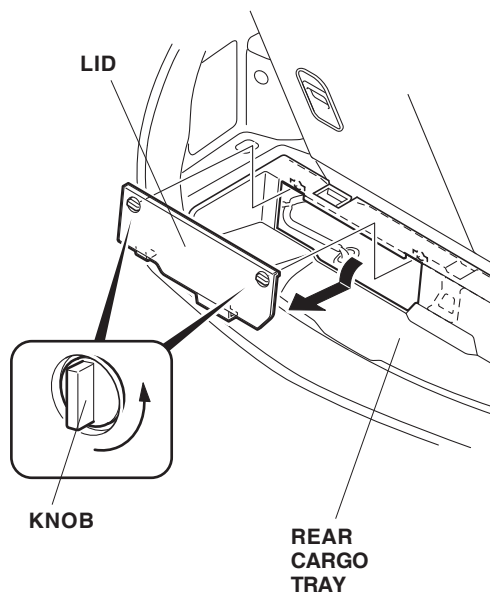
17. Reinstall the heat shields and rubber mounts.

### Installing the Trailer Harness

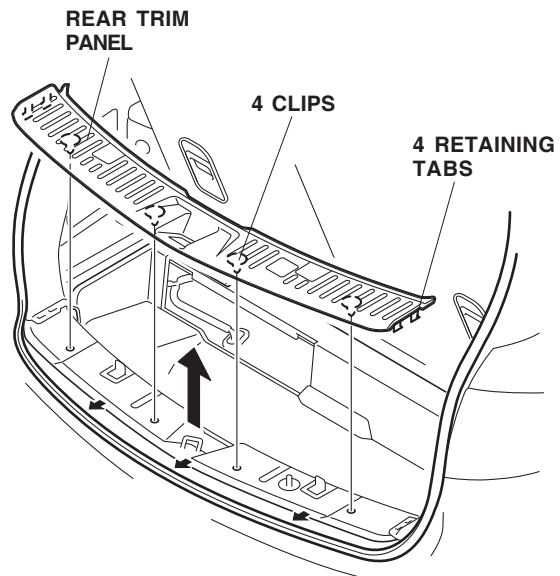
18. Lift up the lock handle and remove the rear cargo floor lid.



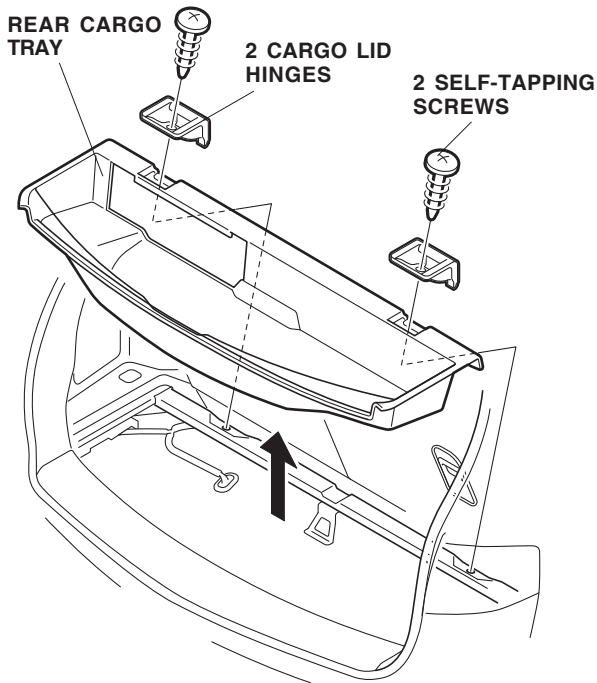
19. Turn the knobs, then pull out the lid from the rear cargo tray.



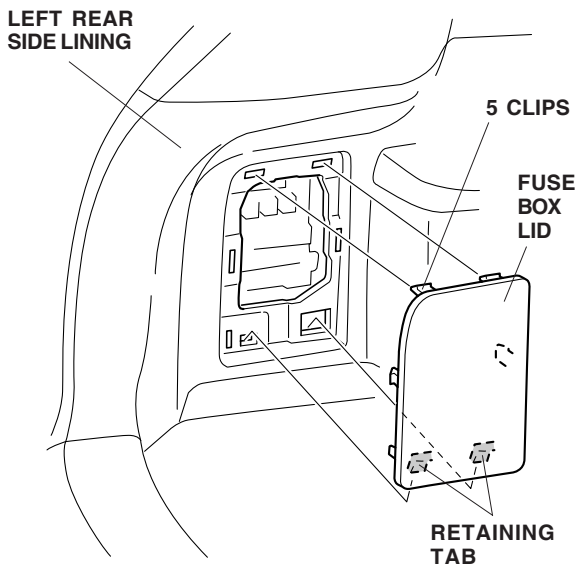
20. Remove the rear trim panel (four retaining tabs and four clips).



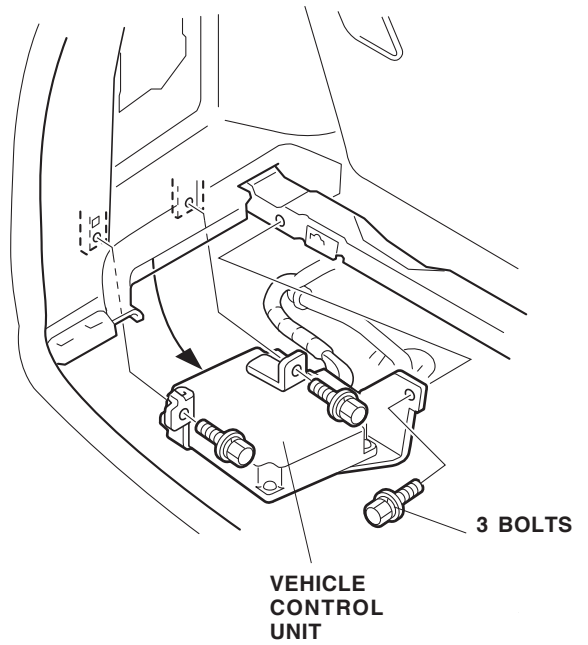
21. Remove the two cargo lid hinges (two self-tapping screws), and remove the rear cargo tray.



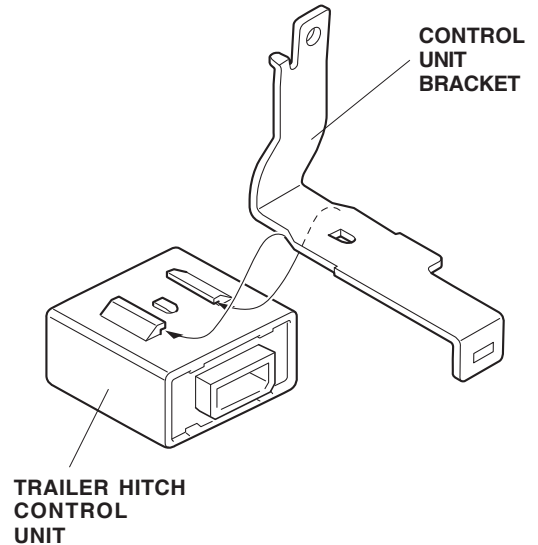
22. Remove the fuse box lid from the left rear side lining (five clips and two tabs).



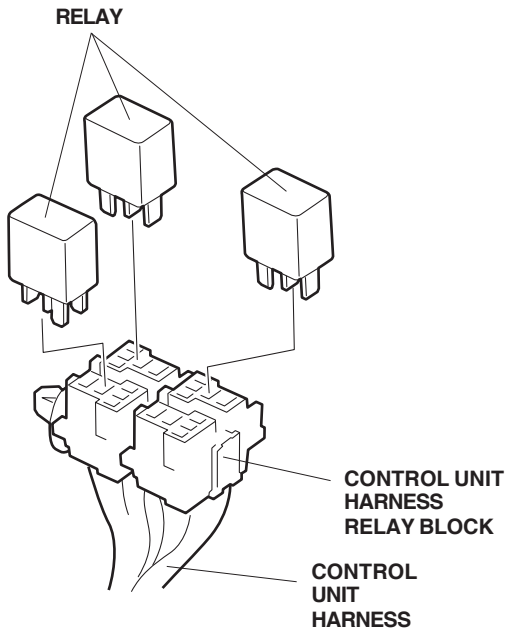
23. Remove the three mounting bolts from the vehicle control unit, then move the control unit out of the way without disconnecting the connector.



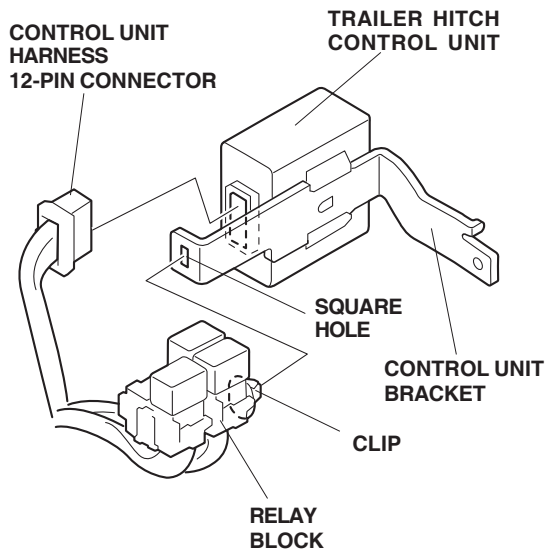
24. Slide the control unit bracket onto the control unit.



25. Install the three relays to the control unit harness relay block.

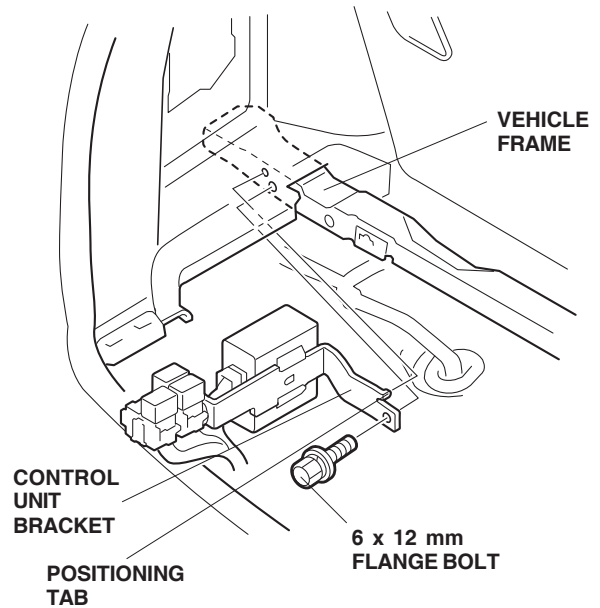


26. Plug the control unit harness 12-pin connector into the control unit.

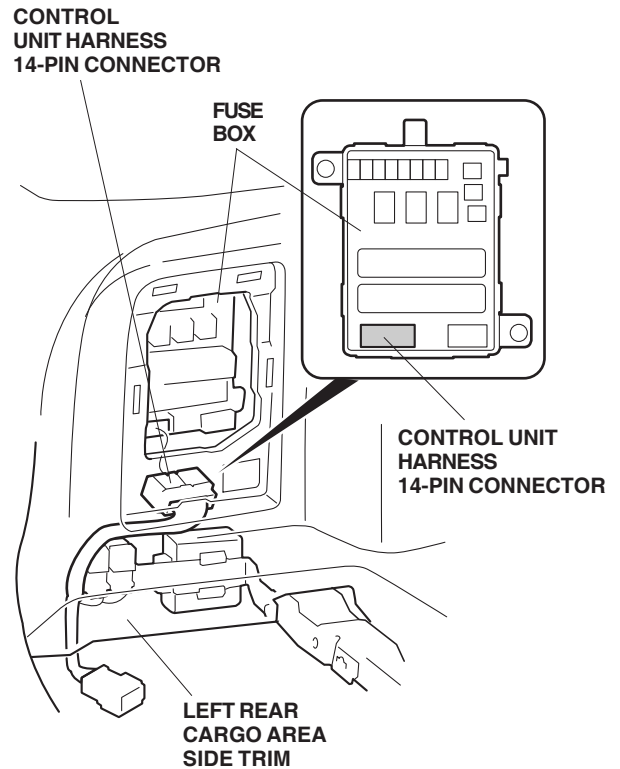


27. Push the clip on the relay block into the square hole in the control unit bracket.

28. Position the control unit bracket on the vehicle frame and install the 6 x 12 mm flange bolt. The control unit bracket positioning tab goes in the upper hole of the vehicle frame.



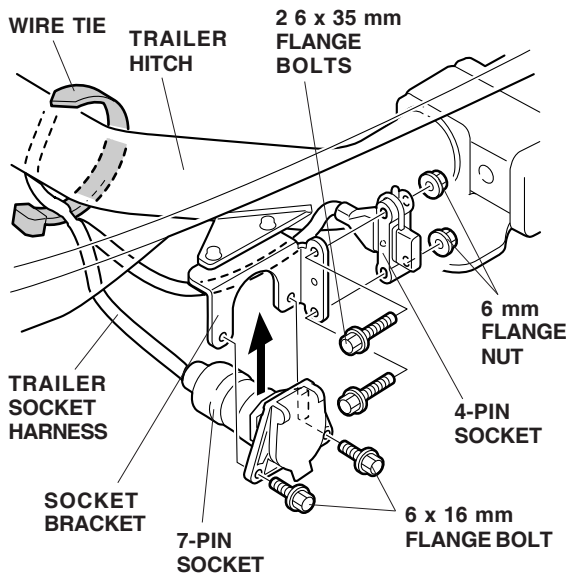
29. Route the control unit harness 14-pin connector under the left rear cargo area side trim, and plug the control unit harness 14-pin connector into the fuse box as shown.





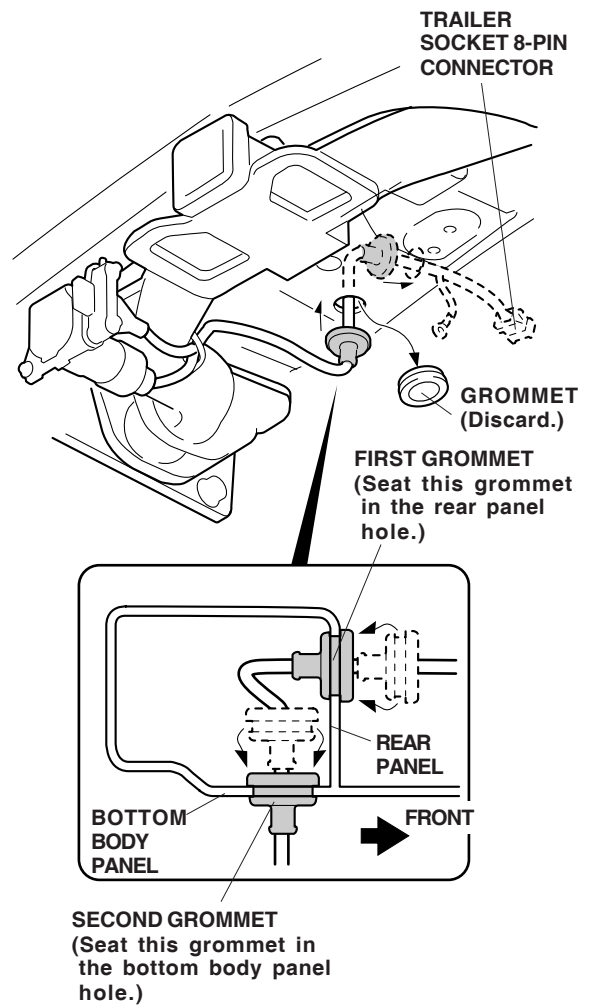
## Installing the Trailer Socket

30. Attach the 4-pin socket to the socket bracket using two 6 x 35 mm flange bolts and two 6 mm flange nuts.



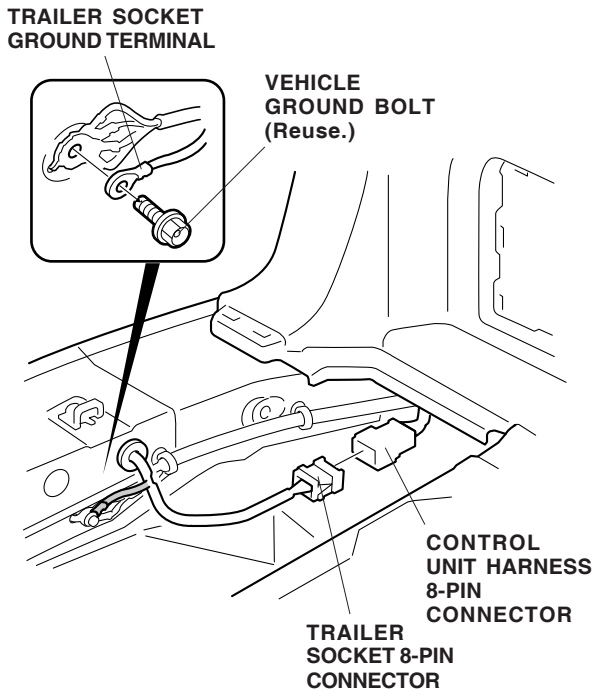
31. Slide the 7-pin socket into the socket bracket, and secure the 7-pin socket with two 6 x 16 mm flange bolts.
32. Attach the trailer socket harness to the trailer hitch with one wire tie.

33. Locate and remove the grommet from the bottom of the body panel.

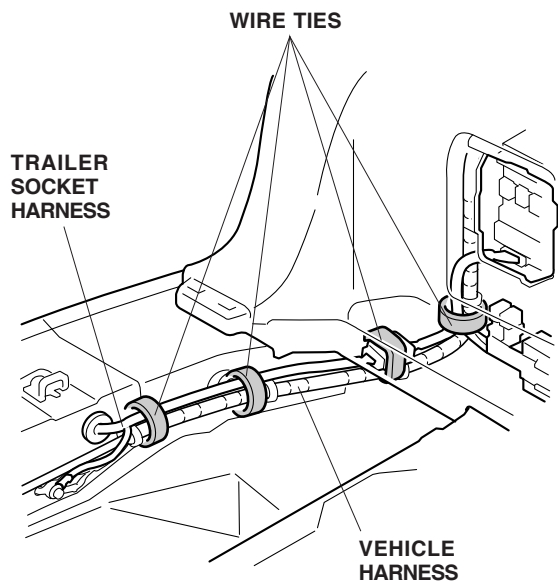


34. Route the trailer socket 8-pin connector up through the hole in the bottom body panel, and through the hole in the rear panel.
35. Pull the first grommet through the hole in the bottom body panel, and seat the first grommet in the rear panel hole. Seat the second grommet in the bottom body panel hole. Take care not to pull too hard on the harness while installing the grommets.

- Remove the vehicle ground bolt, then secure the trailer socket ground terminal using the ground bolt.



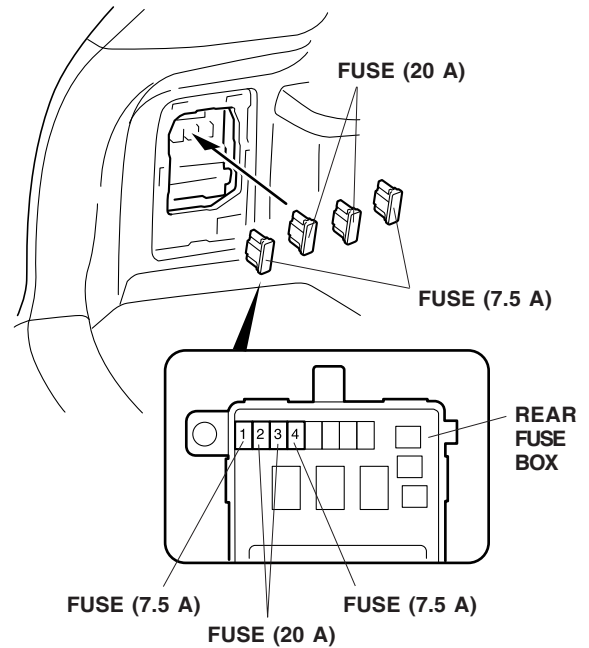
- Plug the control unit harness 8-pin connector into the trailer socket 8-pin connector.
- Secure the trailer socket harness to the vehicle harness with four wire ties in the areas shown.



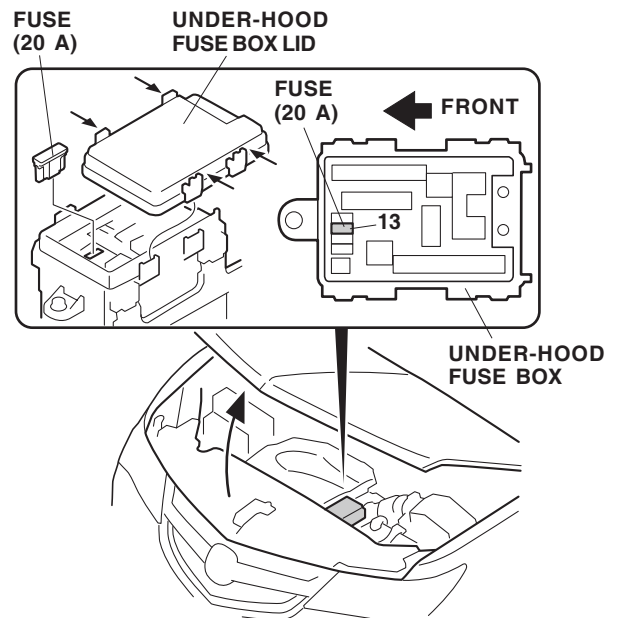
- Reinstall the vehicle unit.

## Installing the Fuses

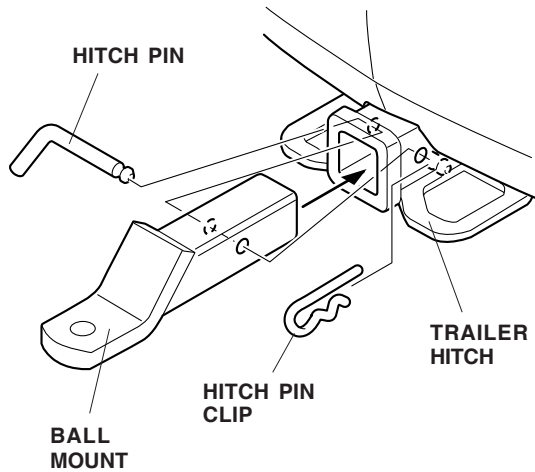
- Install two 20 A fuses and two 7.5 A fuses into the slots in the rear fuse box.



- Open the hood. Locate and open the under-hood fuse box lid, then install a 20 A fuse into the slot in the fuse box. Reinstall the under-hood fuse box lid.



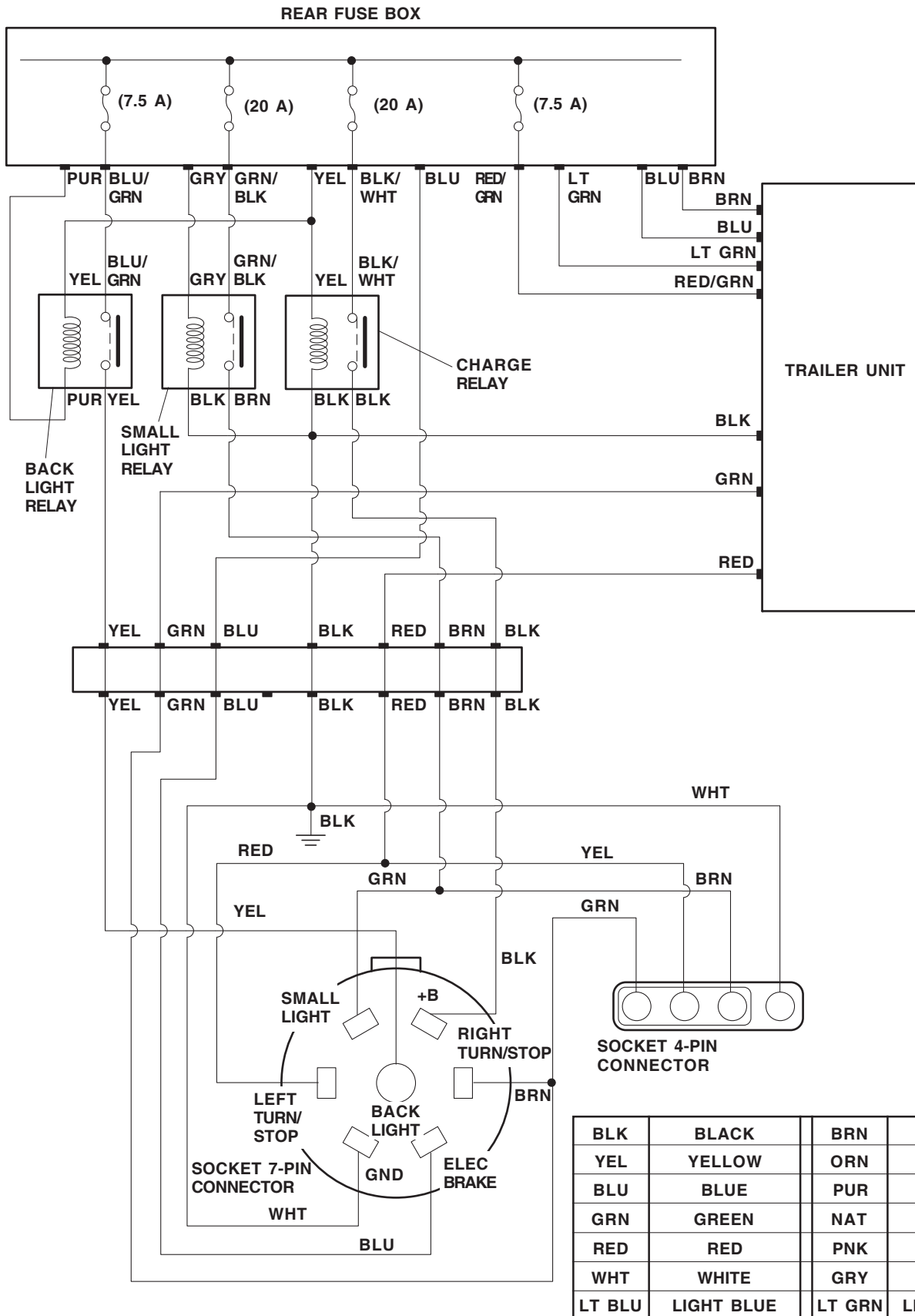
42. Reinstall the rear bumper. Have an assistant help you when installing the rear bumper. Check that all clips and retaining tabs are installed securely.
43. Slide the ball mount into the trailer hitch. Align the hole in the trailer hitch with the hole in the ball mount, then insert the hitch pin into the hole. Secure the hitch pin with the hitch pin clip.



44. Check that all wire harnesses and cables are routed properly and that all connectors are plugged in.
45. Reinstall all removed parts. Check that all clips and fasteners are installed securely.
46. Reconnect the negative cable to the battery. Check that the electrical accessory and other electrical systems function properly.
47. Enter the customer's radio anti-theft code, and reset the radio station presets.
48. Reset the clock.
49. Check the operation of the trailer harness according to the accessory user's information manual supplied.

**NOTE:** After about 620 miles (1,000 km) of towing, recheck the torque of the trailer hitch bolts.

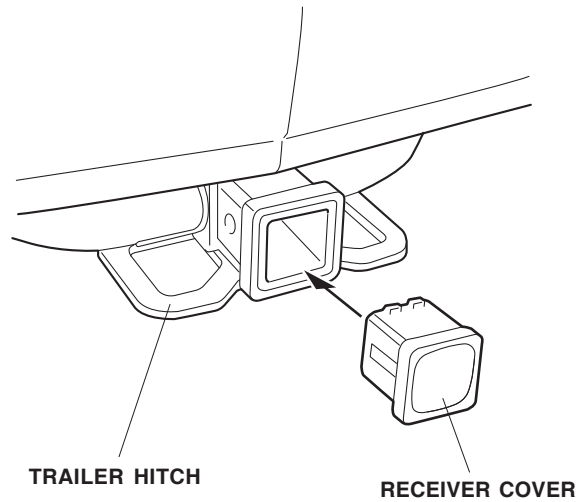
# CIRCUIT DIAGRAM



**Put a Copy of This Page in the Glove Box for Your Client**

**Installing the Receiver Cover**

Whenever you remove the hitch pin clip, the hitch pin, and the ball mount, securely store them in the cargo area. Then install the receiver cover into the opening at the end of the trailer hitch. When you reinstall the ball mount, store the receiver cover in the cargo area.



**Subharness Information**

This subharness is designed for use with an electric brake controller. Refer to the accessory user's information manual for detailed information about using this subharness.

