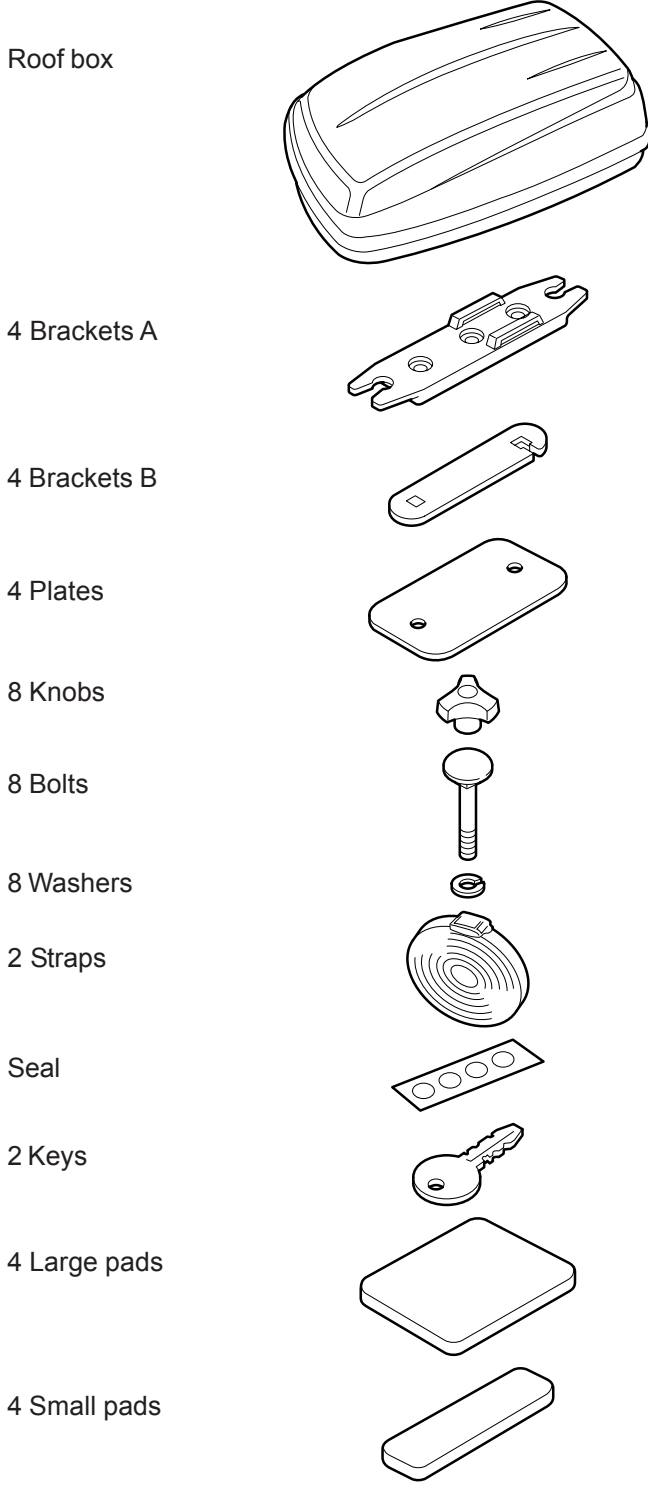


<h1>INSTALLATION INSTRUCTIONS</h1>	Accessory ROOF BOX (SHORT) P/N 08L20-TA1-200	Application 2007 MDX	Publications No. BII 33874
			Issue Date OCT 2006

PARTS LIST



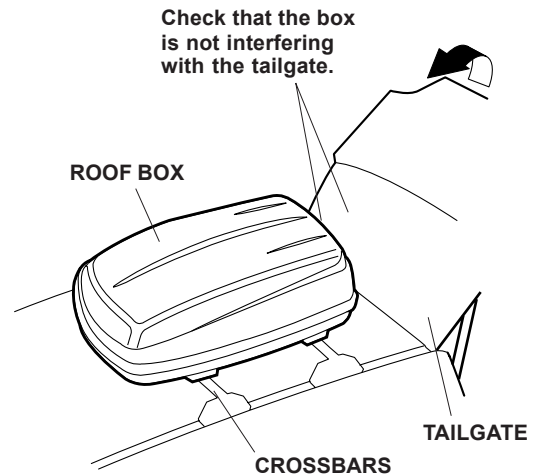
SUPPLIES REQUIRED

- Isopropyl alcohol
- Shop towel

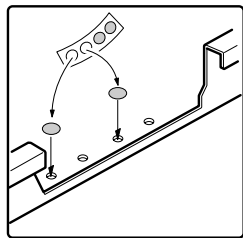
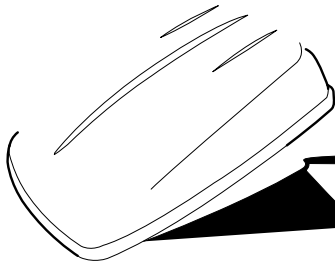
INSTALLATION

NOTE:

- Be careful not to damage the roof and other finished surfaces of the body when installing the roof box.
 - An Acura roof rack is required to install the roof box.
 - The maximum load capacity for roof racks vary from model to model. Check the vehicle owner's manual, the roof rack installation instructions, or the load label on the rack, for the roof rack load capacity.
 - The maximum load capacity for the roof box is 110 lb (50 kg); approximate roof box weight is 29 lb (13 kg).
 - Do not allow the combined weight of the roof box and cargo to exceed the carrying capacity of the roof rack.
1. With the help of an assistant, carefully place the box on the crossbars. Open the tailgate to make sure that the box is not interfering with the tailgate.



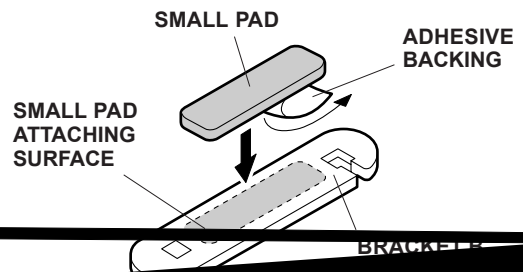
2. Open the roof box, and align the holes in the plate with the mounting location at the forward crossbar. The plate is located at the front of the base of the roof box.



040M

3. Attach an adhesive seal over each of the four unused mounting holes (two on each side) at the rear of the base of the box. The seals will help prevent water from entering the roof box.

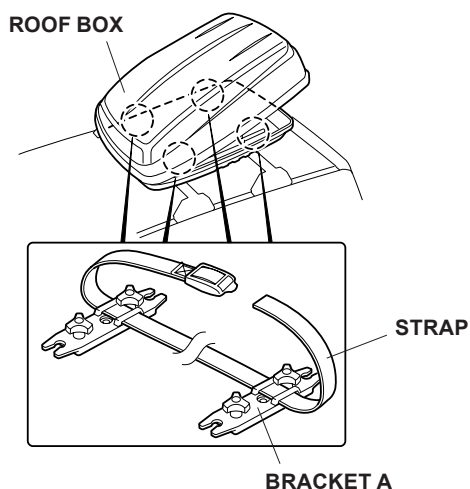
4. Using isopropyl alcohol on a shop towel, clean four brackets B where the small pads will attach. Remove the adhesive backings from the small pads, and attach them to the brackets B.



LARGE PAD ATTACHING SURFACE

5. Using isopropyl alcohol on a shop towel, clean the four plates where the large pads will attach. Remove the adhesive backings from the large pads, and attach them to the plates.

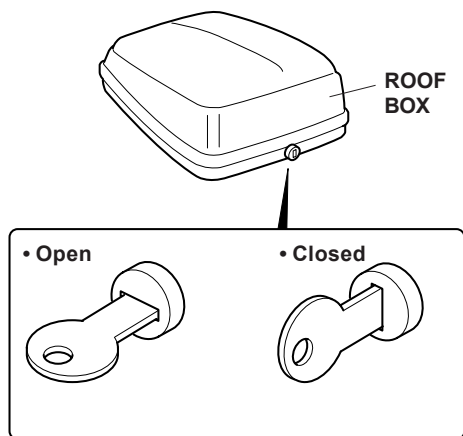
10. Insert the straps through the eyelets on bracket A, and attach the straps together.



USE AND CARE

Unlocking/Locking the Roof Box

Unlocking: Locate the key attached to the inside of the roof box. Insert the key into the lock, and turn it counterclockwise to unlock. Press the center button lifting the lid of the roof box.



Locking: Press down on the lid. There should be an audible click. Be sure the lid is latched by attempting to lift the lid. Turn the key clockwise to lock the roof box. Remove the key while not in use. Be sure the straps are not outside of the roof box.

LOADING THE ROOF BOX

Load weight equally on both sides to minimize imbalance. Do not overload the roof box; the maximum allowable load is 110 lb (50 kg).

Loads must be secured with the straps to prevent them from sliding. Check the fasteners at regular intervals.