



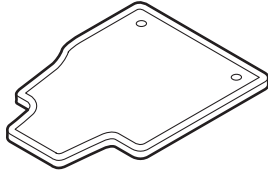
ACURA INSTALLATION INSTRUCTIONS

Accessory	Application	Publications No.
ALL SEASON MATS	2007 MDX	BII 32740
		Issue Date
		OCT 2006

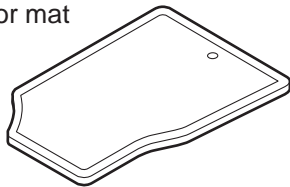
Put this instructions in the glove box with the vehicle owner's manual.

PARTS LIST

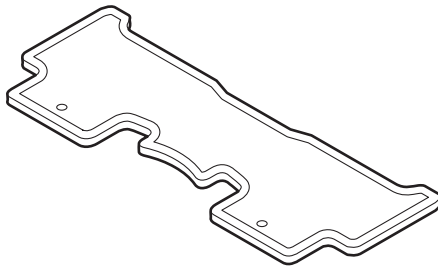
Driver's side front floor mat



Passenger's side front floor mat



Rear floor mat

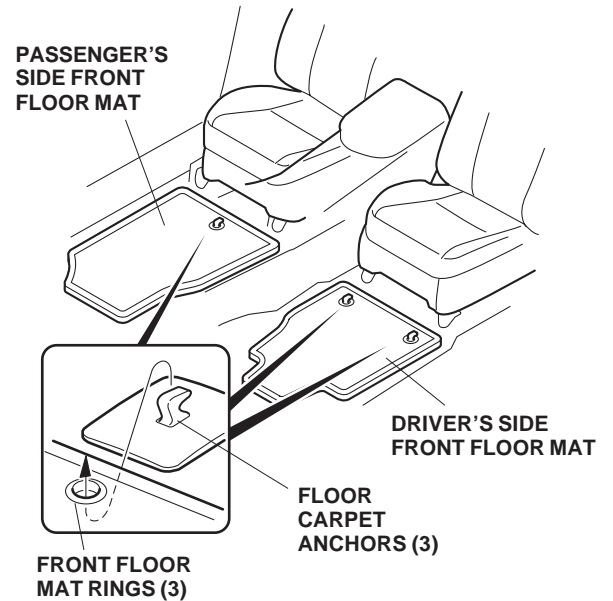


INSTALLATION

NOTE:

- Before installing, identify each floor mat.
- Remove the standard floor mats before installing these new floor mats.
- The floor mat anchors are required for the driver's side of the car; the anchor prevents the driver's side floor mat from sliding forward and interfering with the pedals.

1. Install the driver's side front floor mat by placing the two rings in the floor mat around the two anchors on the floor carpet.



2. Install the passenger's side front floor mat by placing the ring in the floor mat around one anchor on the floor carpet.
3. Install the rear floor mat by placing the two rings in the floor mat around the two anchors on the floor carpet.

