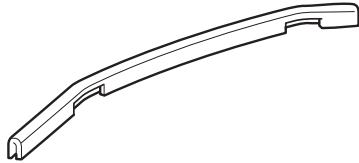
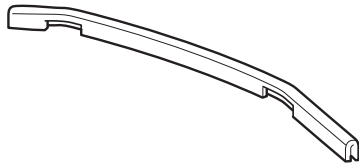


PARTS LIST

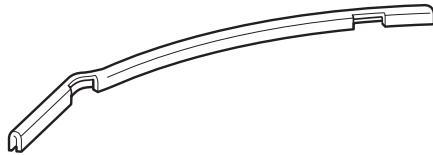
Right front door
edge guard



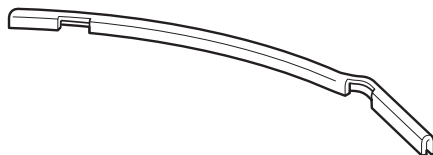
Left front door
edge guard



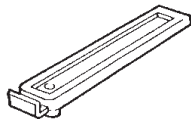
Right rear door
edge guard



Left rear door
edge guard



Seam sealant cutting tool



TOOLS AND SUPPLIES REQUIRED

Rubber mallet
Felt-tip pen
Touch-up paint

INSTALLATION

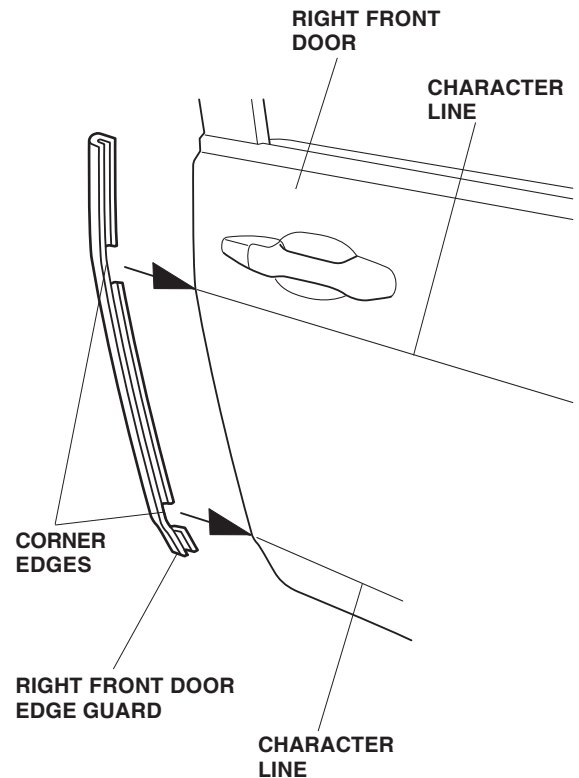
Customer Information: The information in this installation instruction is intended for use only by skilled technicians who have the proper tools, equipment, and training to correctly and safely add equipment to your vehicle. These procedures should not be attempted by “do-it-yourselfers.”

NOTE: This installation instruction shows the right door edge guards being installed. The same procedure applies to installing the left door edge guards.

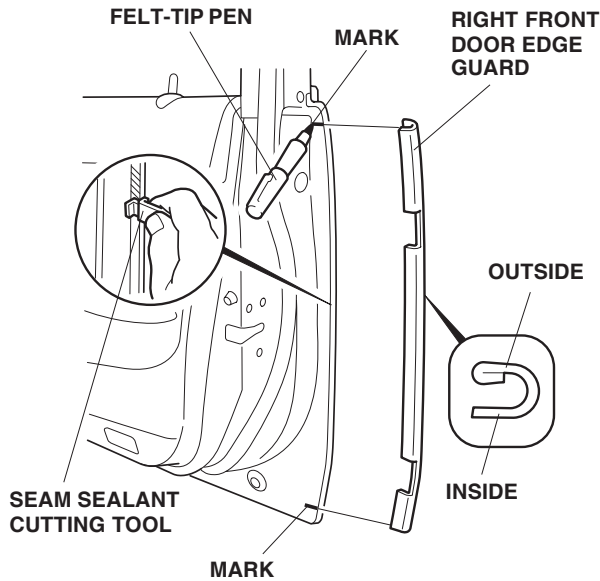
1. Clean and wax the area to be covered with a high-quality paste wax.
2. Identify each door edge guard by holding it up to the door and matching its contour with the door edge.

Installing the Front Door Edge Guards

3. Align the two corner edges of the right front door edge guard with the rear edge of the character lines on the front door as shown.



- Using a felt-tip pen, mark the inside edge of the front door at the upper and lower ends of the right front door edge guard.

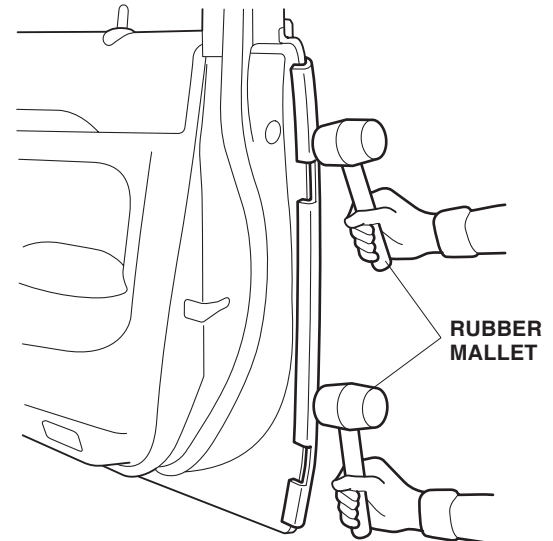
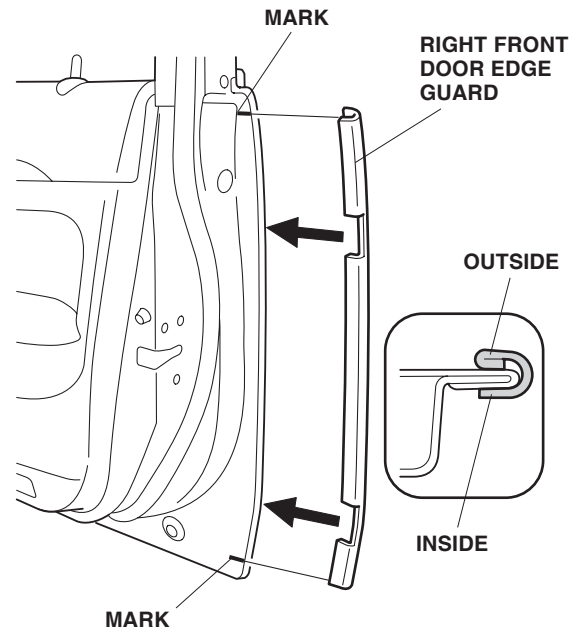


- Position the cutting edge of the seam sealant cutting tool against the door edge, and trim the seam sealant between the marks at the top and bottom of the door edge.

NOTE: The cutting tool only cuts in one direction. Move it upward on the right side of the car and downward on the left side.

- Apply touch-up paint to the door, and let it dry.

- Position the right front door edge guard on the door edge, and carefully and lightly tap it into position on the door edge with a rubber mallet, starting with the corner edge.



- Repeat steps 3 thru 7 to install the left front door edge guard.

Installing the Rear Door Edge Guards

- Repeat steps 3 thru 7 to install both rear door edge guards.