



INSTALLATION INSTRUCTIONS

Accessory

CARGO NET
P/N 08L96-SEC-200

Application

2006 TSX

Publications No.

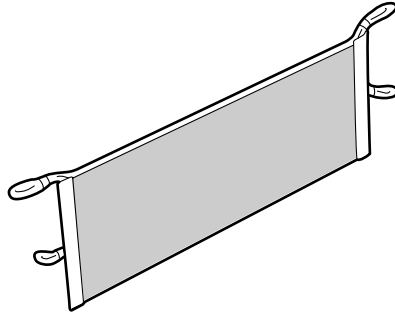
BII 31323

Issue Date

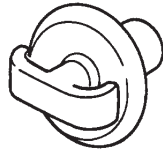
OCT 2005

PARTS LIST

Cargo net



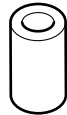
"A" Hook



3 "B" Hooks



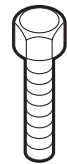
Collar (long)



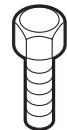
Collar (short)



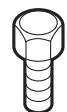
Bolt, 40 mm



Bolt, 25 mm



2 Bolts, 20 mm



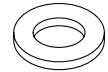
4 Nuts



5 Washers



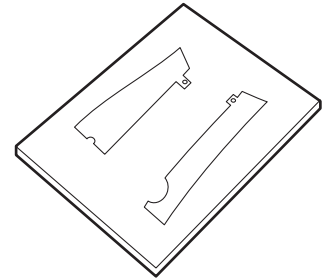
Large washer



4 Spring washers



Template



TOOLS AND SUPPLIES REQUIRED

10 mm Box wrench

Ratchet

10 mm Socket

Drill

15 mm Hole saw

Felt-tip pen

Clip remover

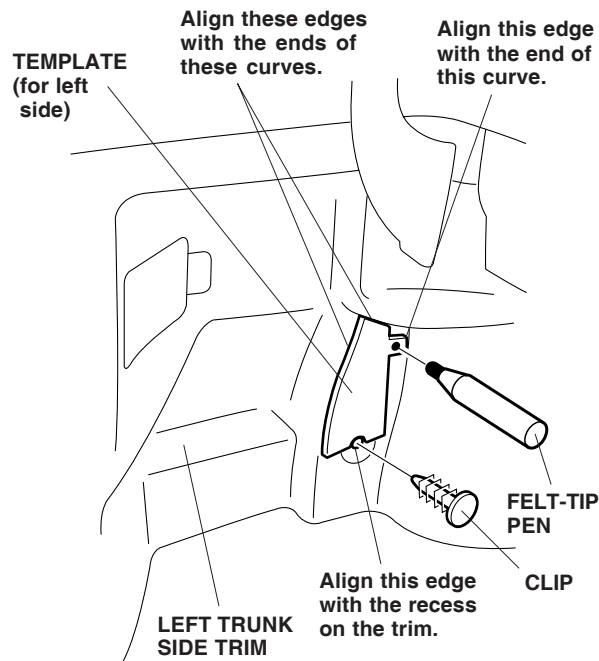
INSTALLATION

Customer Information: The information in this installation instruction is intended for use only by skilled technicians who have the proper tools, equipment, and training to correctly and safely add equipment to your vehicle. These procedures should not be attempted by "do-it-yourselfers."

NOTE: Be careful not to damage the trunk side linings.

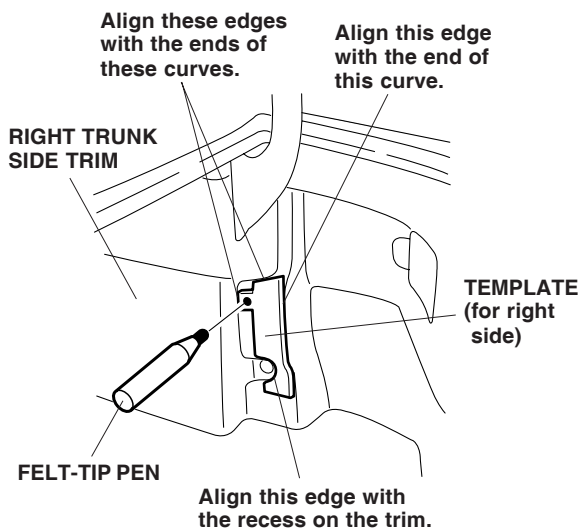
1. Get the template from the kit and separate the right template from the left one by cutting along the mark with a utility knife.
2. Remove the lower clip from the left trunk side trim as shown.
3. Position the left template on the left trunk side trim and mark the trim with a felt-tip pen as indicated on the template.

Left Side

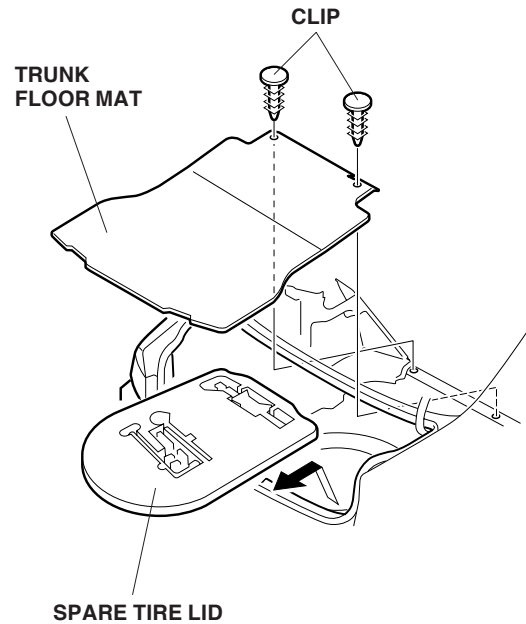


4. Mark the right trunk side trim using the same procedure.

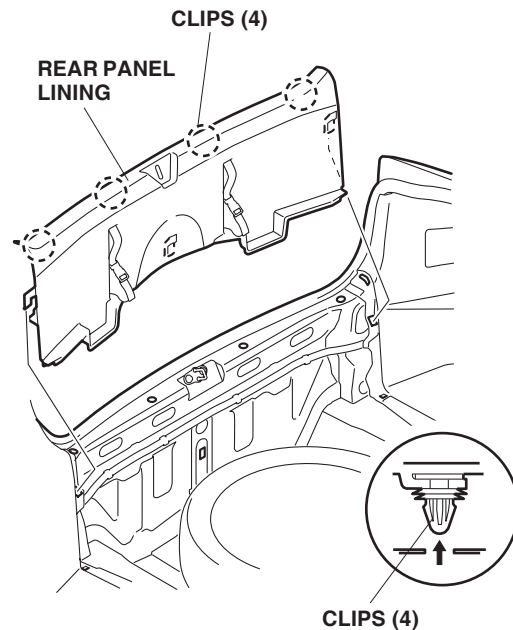
Right Side



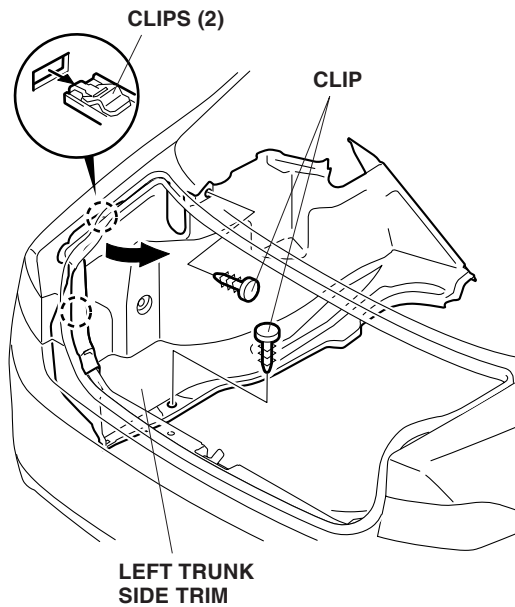
5. Remove the two clips that secure the trunk floor mat, and remove the floor mat. Take out the spare tire lid.



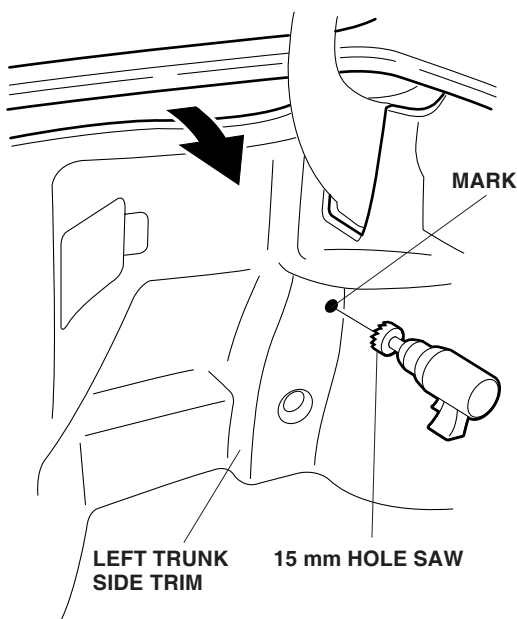
6. Pull the rear panel lining up to release the four clips. Remove the rear panel lining.



- Remove the two remaining clips that secure the left trunk side trim, then pull the lining out toward you to release the two clips on the back.

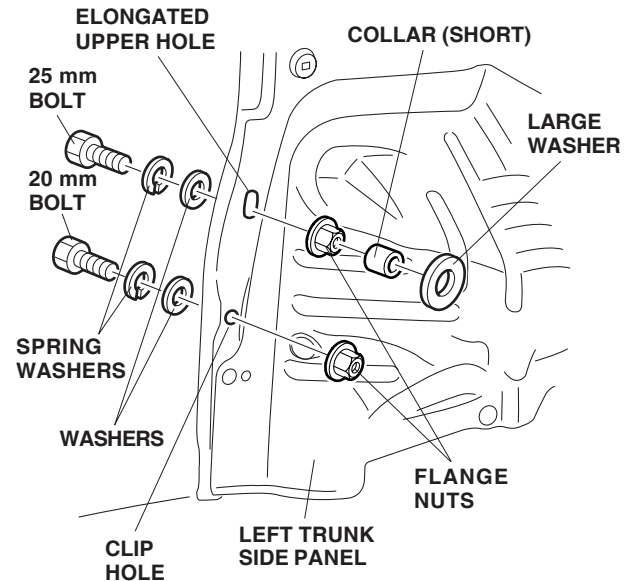


- Pull the left trunk side trim out in the direction shown. While wearing eye protection, drill a 15 mm hole through the left trunk side trim at the mark using a hole saw. Take care not to damage the inner panel and wire harnesses under the trim.

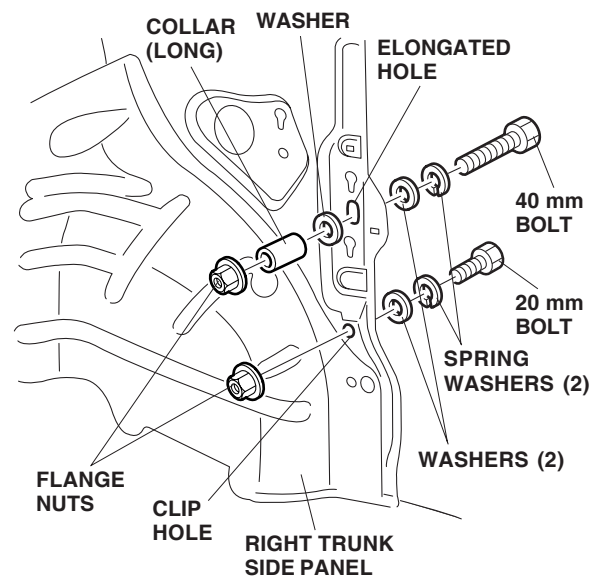


- Repeat steps 7 and 8 to drill the right trunk side trim.

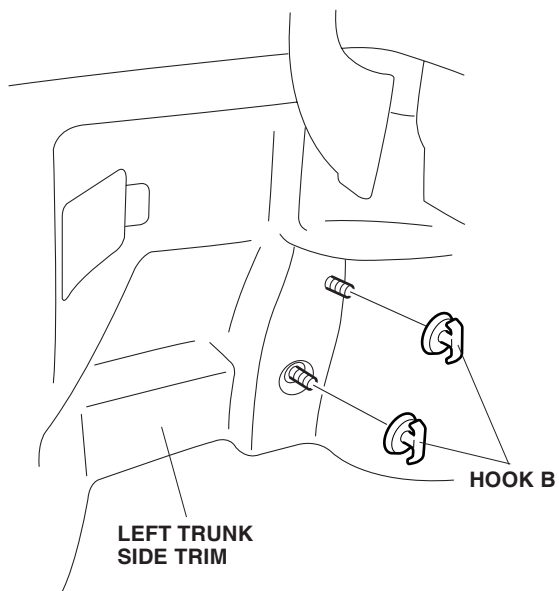
- Install the 25 mm bolt with spring washer and washer in the lower end of the elongated upper hole in the left trunk side panel. Install a flange nut, collar (short), and large washer on the end of the 25 mm bolt. Install the 20 mm bolt with spring washer and washer in the clip hole in the left trunk side panel. Then install a flange nut on the end of the 20 mm bolt. Tighten the nuts securely.



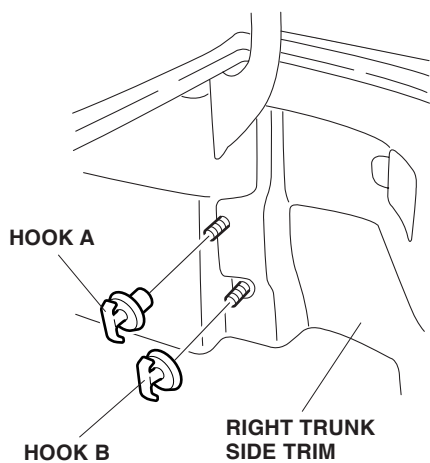
- Install the 40 mm bolt with spring washer and washer in the lower end of the upper elongated hole in the right trunk side panel. Install the washer, collar (long), and flange nut on the end of the 40 mm bolt. Install the 20 mm bolt with spring washer and washer in the clip hole in the left trunk side panel. Then install a flange nut on the end of the 20 mm bolt. Tighten the nuts securely.



12. Reinstall the left trunk side trim.
13. Thread two "B" hooks onto the end of the bolts on the left trunk side trim as shown.



14. Reinstall the right trunk side trim.
15. Thread one "A" and "B" hook onto the end of each bolt on the right trunk side trim.



16. Reinstall the spare tire lid and trunk floor mat.

17. Attach the cargo net to the "A" and "B" hooks as shown.

