



INSTALLATION INSTRUCTIONS

Accessory

FULL NOSE MASK
P/N 08P35-SEP-200

Application

2006 TL

Publications No.

BII 30916

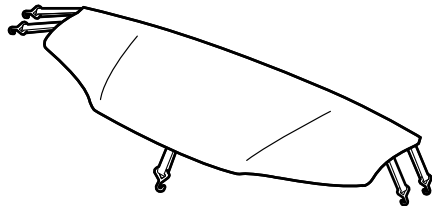
Issue Date

SEP 2005

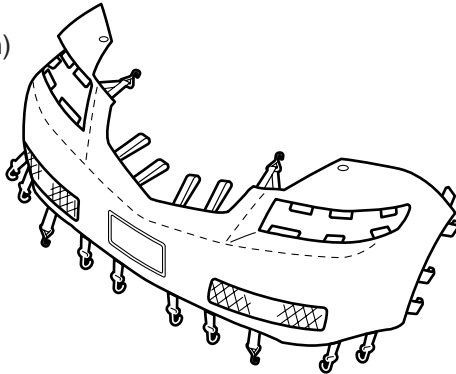
NOTE: A full nose mask cannot be used on a vehicle equipped with a front under spoiler.

PARTS LIST

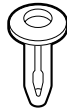
Mask
(hood section)



Mask
(bumper section)



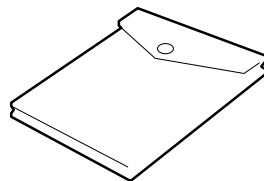
2 Clips



2 Snap screws



Storage bag



TOOLS AND SUPPLIES REQUIRED

Phillips screwdriver

Scissors

Clip remover

INSTALLATION

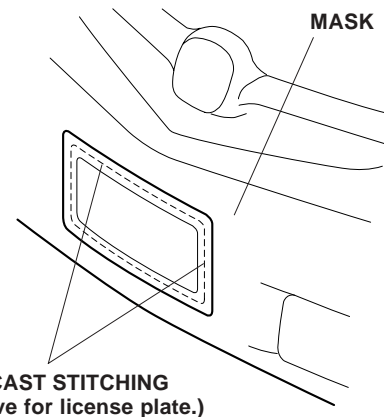
NOTE:

- Make sure the vehicle and the nose mask are clean and completely dry before installation. If moisture under the mask is allowed to dry, it may cloud the paint. If the mask gets wet, remove it and allow it to air-dry completely.
- Make sure any repainted surfaces are cured.
- Make sure the hood and nose of the vehicle have been waxed with a high-quality paste wax.
- Make sure to install the nose mask securely. If the nose mask starts to flap or comes loose while driving, safely pull off the highway, stop the vehicle, and secure or remove the mask.

Displaying the License Plate

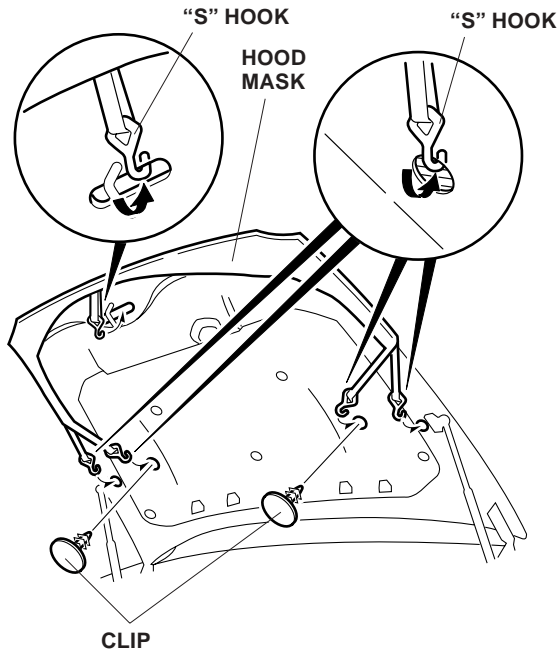
If your state law requires the display of both license plates, cut out the piece of the bumper section that covers the front license plate:

- Face the inside of the mask toward you.
- Carefully cut out the license plate section with scissors at the top seam, and remove the overcast stitching.



Installing the Hood Section

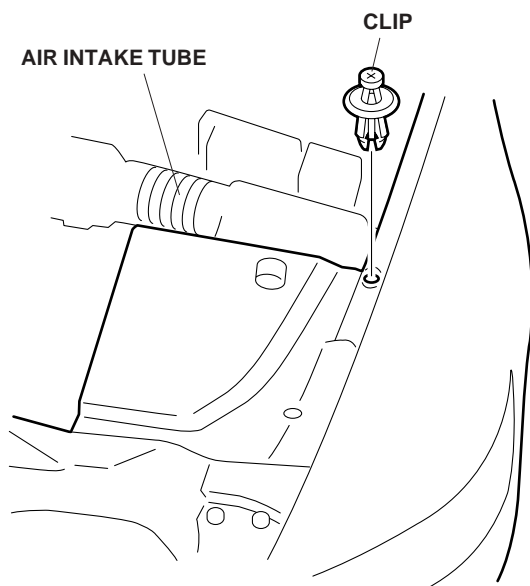
1. Open the hood. Remove two clips from the hood insulator.



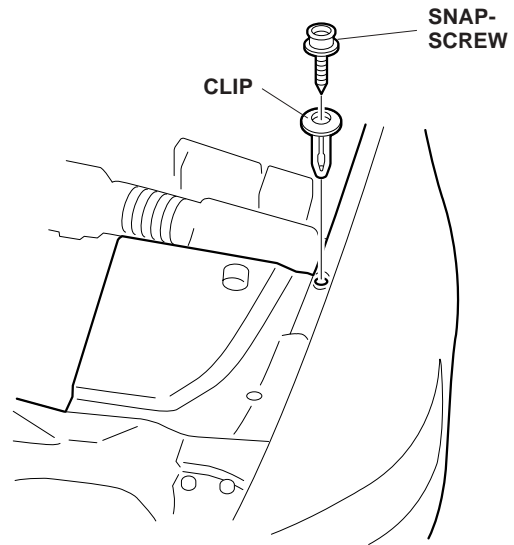
2. Fit the corners of the mask around the hood. Adjust the mask so that it fits smoothly over the edges. Attach the five "S" hooks to the hood.

Installing the Bumper Section

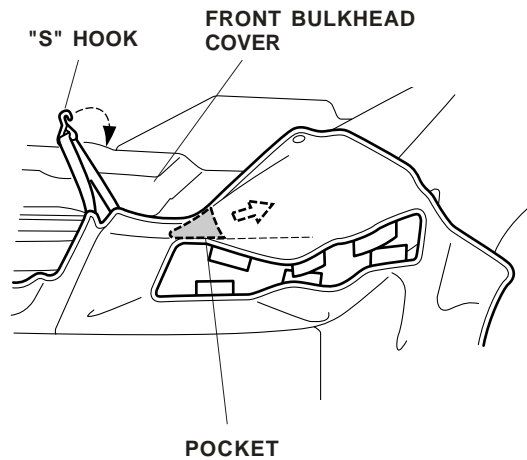
3. Using a Phillips screwdriver, remove the clip from the left front fender.



4. Install one new clip with a snap-screw into the hole where you removed the clip, and tighten the snap-screw.



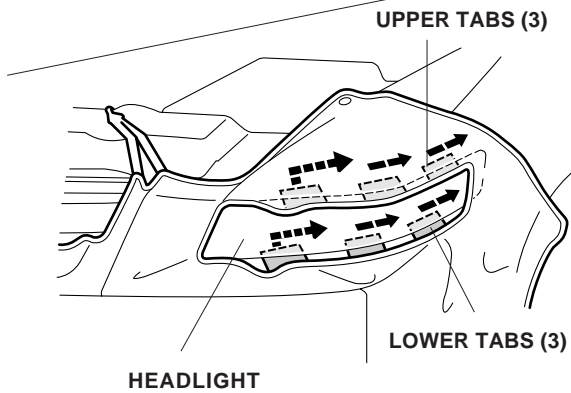
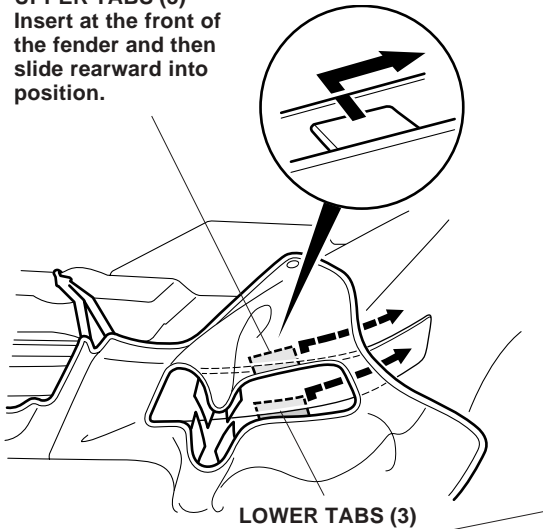
5. Repeat steps 3 and 4 to install a snap-screw on the right side of the vehicle.
6. Pull the mask toward the left fender, and slip the left pocket of the bumper section onto the left front corner of the fender.



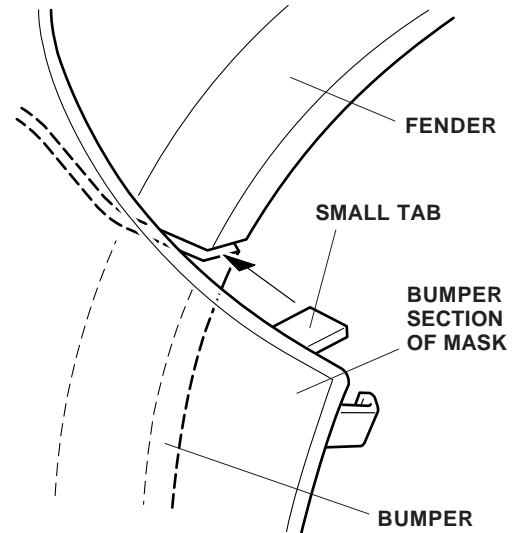
7. Attach the "S" hook to the edge of the radiator cover.

- Insert the six tabs into the clearance around the headlight. Start the upper tabs at the front of the headlight, and then slide the tabs rearward into position.

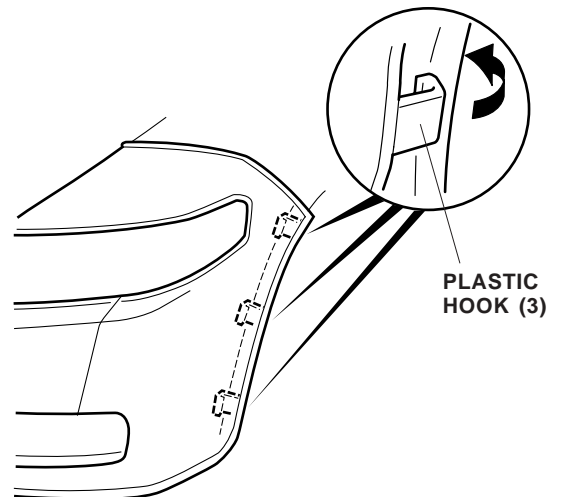
UPPER TABS (3)
Insert at the front of the fender and then slide rearward into position.



- At the fender/bumper area, insert the small tab from the mask between the bumper and the fender.

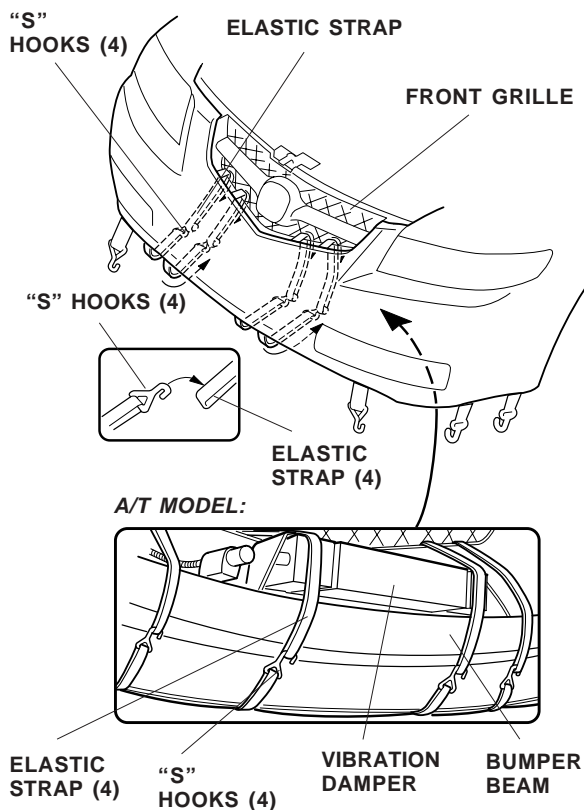


- Attach the three plastic hooks to the inner edge of the fenderwell.



- Repeat steps 6 thru 10 to attach the mask to the right side of the vehicle.

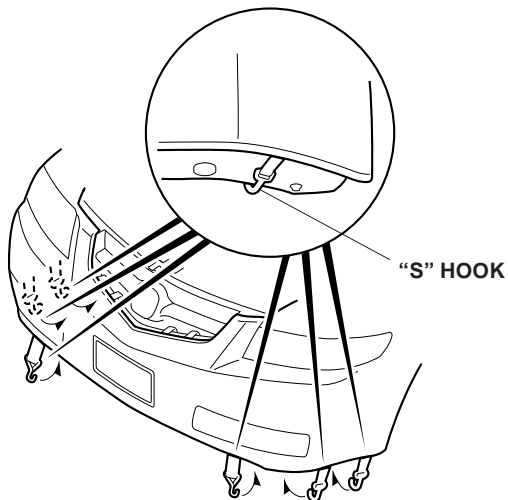
12. Route the four elastic straps down through the opening in the front grille area and behind the bumper.



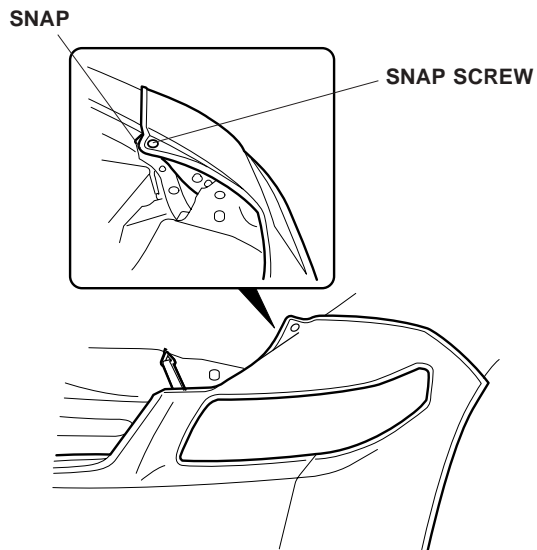
13. Attach the four "S" hooks on the bottom of the mask to the elastic straps.

NOTE: On A/T equipped vehicles, make sure the straps are over the vibration damper bracket, and **not** the vibration damper. Check that the left strap is over the corrugated tube from the outside air temperature sensor, and **not** the uncovered wire.

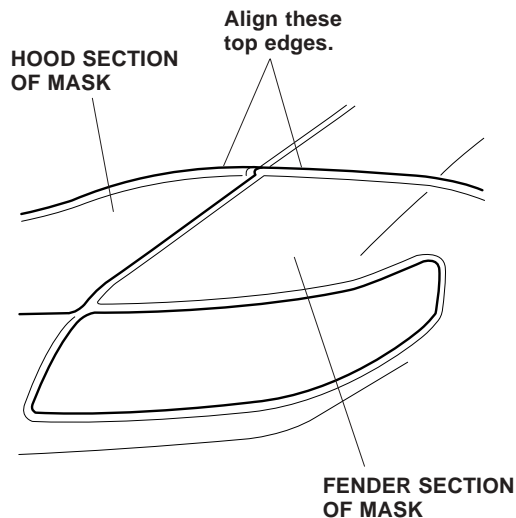
14. Attach the six outer "S" hooks to the bottom inside edge of the front bumper.



15. On each side of the vehicle, attach the snap from the mask to the snap-screws you installed in steps 4 and 5.



16. Close the hood. Align the top edge of the hood section with the top edge of the fender section.



17. Give these instructions, the two clips (removed in step 1), and the two expansion clips (removed in step 3) to your customer.

CLEANING THE NOSE MASK

Use a sponge or cloth and a solution of mild liquid dishwashing soap and water to clean the vinyl and the flannel backing. Rinse the mask completely with clean water, and hang it to dry, out of direct sunlight. Make sure the mask is completely dry before you reinstall it.