

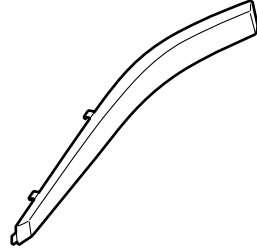
Accessory
DOOR VISOR P/N 08R04-SEP-200

Application
2006 TL

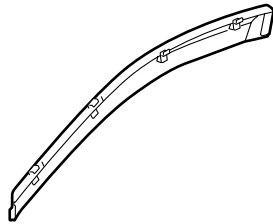
Publications No.
BII 30911
Issue Date
SEP 2005

PARTS LIST

Door visor (front left)



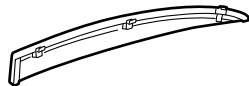
Door visor (front right)



Door visor (rear left)



Door visor (rear right)



TOOLS REQUIRED

- Isopropyl alcohol
- Shop towel
- Masking tape

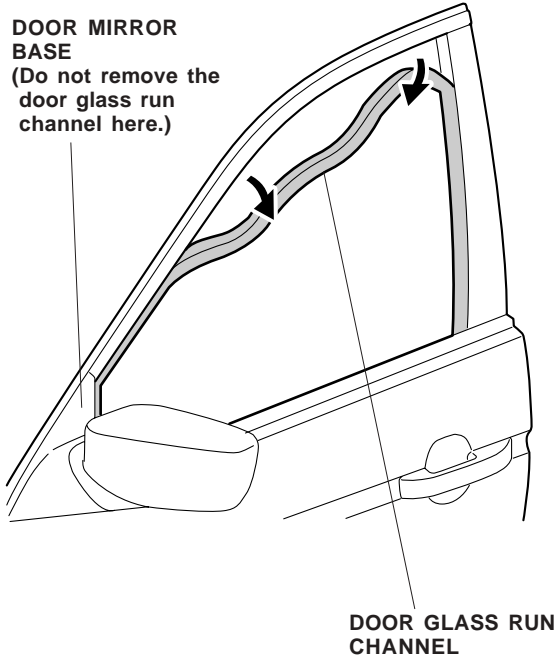
INSTALLATION

NOTE:

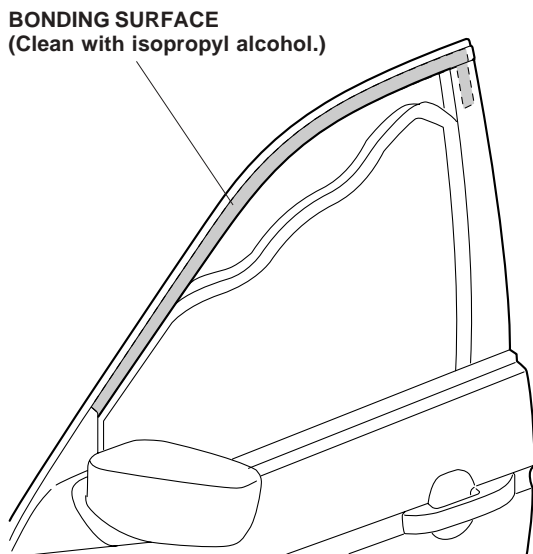
- These instructions show the left door visors being installed. The same procedure applies to installing of the right door visors.
- Be careful not to damage the paint finish and the glass run channels when installing the door visors.
- Handle the door visors with care. They are not designed to absorb shock or impact.
- This door visor kit should only be installed if the ambient air temperature is 60°F (15°C) or above.
- To allow the adhesive to cure, do not wash the vehicle for 24 hours.

Installing the Front Door Visor

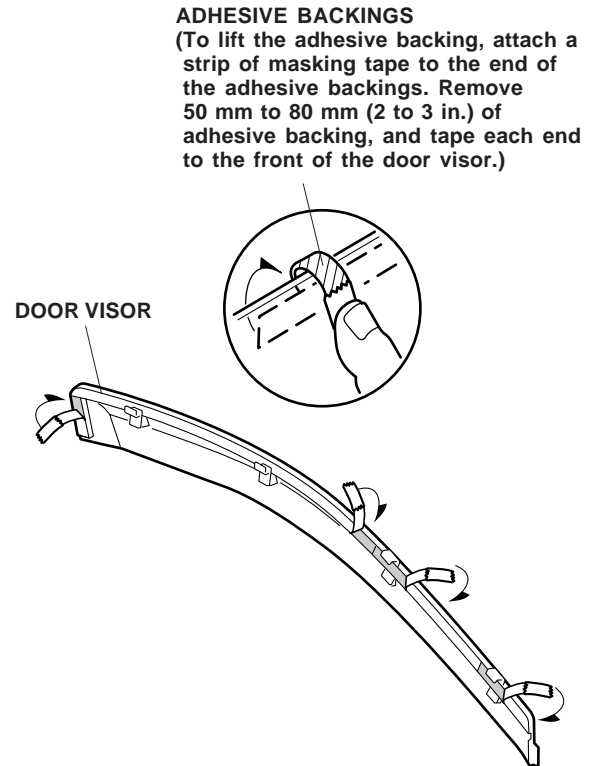
1. Lower the front door glass completely. Remove the door glass run channel from the door sash in the area shown. Do not remove the glass run channel from the door mirror base.



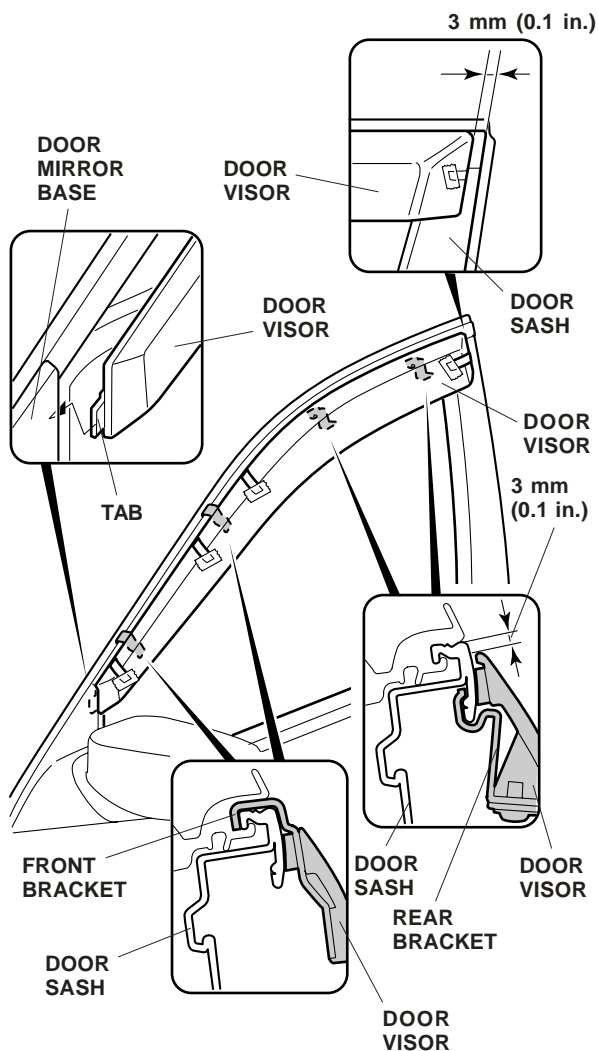
2. Using isopropyl alcohol on a shop towel, clean the shaded area of the door sash.



3. Attach a strip of the masking tape to the ends of the adhesive backings, and remove 50 mm to 80 mm (2 to 3 in.) from the ends. Fold back the ends and tape the ends to the front of the door visor. Note the direction of the adhesive backings.

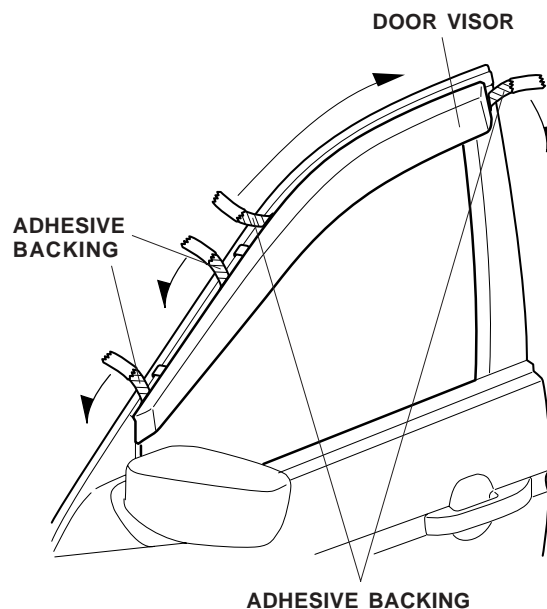


- Attach the two front brackets of the door visor to the door sash, and push the two rear brackets over the door sash. Insert the front tab under the door mirror base.

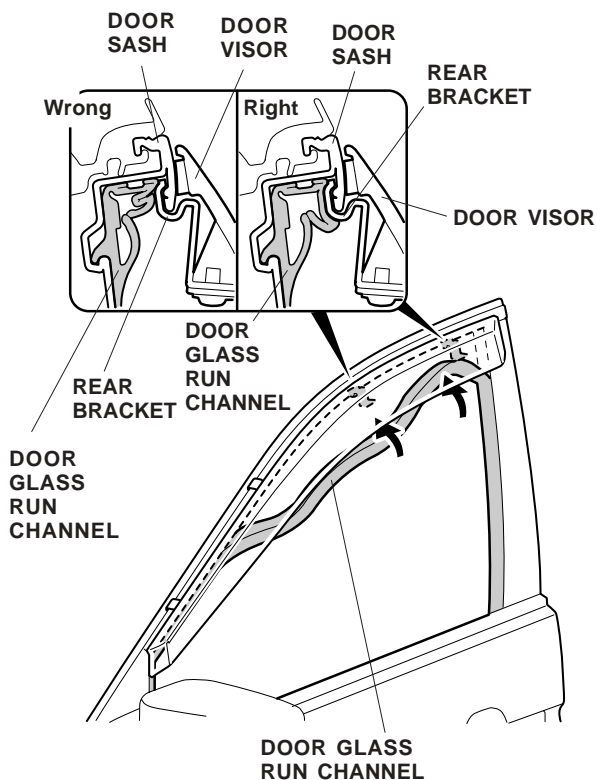


- Adjust the location of the door visor so that the clearance between the door visor and door sash is 3 mm (0.1 in.) at the top, and 3 mm (0.1 in.) at the back. There should be no clearance between the front tab and the visor.

- While holding light pressure on the door visor, carefully remove the adhesive backing in the directions shown. Using the palm of your hand, hold the door visor firmly against the door for 30 seconds.

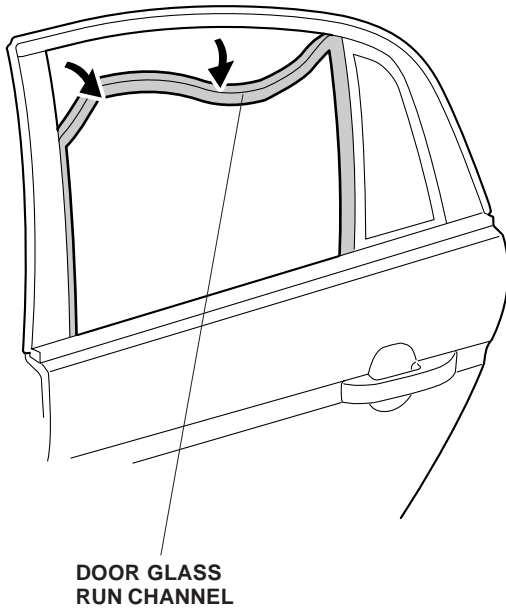


- Reinstall the door glass run channel. Seat the glass run channel properly around the four brackets.

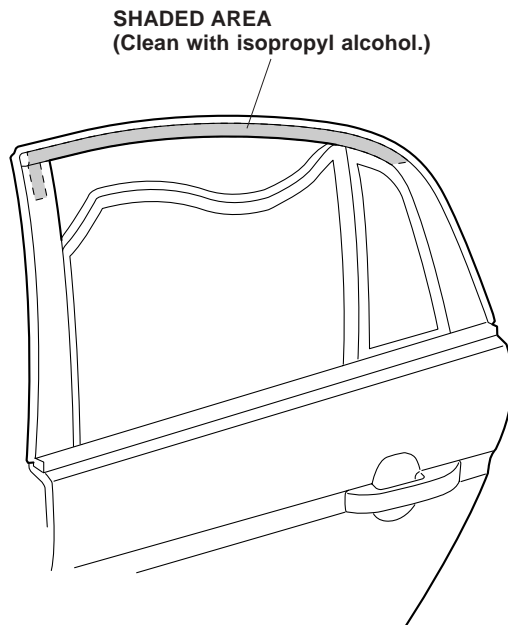


Installing the Rear Door Visor

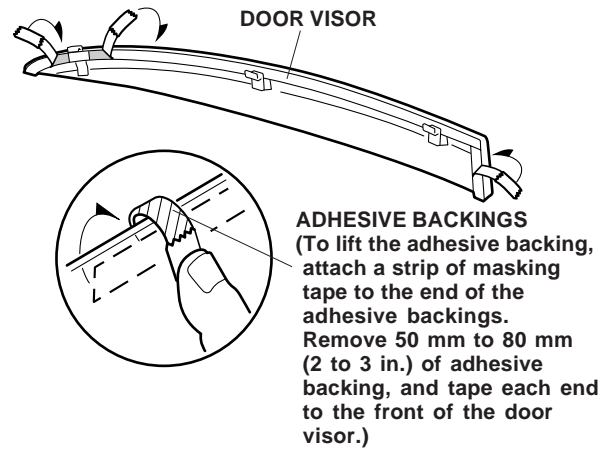
- Lower the rear door glass completely. Remove the door glass run channel from the door sash in the areas shown.



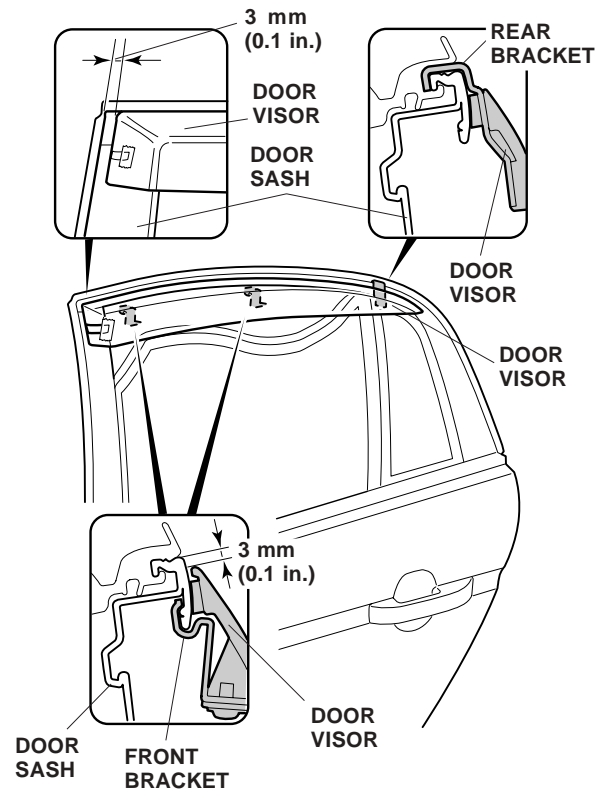
- Using isopropyl alcohol on a shop towel, clean the shaded area of the door sash.



- Attach a strip of the masking tape to the ends of the three adhesive backings, and remove 50 mm to 80 mm (2 to 3 in.) of adhesive backing. Fold back the ends, and tape the ends to the front of the door visor.

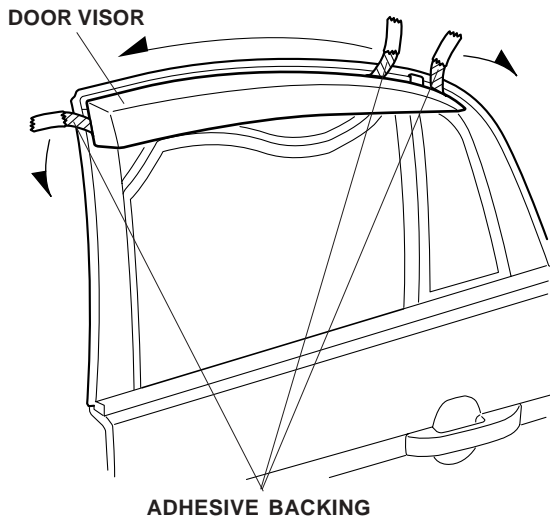


- Attach the rear bracket of the door visor to the door sash, and push the two front brackets on the door sash.

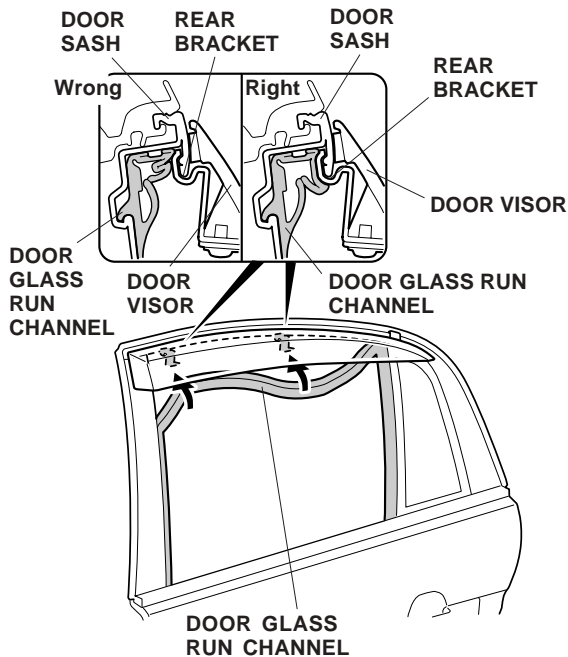


- Adjust the location of the door visor so that the clearance between the door visor and door sash is 3 mm (0.1 in.) at the front end, and 3 mm (0.1 in.) at the top.

- While holding light pressure on the door visor, carefully remove the adhesive backing in the directions shown. Using the palm of your hand, hold the door visor firmly against the door for 30 seconds.



- Reinstall the door glass run channel. Seat the glass run channel properly around the four brackets.



- Repeat steps 1 through 14 to install the door visors on the right side of the vehicle.
- Raise and lower all the windows several times to seat the glass run channels.

USE AND CARE

- To clean the door visor, wipe it with a soft cloth dampened with clean water.
- To remove dust and dirt, clean with a solution of liquid dishwashing soap and water using a soft cloth or chamois. Never use organic solvents such as thinner, benzene, alcohol, etc., or cleaners containing abrasive compounds.