



# INSTALLATION INSTRUCTIONS

Accessory
<b>SIDE UNDER SPOILER</b>

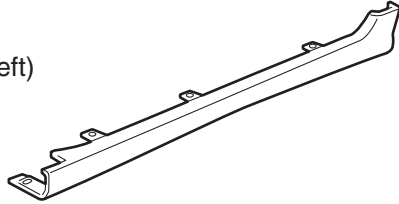
Application
<b>2005 TSX</b>

Publications No.
<b>BII 28369</b>
Issue Date
<b>OCT 2004</b>

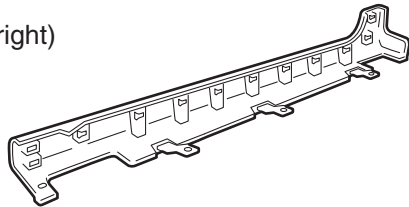
**NOTE:** Side under spoilers *cannot* be installed on a vehicle equipped with splash guards.

## PARTS LIST

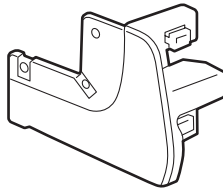
Side under spoiler (left)



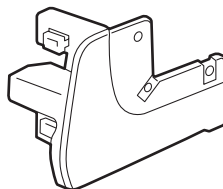
Side under spoiler (right)



Trim (left)



Trim (right)



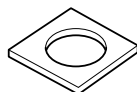
2 Bolts



4 Washers



20 Seals



## TOOLS AND SUPPLIES REQUIRED

Phillips screwdriver

Flat-tip screwdriver

Clip remover

Ratchet

10 mm Socket

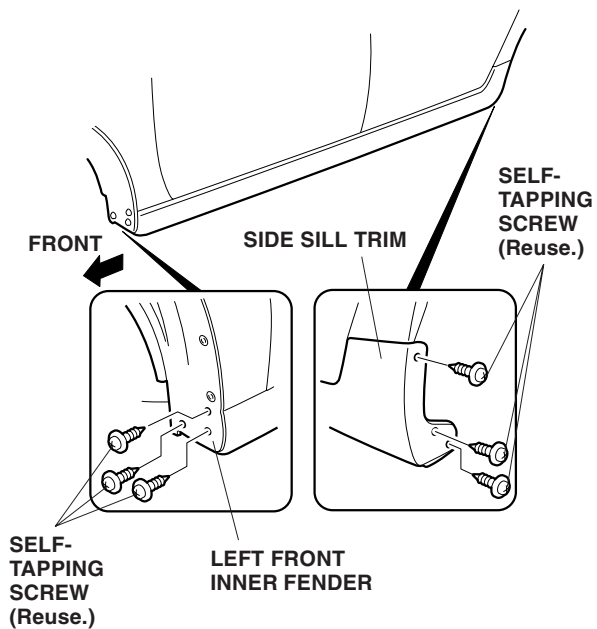
## INSTALLATION

**Customer Information:** The information in this installation instruction is intended for use only by skilled technicians who have the proper tools, equipment, and training to correctly and safely add equipment to your vehicle. These procedures should not be attempted by “do-it-yourselfers.”

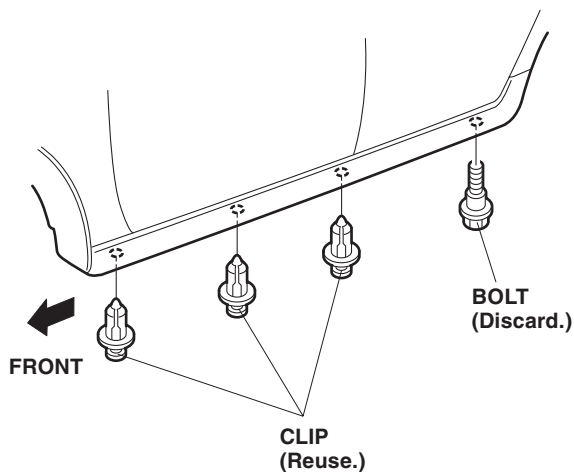
### NOTE:

- These instructions are for the left side under spoiler. The same procedure applies to the right side under spoiler.
- Be careful not to damage the body paint finish.
- This side under spoiler kit should be installed only if the ambient air temperature is 60°F (15°C) or above.

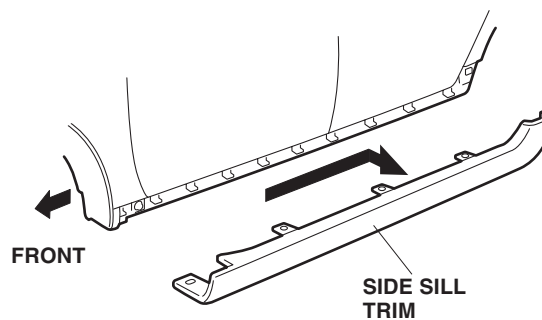
1. Remove the three self-tapping screws from the left front inner fender and the three self-tapping screws from the rear end of the side sill trim.



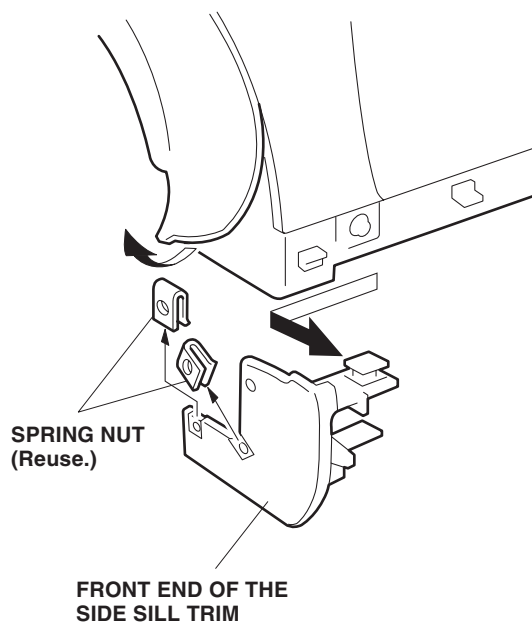
2. Remove the bolt and the three clips from the side sill trim.



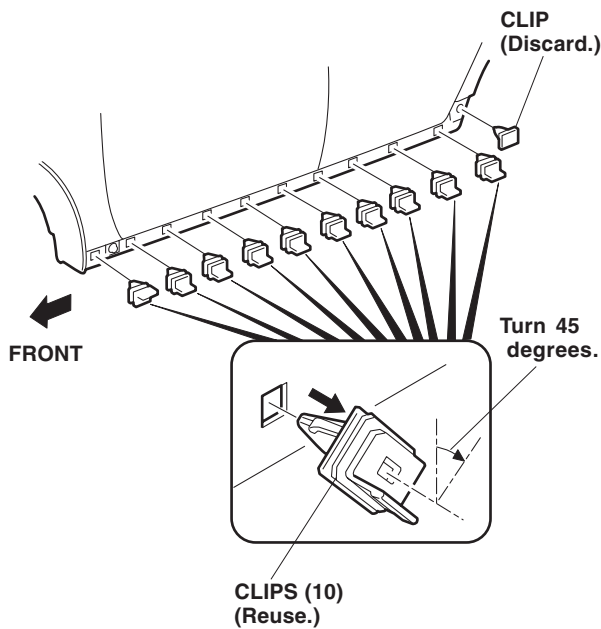
3. Slide the side sill trim to the rear and then pull it toward you to remove it.



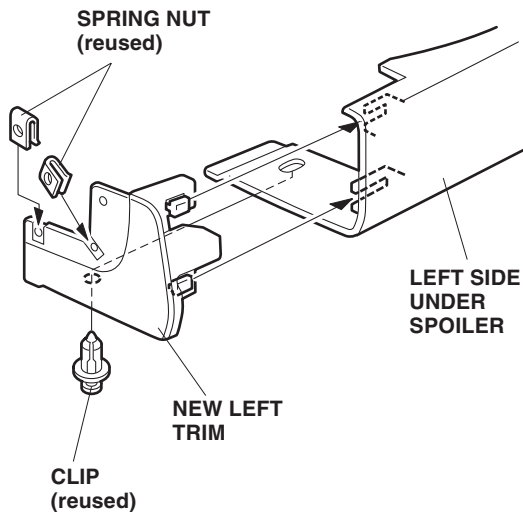
4. Slide the front end of the side sill trim to the front, and then pull it toward you to remove it.
5. Remove the two spring nuts from the front end of the side sill trim.



- Remove the remaining 11 clips from the car and note the direction of installation. Except for the clip at the rear end, remove the clips by turning them 45 degrees.

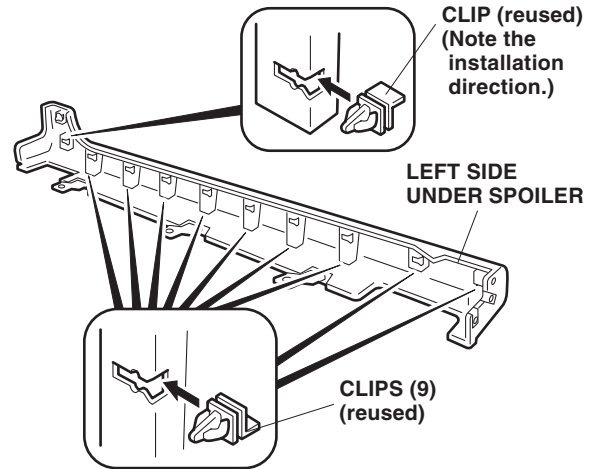


- Attach the two spring nuts removed in step 5 to the left trim.

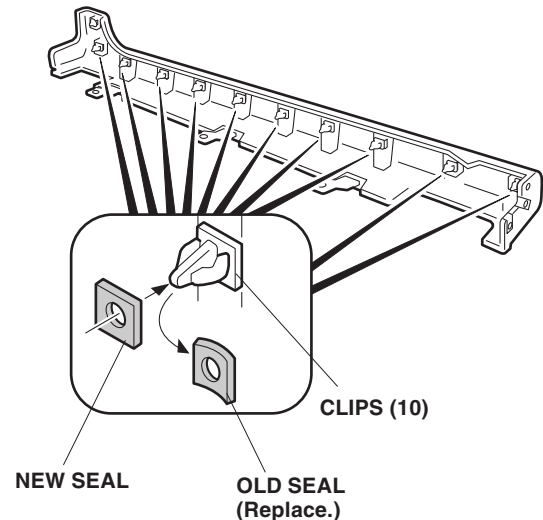


- Match the left trim to the left side under spoiler, and install one clip (reused).

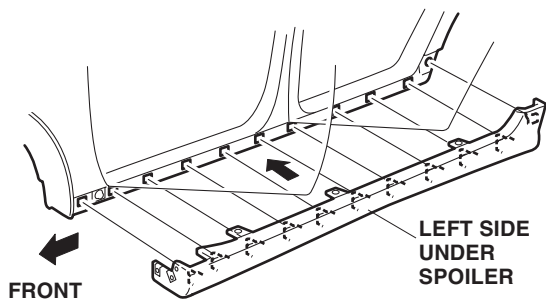
- Install the 10 clips removed in step 6 to the left side under spoiler. Take care to install the clips at the right position and in the right direction.



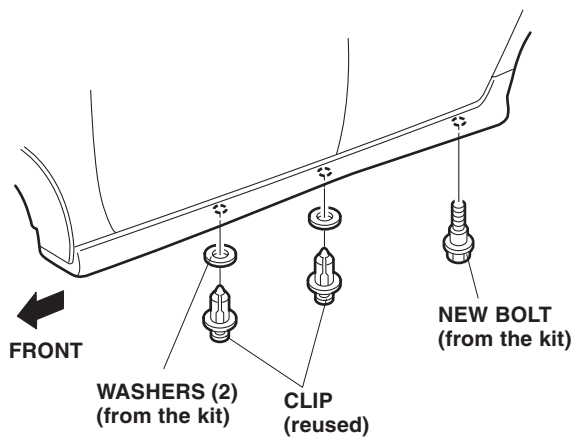
- Replace the old seals on the 10 clips with the new seals from the kit.



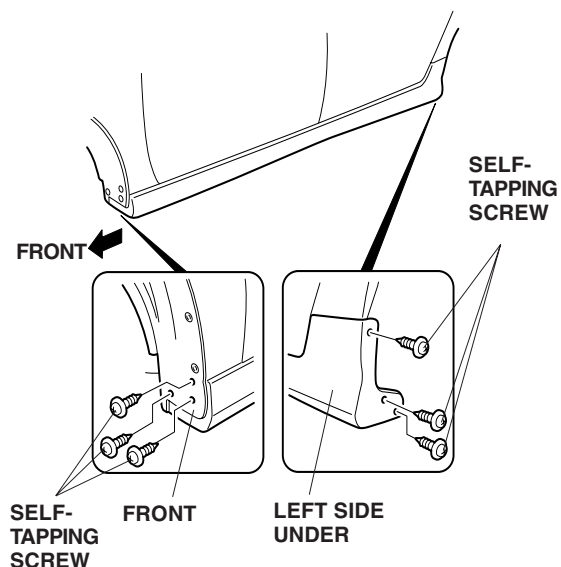
11. Open the front and the rear door, align the clips attached to the left side under spoiler to the square holes in the body, and push the left side under spoiler against the body to install it. Make sure the front inner fenderwell overlaps the trim. Press the left side under spoiler against the body until all clips engage with a click.



12. Install one new bolt (from the kit), two washers (from the kit), and two clips (reused) from the underside of the left side under spoiler.



13. Reinstall the three self-tapping screws (reused) at the front inner fender, and the three self-tapping screws (reused) at the left side under spoiler into their original positions.



14. Repeat steps 1 thru 13 to install the right side under spoiler.