

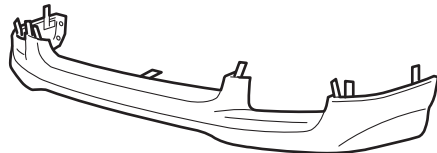


INSTALLATION INSTRUCTIONS

Accessory	Application	Publications No.
FRONT UNDER SPOILER	2005 TSX	BII 28362
		Issue Date OCT 2004

PARTS LIST

Front under spoiler



8 Step bolts



6 Clip nuts



4 Self-tapping screws



4 Spring nuts



TOOLS AND SUPPLIES REQUIRED

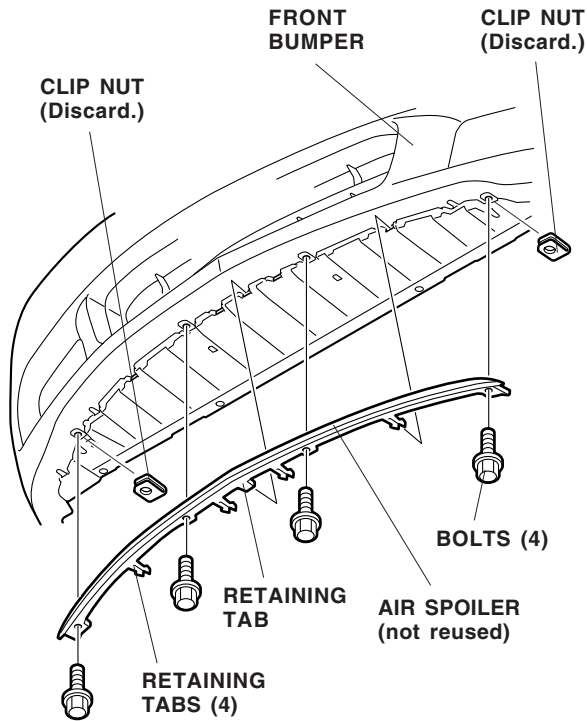
- Phillips screwdriver
- Flat-tip screwdriver
- Clip remover
- Ratchet
- 10 mm Socket
- Isopropyl alcohol
- Shop towel
- Masking tape

INSTALLATION

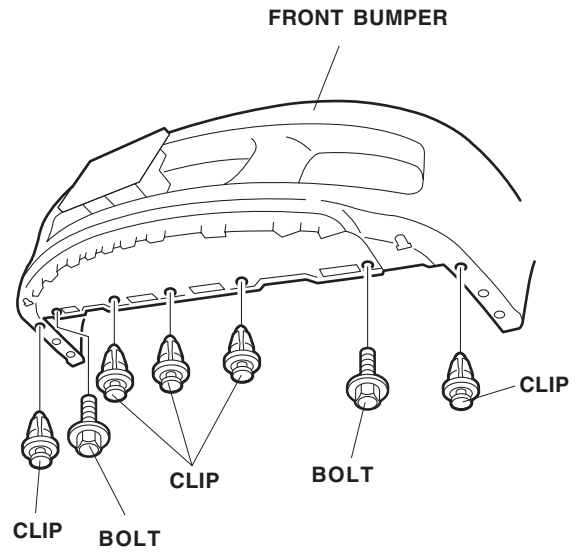
NOTE:

- The front under spoiler kit should only be installed if the ambient air temperature is 60°F (15°C) or above.
- To allow the adhesive to cure, do not wash the car for 24 hours.
- If also installing with fog lights, install the front under spoiler first.

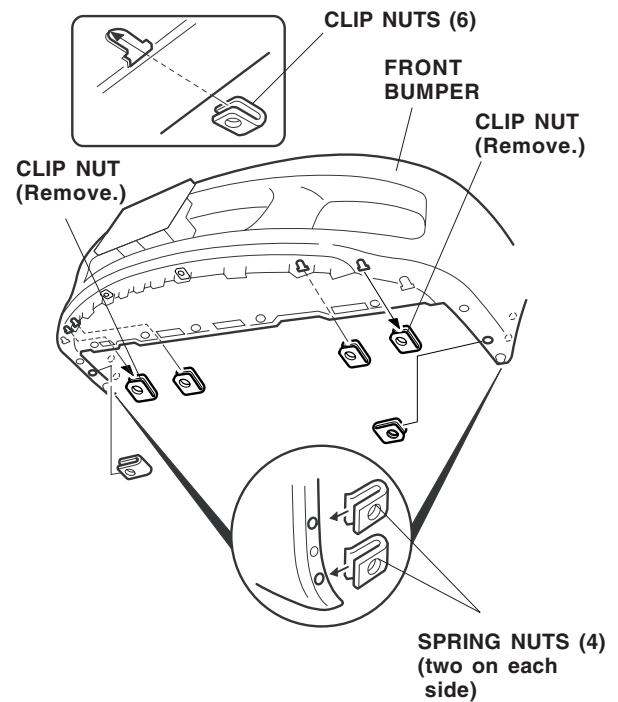
1. Remove the four bolts from the air spoiler, pull the air spoiler toward you to release the five retaining tabs. Remove and discard the two clip nuts from the front bumper. Set the air spoiler aside; it will not be reused.



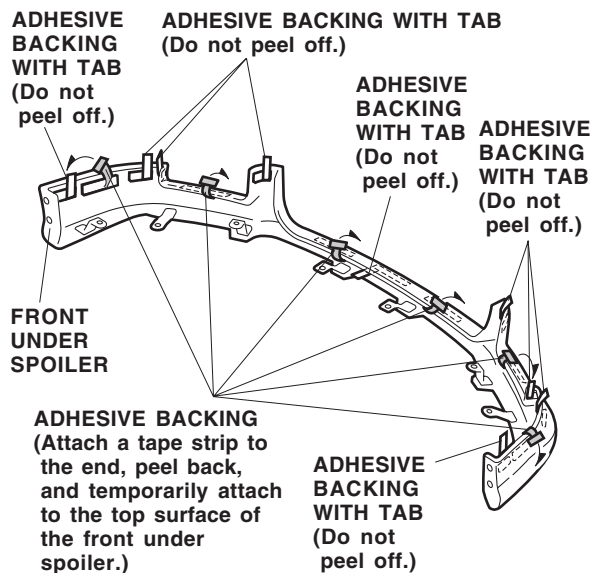
2. Remove the two bolts and five clips from the bottom of the front bumper.



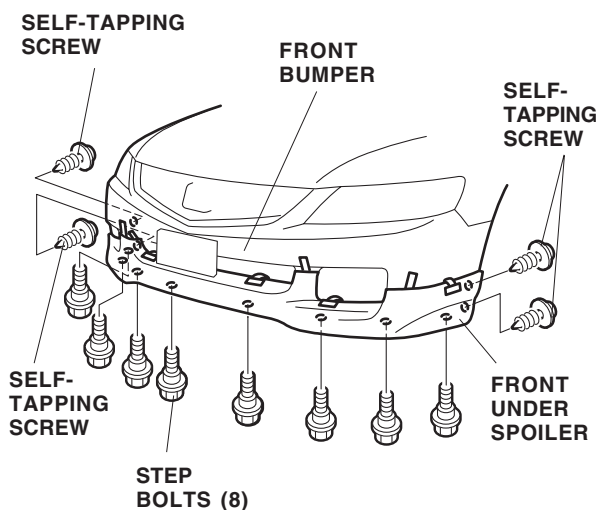
3. Install the six clip nuts and four spring nuts in the areas shown.



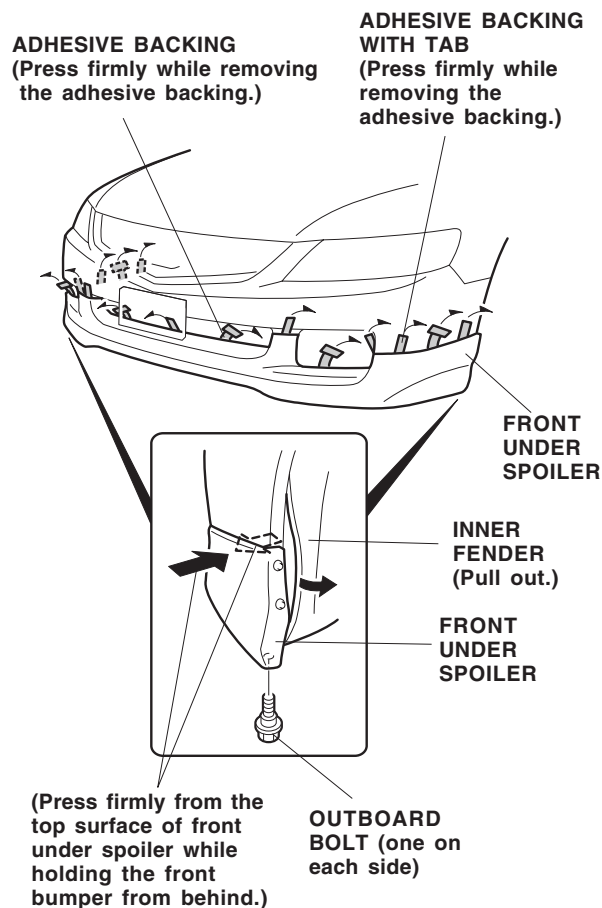
- Attach a strip of masking tape to the ends of the adhesive backings of the front under spoiler, peel back the adhesive backings and temporarily attach the adhesive backings to the top surface of the front under spoiler. Do not peel off any of the adhesive backings with tab.



- Check the position on the front bumper where the double-sided adhesive tape will adhere to the front bumper. Using isopropyl alcohol on a shop towel, clean the bumper where the spoiler will attach.
- Position the front under spoiler on the front bumper, and install the eight step bolts and four self-tapping screws.



- On each side of the front bumper, remove the outboard bolt from the front bottom of the front bumper. Pull the inner fender back to access back of the front bumper.



- Remove the adhesive backing, and the adhesive backings with tab. Press the front under spoiler firmly to ensure adhesion.
 - On the right and left ends, press the front under spoiler firmly while holding the front bumper from behind with your hand.
 - Using the palm of your hand, press firmly on all adhesive areas for 30 seconds.
- Reinstall all removed parts. Check that all clips and other fasteners are installed securely.