



INSTALLATION INSTRUCTIONS

Accessory

**GOLD EMBLEMS
P/N 08F20-SEP-200**

Application

2005 TL

Publications No.

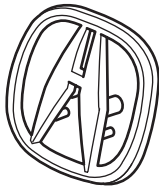
BII 28188

Issue Date

SEP 2004

PARTS LIST

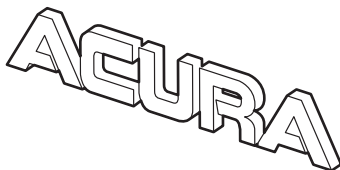
Front gold "A" emblem



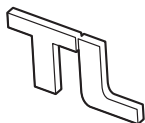
Rear gold "A" emblem



Rear gold "ACURA" emblem



Rear gold "TL" emblem



TOOLS AND SUPPLIES REQUIRED

Phillips screwdriver

8 mm and 10 mm Sockets

Ratchet

Shop towel

Masking tape

Isopropyl alcohol

Flat-tip screwdriver

Blanket

Diagonal cutters

String

INSTALLATION

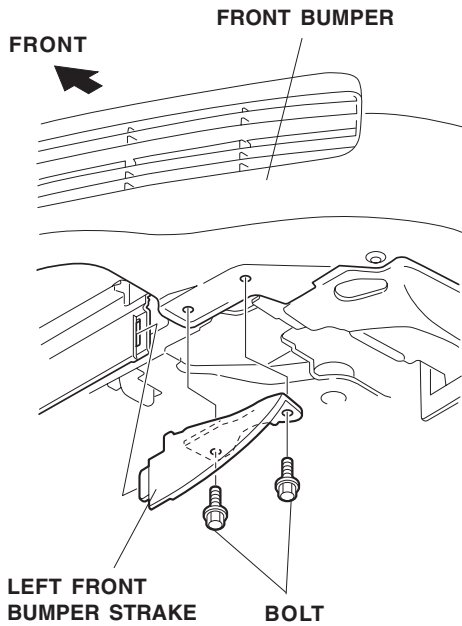
Customer Information: The information in this installation instruction is intended for use only by skilled technicians who have the proper tools, equipment, and training to correctly and safely add equipment to your vehicle. These procedures should not be attempted by "do-it-yourselfers."

NOTE:

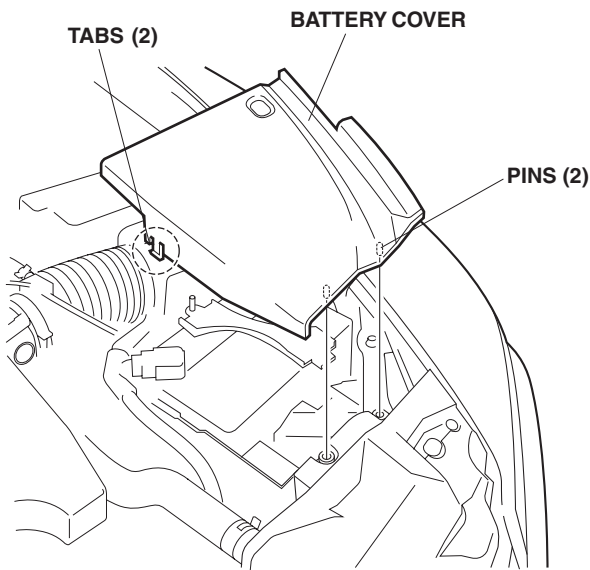
- Be careful not to damage the body paint.
- This emblem kit should only be installed if the ambient air temperature is 60°F (15°C) or above.
- To allow the adhesive to cure, do not wash the vehicle for 24 hours.

Installing the Front "A" Emblem

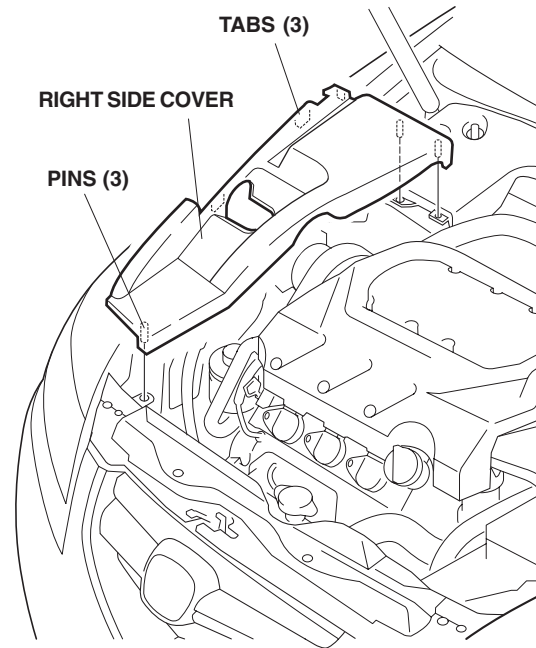
1. Remove the two bolts that secure the left front bumper strake to the bottom of the front bumper, and remove the bumper strake by sliding it sidewise.



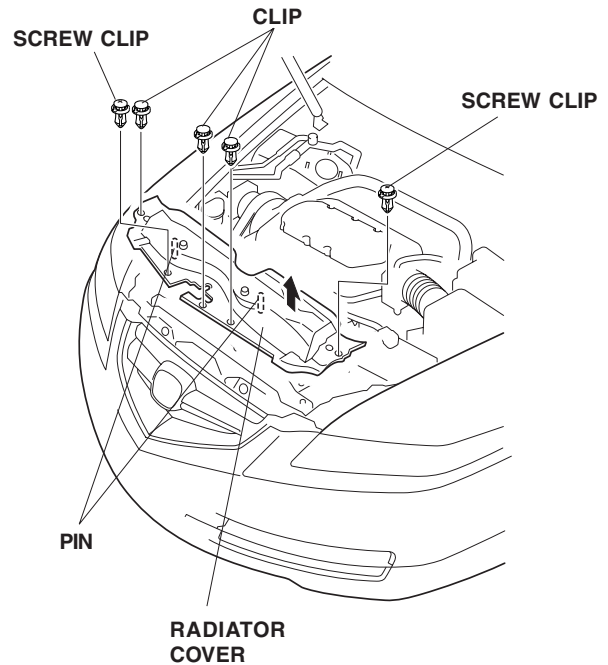
2. Repeat step 1 to remove the right side bumper strake.
3. Remove the battery cover (two pins and two tabs).



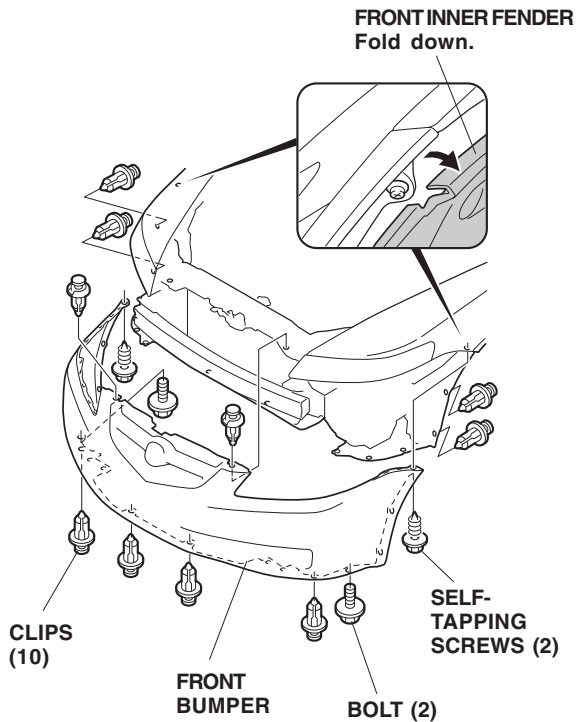
4. Remove the right side cover (three pins and three tabs).



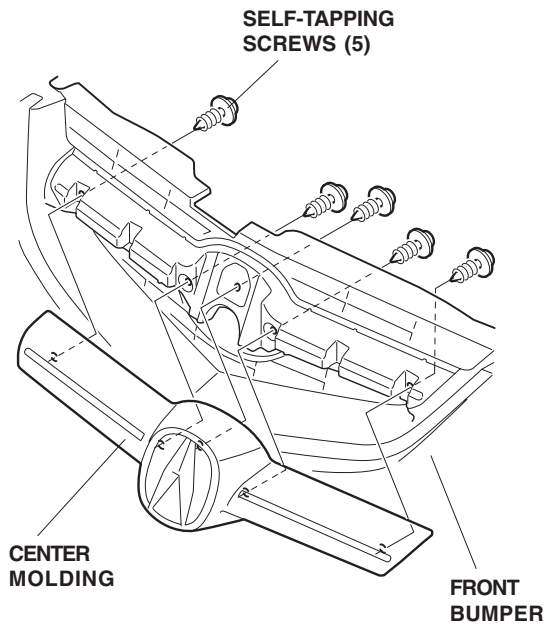
5. Open the engine hood. Remove the radiator cover (three clips, two screw clips and two pins).



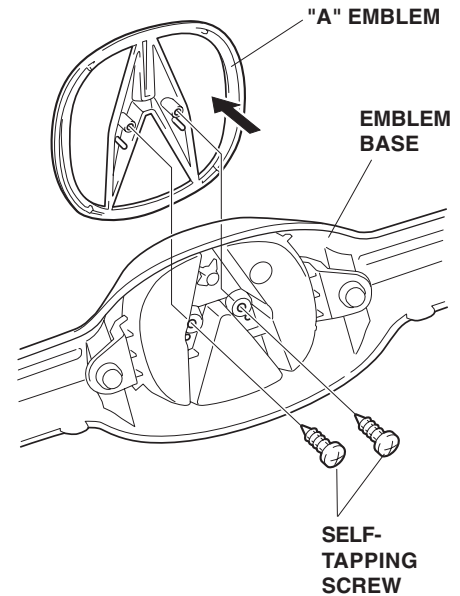
- On each side, fold down the front inner fender, and remove the front bumper (ten clips, two bolts and two self-tapping screws). To prevent damage, set the bumper on a blanket during installation of the emblem.



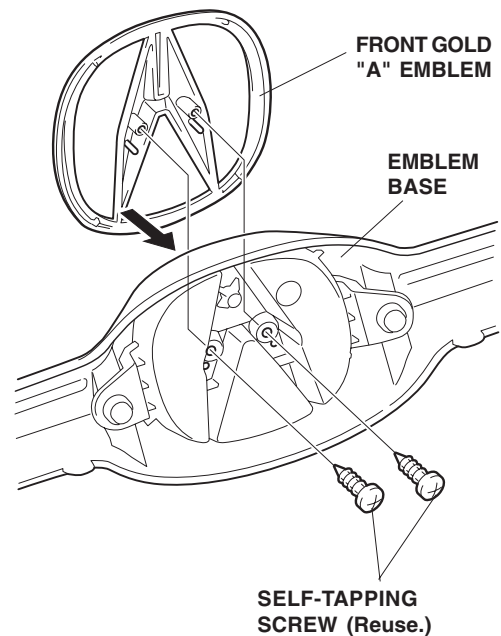
- Remove the center molding (five self-tapping screws).



- Remove the two self-tapping screws that secure the existing "A" emblem and remove the emblem.



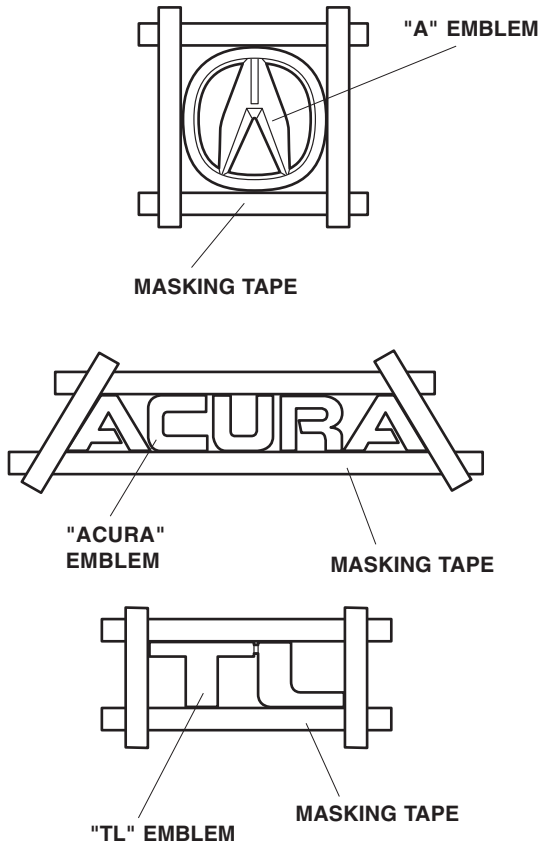
- Slide the pins on the gold "A" emblem into the holes in the emblem base and install the two self-tapping screws you just removed.



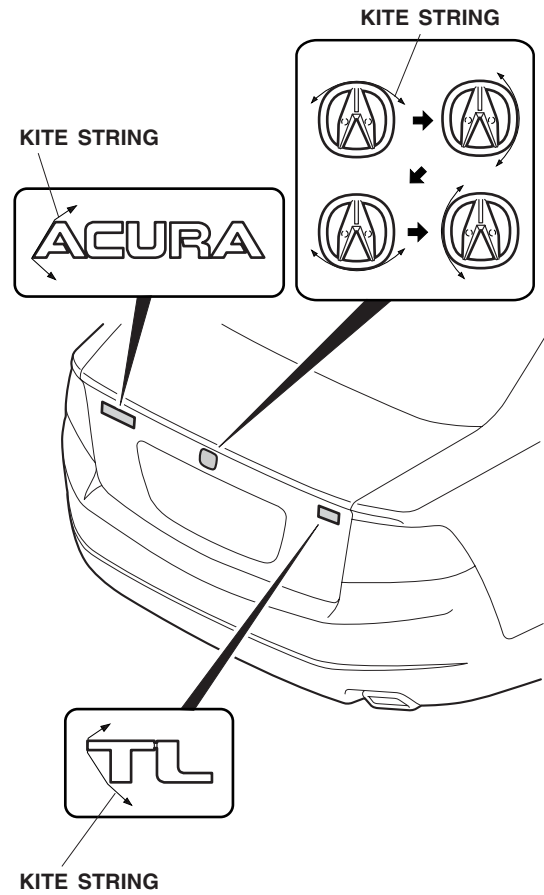
- Reinstall all removed parts. Check that front bumper clips are installed securely.

Installing the Rear "A", "ACURA" and "TL" Emblems

10. To prevent damage to the paint, and to help you position the gold emblems, attach masking tape around the original rear "A," "ACURA," and "TL" emblems.

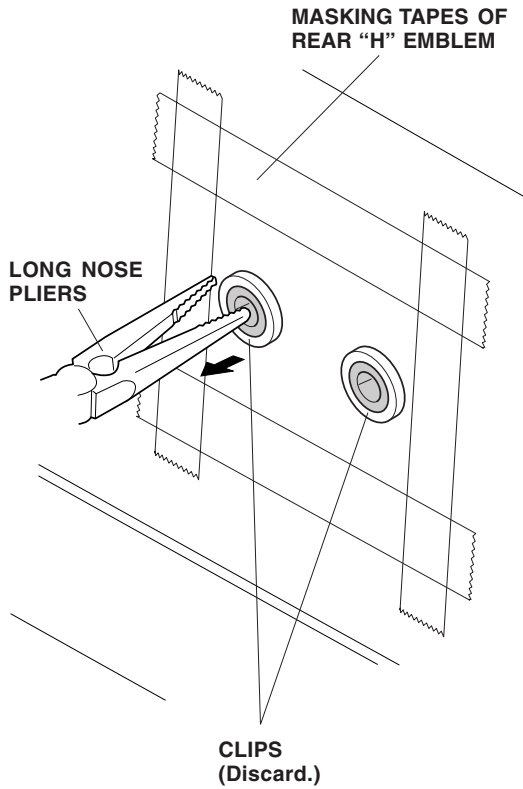


11. Remove the original emblems by cutting the outer edges with a piece of string. Note the location of the retaining pins on the back of original "A" emblem when cutting the edges.

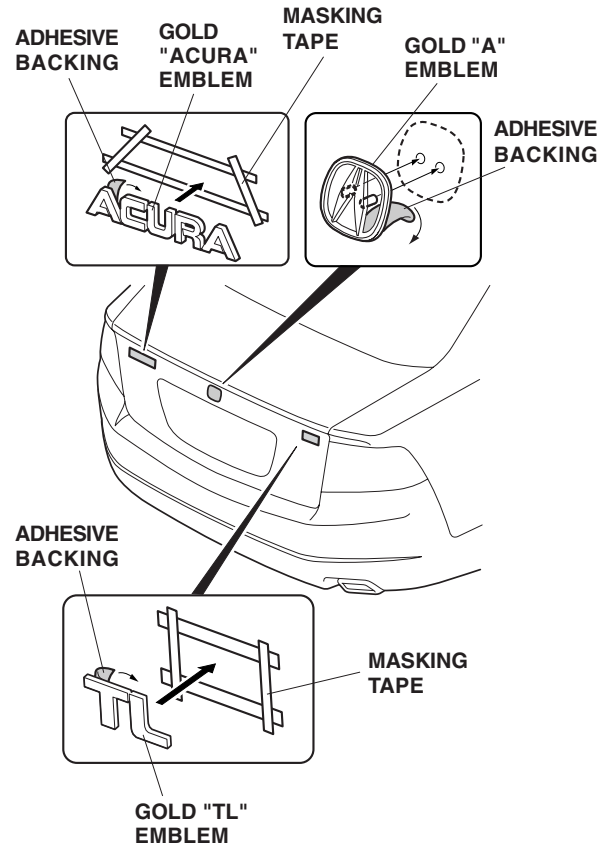


12. Remove the original "A," " ACURA," and "TL" emblems.

13. If any clips for the "A" emblem remain in the vehicle body panel, remove them with long nose pliers.



14. Using isopropyl alcohol on a shop towel, clean the areas where the new gold emblems will attach.
15. Remove the adhesive backings from the gold "A," "ACURA," and "TL" emblems, and attach them to the trunk lid so they line up with the tape. Hold the gold emblems firmly against the trunk lid with the palm of your hand for at least 30 seconds.



16. Remove the masking tape around the emblems that was applied in step 10.