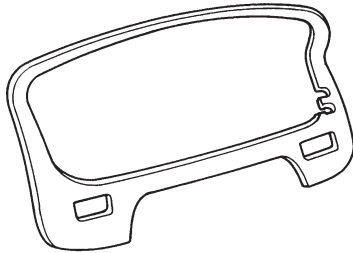


<h1>INSTALLATION INSTRUCTIONS</h1>	Accessory <b>WOOD-GRAIN METER TRIM PANEL</b> P/N 08Z03-S3V-200A	Application <b>2005 MDX</b>	Publications No. <b>BII 28221</b>
			Issue Date <b>SEP 2004</b>

## PARTS LIST

Wood-grain meter trim panel



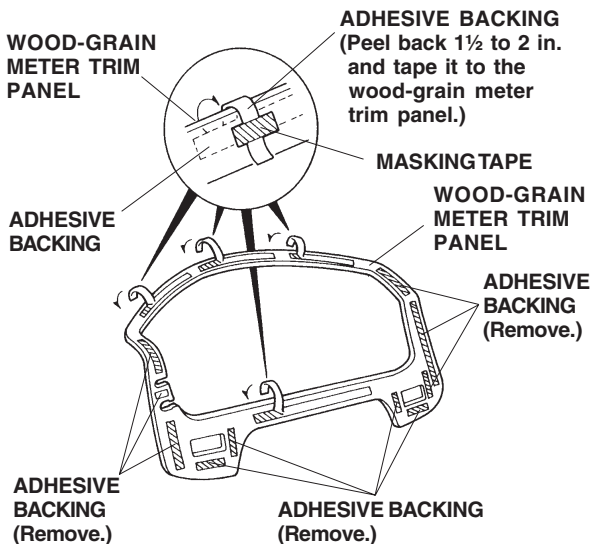
## SUPPLIES REQUIRED

Isopropyl alcohol  
 Shop towel  
 Masking tape

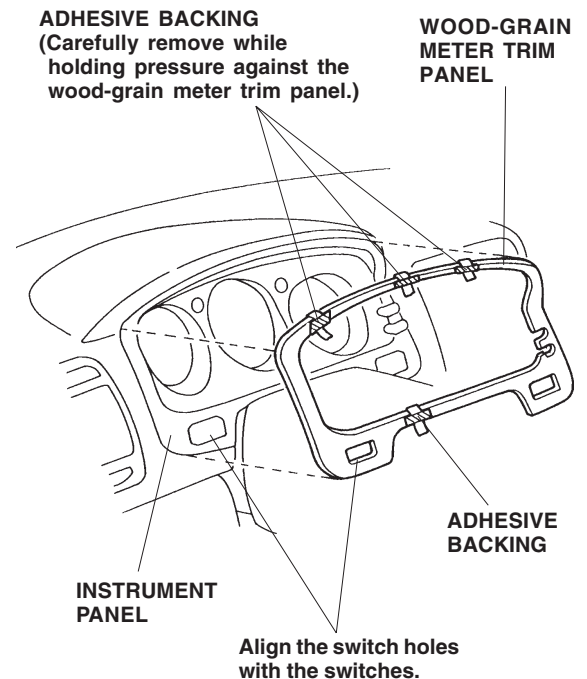
## INSTALLATION

**NOTE:** The wood-grain meter trim panel should be installed only when the ambient air temperature is 60°F (15°C) or above.

- Using isopropyl alcohol on a shop towel, clean the area where the wood-grain meter trim panel will attach. Allow the isopropyl alcohol to dry completely before attaching the wood-grain meter trim panel.
- Along the top and bottom of the opening in the wood-grain meter trim panel, peel back 1½ to 2 inches of the four adhesive backings, and tape each one of them to the front of the wood-grain meter trim panel with a piece of masking tape.



- Remove the adhesive backing from all of the other locations.
- Align the switch holes of the wood-grain meter trim panel with the switches of the instrument panel; attach the wood-grain meter trim panel to the instrument panel.



- Apply pressure against the wood-grain meter trim panel, carefully remove the four adhesive backings you taped to the wood-grain meter trim panel. Continue to apply pressure to the wood-grain meter trim panel with the palm of your hand for at least 30 seconds.
- Remove the masking tape.