

ACURA INSTALLATION INSTRUCTIONS

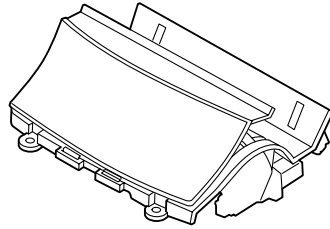
Accessory
**CIGARETTE LIGHTER
WITH ASHTRAY
08U25-SEC-210**

Application
2004 TSX

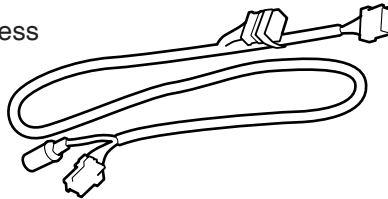
Publications No.
BII 24798
Issue Date
NOV 2003

PARTS LIST

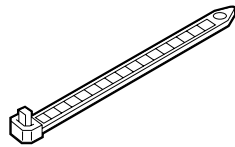
Ashtray



Cigarette lighter harness



11 Wire ties



TOOLS REQUIRED

Phillips screwdriver

10 mm Combination wrench

INSTALLATION

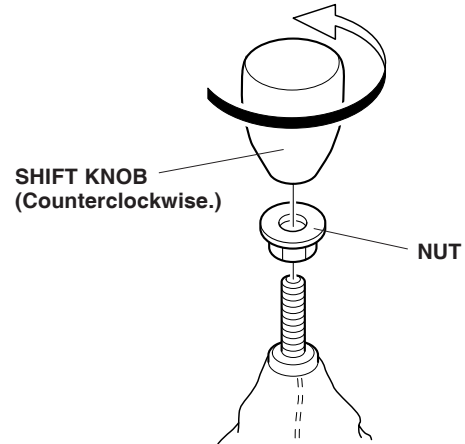
Customer Information: The information in this installation instruction is intended for use only by skilled technicians who have the proper tools, equipment, and training to correctly and safely add equipment to your vehicle. These procedures should not be attempted by "do-it-yourselfers."

1. Make sure you have the anti-theft code for the radio, then write down the frequencies for the preset buttons.
2. Disconnect the negative cable from the battery.

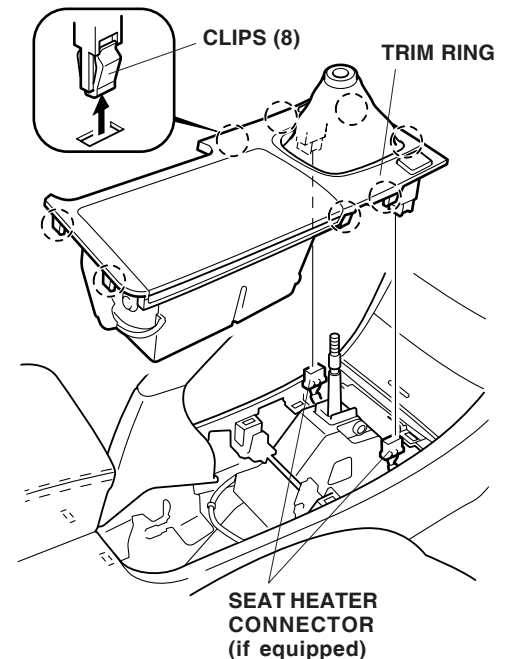
3. Remove the trim ring.

M/T Model:

- Remove the shift knob by turning it counterclockwise, and remove the nut.

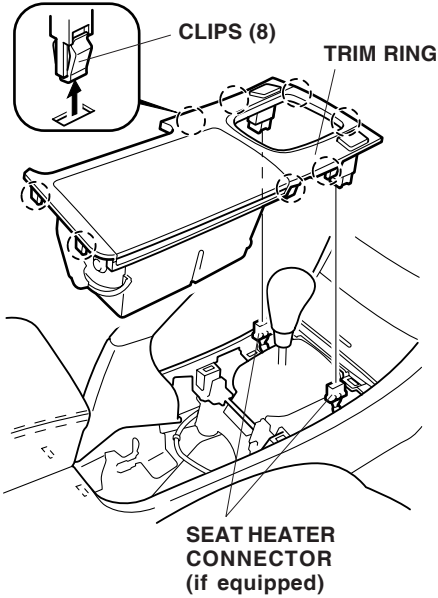


- Gently pry up on the trim ring to release the eight clips.
- Unplug the two seat heater connectors (if equipped), and remove the trim ring.

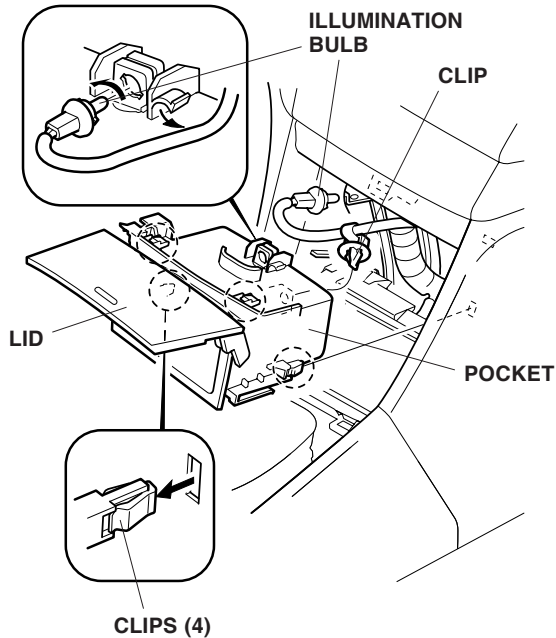


A/T Model:

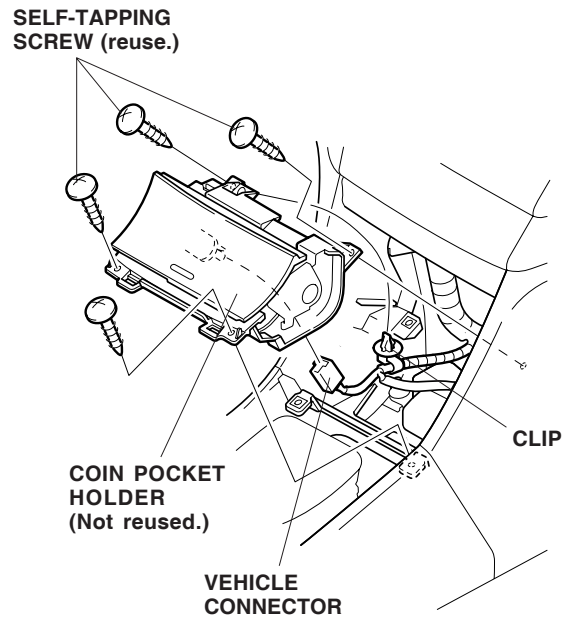
- Gently pry up on the trim ring to release the eight clips.
- Unplug the two seat heater connectors (if equipped), and remove the trim ring.



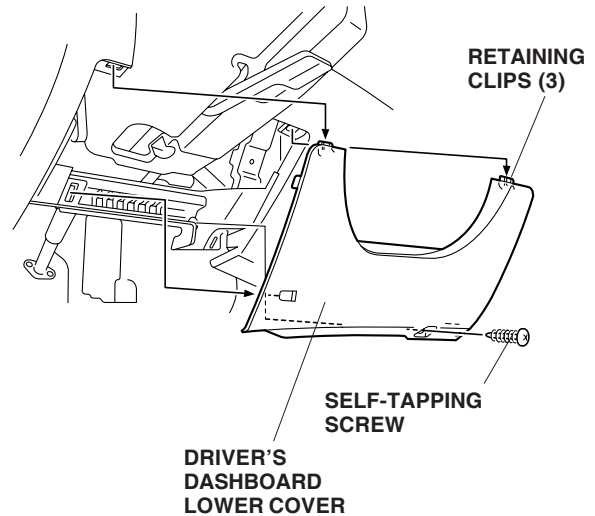
4. Open the pocket lid. Pull the pocket out toward you to release the four clips, unplug the illumination bulb, unclip the illumination bulb harness from the pocket, and remove the pocket. Tack care not to damage the illumination bulb.



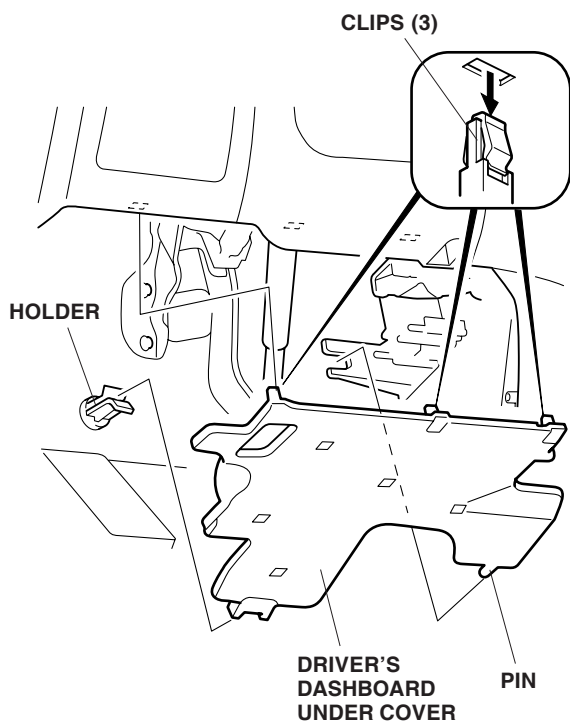
5. Remove the four self-tapping screws. Gently pull out on the coin pocket holder, unplug the vehicle connector and vehicle clip, and remove the coin pocket holder.



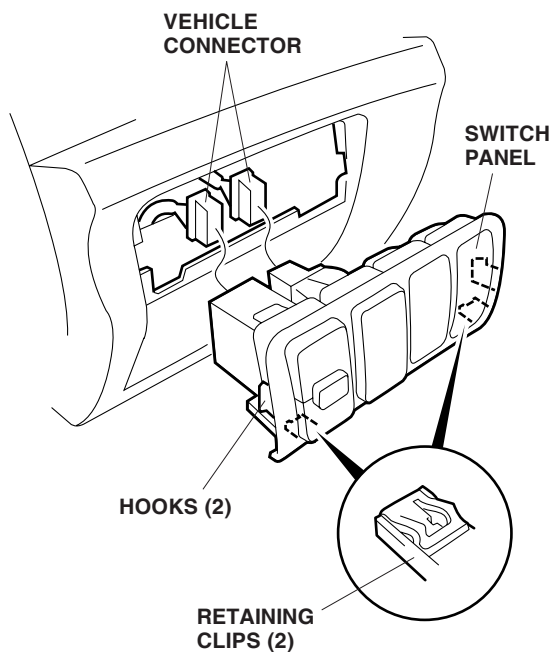
6. Remove the driver's dashboard lower cover (one self-tapping screw and three retaining clip).



- Remove the driver's dashboard under cover (three clips, one pin and one holder).

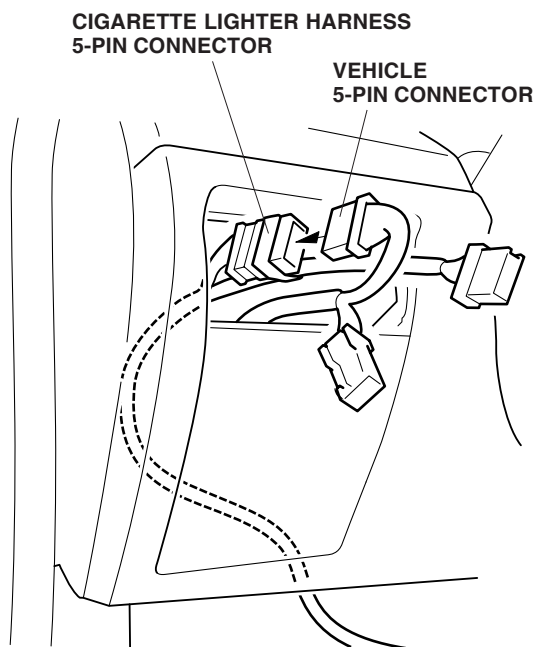


- Release the two clips and two hooks, and remove the switch panel by pulling it out toward you.

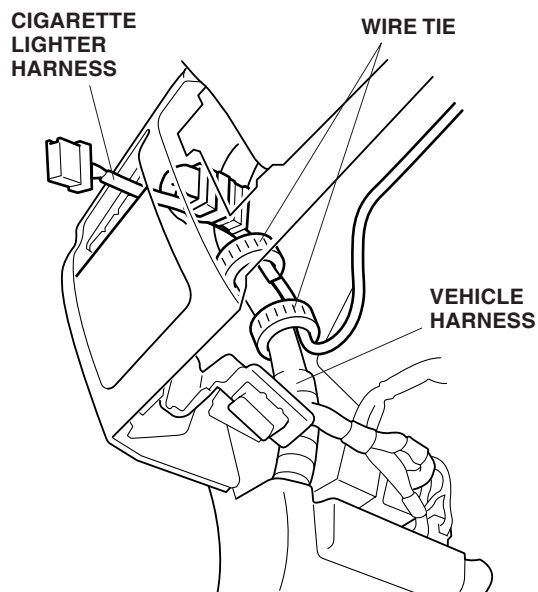


- Unplug the vehicle connectors from the switch panel, then remove the switch panel.

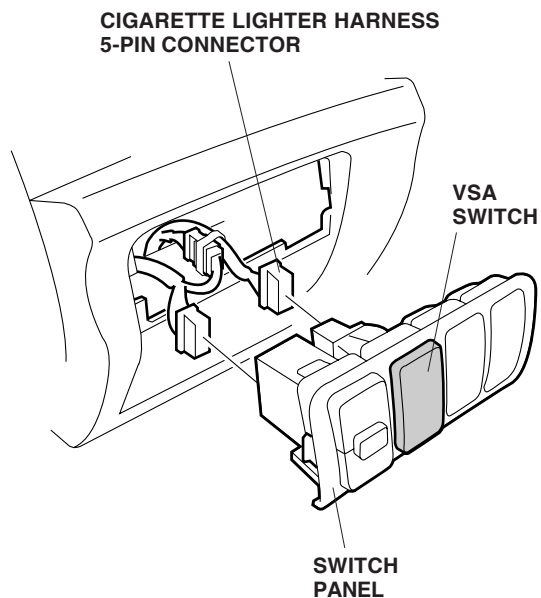
- Route the cigarette lighter 5-pin connector to the switch panel opening, and plug the cigarette lighter harness 5-pin connector into the vehicle 5-pin connector you just unplugged (second connector from the left) as shown.



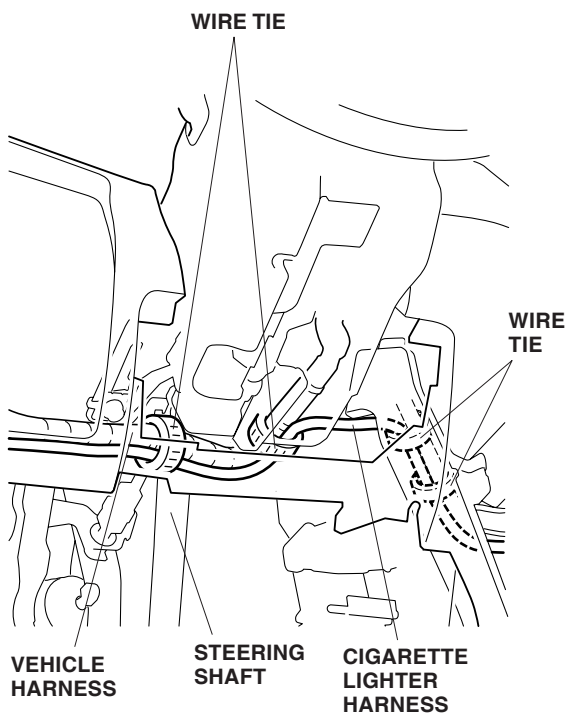
- Route the other end of the cigarette lighter harness along the vehicle harness, and secure it to the vehicle harness with two wire ties in the areas shown.



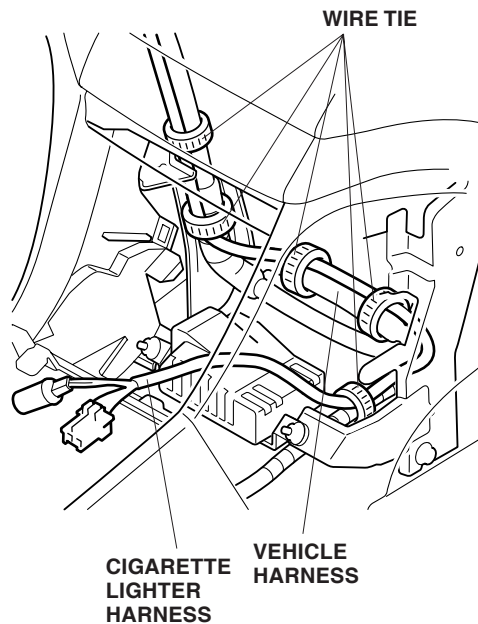
- Plug the cigarette lighter 5-pin connector into the VSA switch, and reinstall the switch panel.



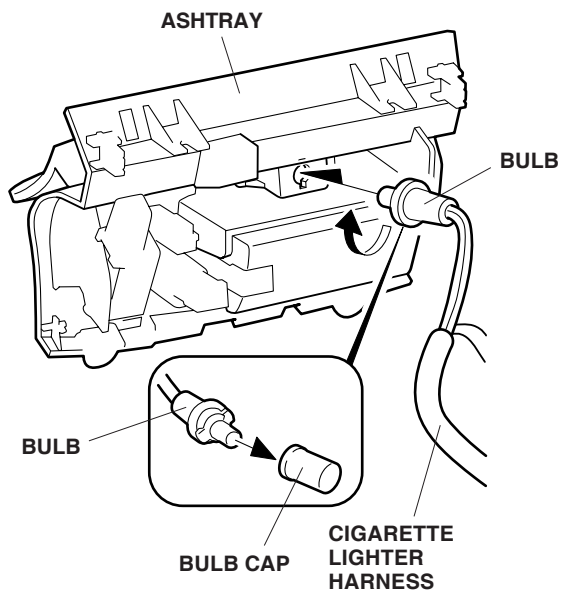
- Route the cigarette lighter harness in front of the steering shaft. Secure the cigarette lighter harness to the vehicle harness with four wire ties.



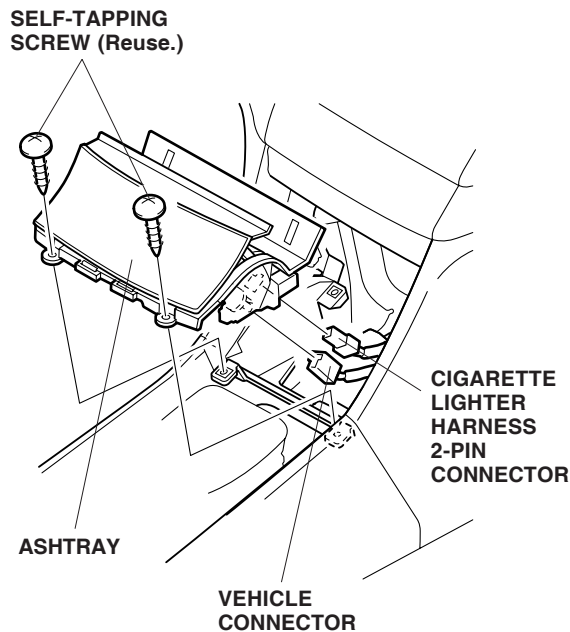
- Continue routing the cigarette lighter harness to the center console opening, and secure it to the vehicle harness with the five wire ties.



- Remove the bulb cap from the bulb on the cigarette lighter harness.



16. Push and turn the bulb on the cigarette lighter harness into the hole in the ashtray.



17. Plug the cigarette lighter harness 2-pin connector and vehicle connectors unplugged in step 7 into the ashtray, and install the ashtray (two self-tapping screws).
18. Check that all wire harnesses are routed properly and all connectors are plugged in.
19. Reinstall all removed parts. Check that all clip and fasteners are installed securely.
20. Reconnect the negative cable to the battery.
21. Reset the clock, and reset the radio station presets.
22. Test the operation of the cigarette lighter.

NOTE: Whenever the battery is disconnected, the driver's window AUTO function is disabled.
23. Start the engine. Push down on the driver's window switch until the window is fully open.
24. Pull up on the driver's window switch to close the window completely, then hold the switch for a second or 2 more.
25. Test the window AUTO function.