



ACURA

INSTALLATION INSTRUCTIONS

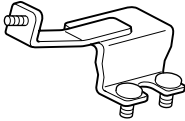
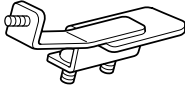
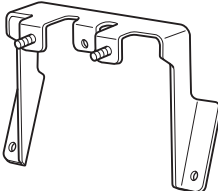
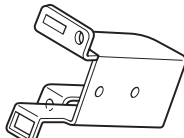
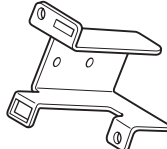
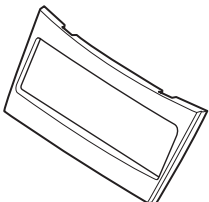
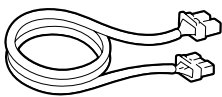
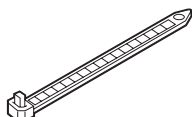
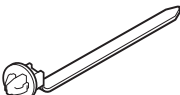

Accessory
**CASSETTE/MULTIMEDIA
 PLAYER ATTACHMENT**

Application
2004 TSX

Publications No.
BII 24800

Issue Date
APRIL 2003

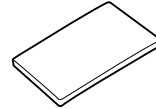
**Attachment Kit (sold separately):
 P/N 08B06-SEC-210**

- Right upper player bracket 
- Left upper player bracket 
- Lower player bracket 
- Right player bracket 
- Left player bracket 
- Player panel 
- BUS cable 
- 2 Wire ties 
- Wire tie with clip 
- 8 Flange nuts, 6 mm 

2 Latches

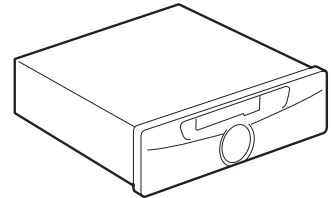


Cushion tape



**Cassette Player (sold separately):
 P/N 08A03-5E2-000**

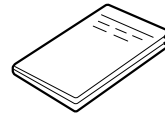
Cassette player



4 Washer-screws, 5 x 8 mm

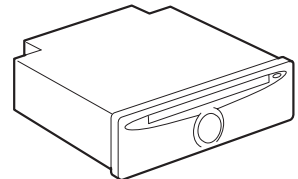


Owner's Manual



**Multimedia Player (sold separately):
 P/N 08A06-4E2-200**

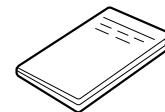
Multimedia player



4 Washer-bolts, 5 x 8 mm



Owner's Manual



TOOLS AND SUPPLIES REQUIRED

Phillips screwdriver
Flat-tip screwdriver
10 mm Combination wrench
Ratchet
10 mm Socket
Utility knife
Shop towel
Tape measure
Electrical tape
Diagonal cutters

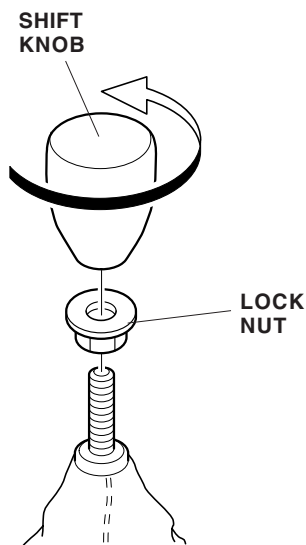
INSTALLATION

Customer Information: The information in this installation instruction is intended for use only by skilled technicians who have the proper tools, equipment, and training to correctly and safely add equipment to your car. These procedures should not be attempted by “do-it-yourselfers.”

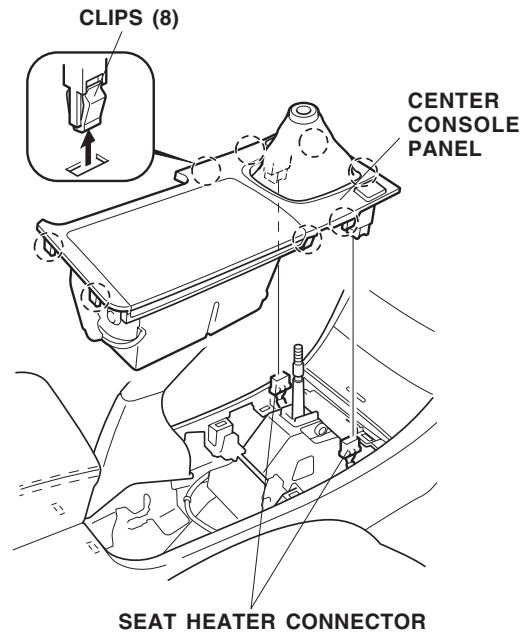
1. Make sure you have the anti-theft code for the radio, then write down the frequencies for the preset buttons.
2. Disconnect the negative cable from the battery.
3. Remove the center console panel.

M/T Model:

- Remove the shift knob by turning it counterclockwise.
- Remove the lock nut.

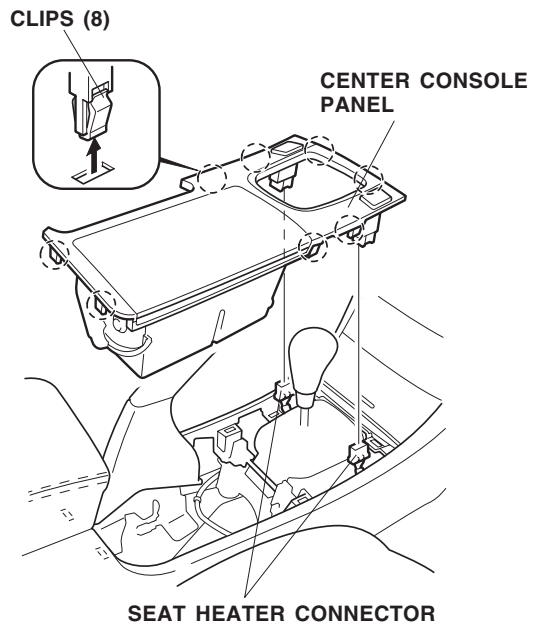


- Gently pry up on the center console panel to release the eight clips.
- Unplug the two seat heater connectors (if equipped), and remove the center console panel.

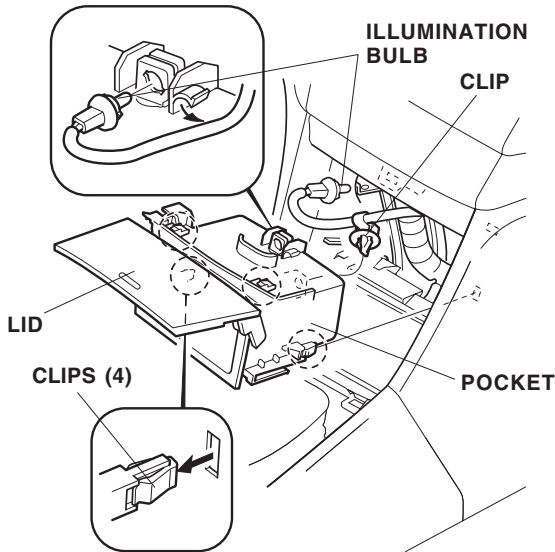


A/T Model:

- Gently pry up on the center console panel to release the eight clips.
- Unplug the two seat heater connectors (if equipped), and remove the center console panel.



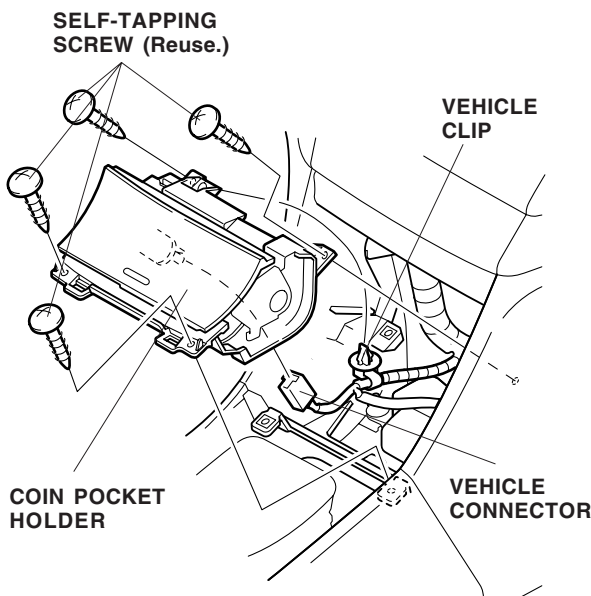
- Open the pocket lid. Pull the pocket out toward you to release the four clips, unplug the illumination bulb, unclip the illumination bulb harness from the pocket, and remove the pocket. Take care not to damage the illumination bulb.



- Remove the coin pocket holder or ashtray holder.

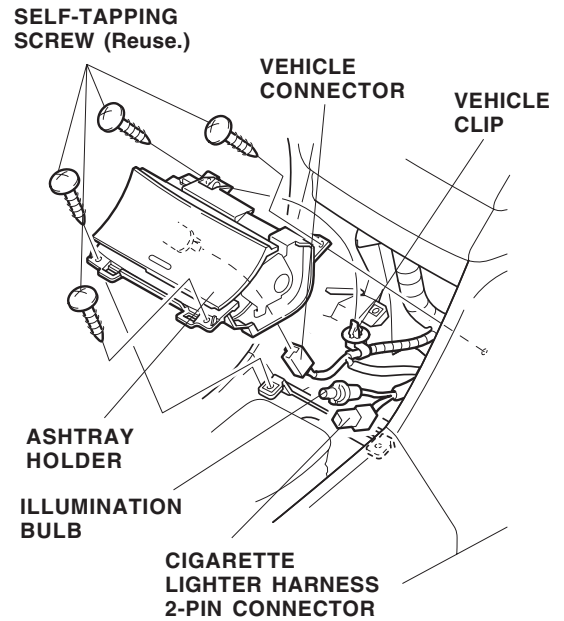
With a Coin Pocket Holder:

- Remove the four self-tapping screws.
- Gently pull out the coin pocket holder, unplug the vehicle connector and the vehicle clip, and remove the coin pocket holder.

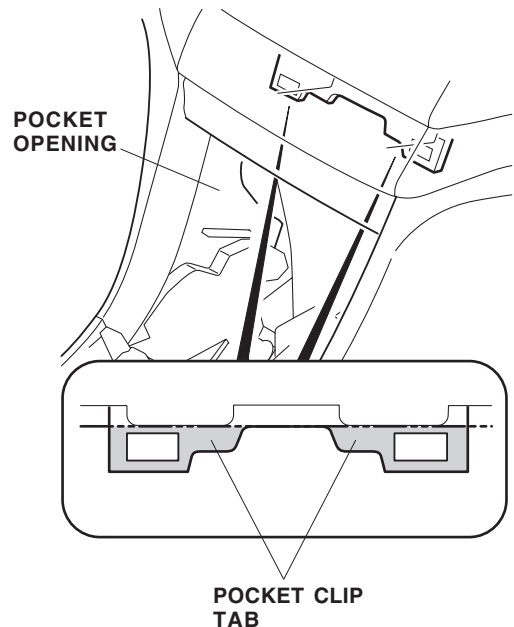


With an Ashtray Holder:

- Remove the four self-tapping screws.
- Gently pull out the ashtray holder, unplug the illumination bulb, the vehicle connector, and the cigarette lighter harness 2-pin connector, and then remove the ashtray holder. Remove the ashtray holder.



- Using diagonal cutters, cut the pocket clip tabs off of the pocket.



Installing the Player

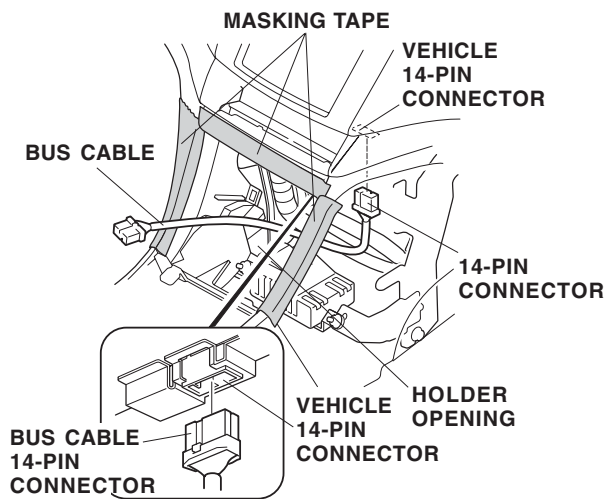
7. Plug in the BUS cable.

Without Navigation System:

- Apply masking tape in the areas shown.

NOTE: Failure to attach masking tape to protect the bottom edge of the AUDIO-HVAC display module can result in damage. The AUDIO-HVAC display module is available only as a complete assembly.

- At the holder opening, plug the BUS cable 14-pin connector into the vehicle 14-pin connector.

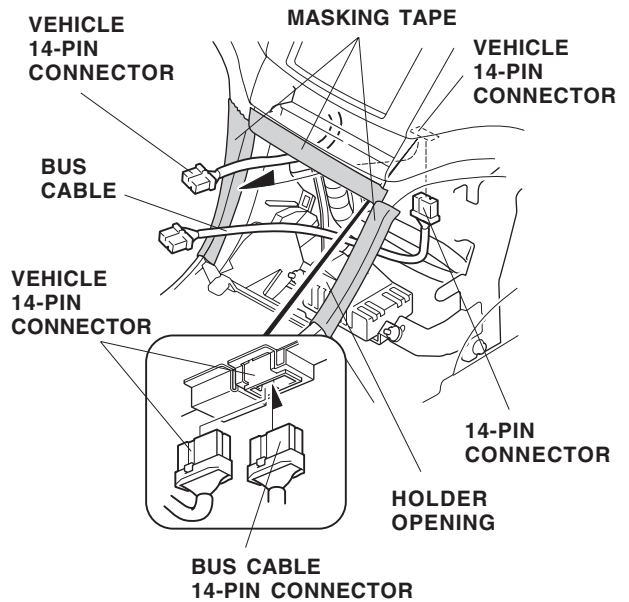


With Navigation System:

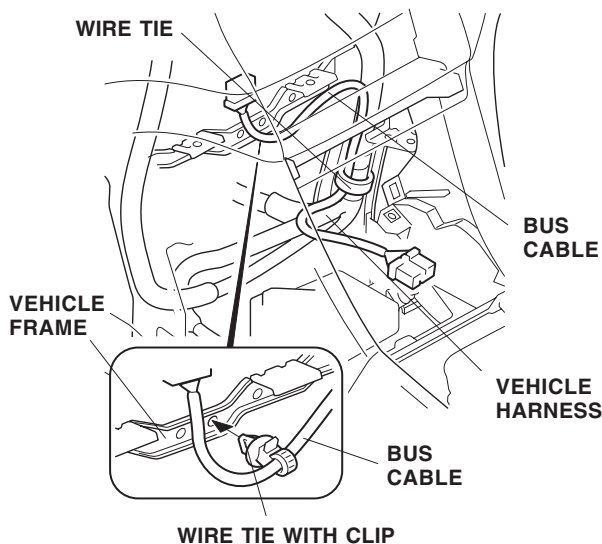
- Apply masking tape in the areas shown.

NOTE: Failure to attach masking tape to protect the bottom edge of the AUDIO-HVAC display module can result in damage. The AUDIO-HVAC display module is available only as a complete assembly.

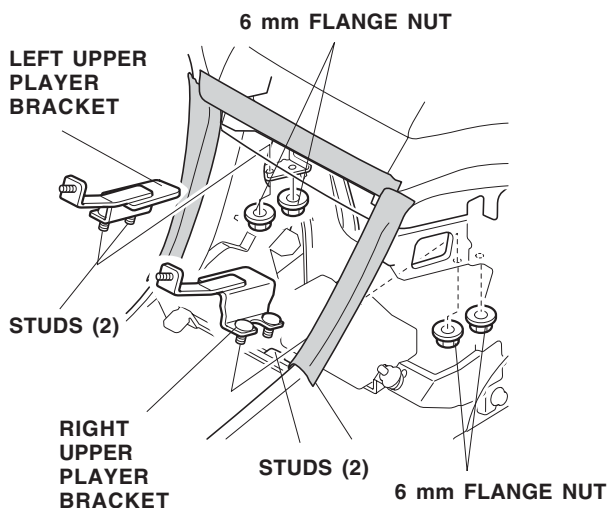
- At the holder opening, unplug the vehicle 14-pin connector, and plug the BUS cable 14-pin connector into the vehicle 14-pin connector.



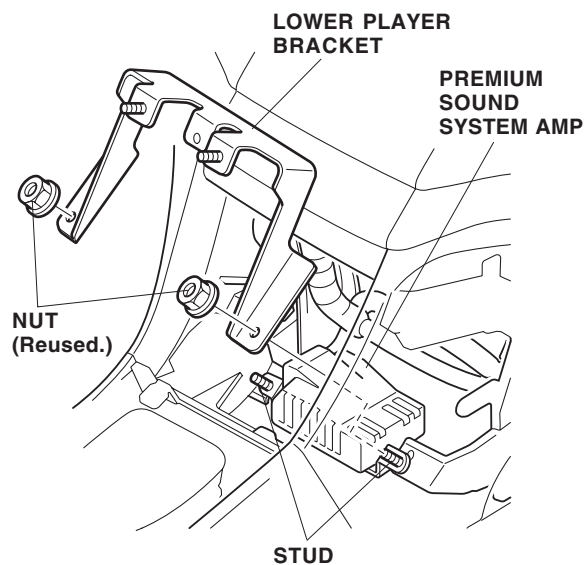
8. Wrap one wire tie with clip around the BUS cable, and push the wire tie with clip into the hole in the vehicle frame.



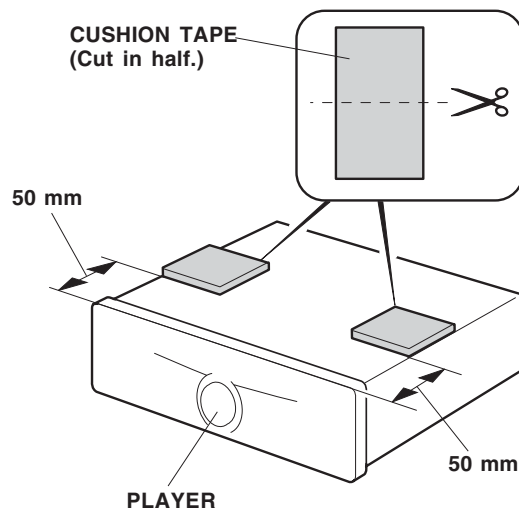
9. Secure the BUS cable to the vehicle harness with one wire tie.
10. Insert the studs from the right and left upper player brackets into the holes in the vehicle frame, and install one 6 mm flange nut to each stud. Push the player brackets outward, and tighten the flange nuts.



11. Remove the two nuts from the premium sound system amp.

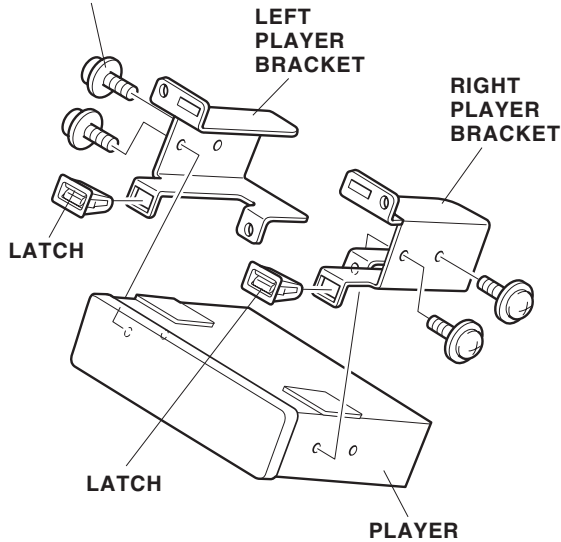


12. Attach the lower bracket to the studs of the amp, and reinstall the two nuts. Tighten the nuts securely.
13. Using scissors, cut one cushion tape in half. Attach the cut cushion tapes to the player in the areas shown.

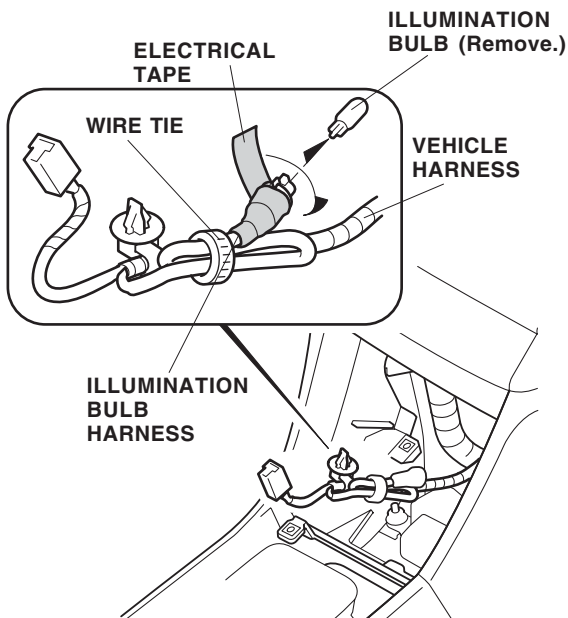


14. Install one latch to each of the right and left player brackets.

5 x 8 mm
WASHER-BOLTS (4)
(Included with player kit)

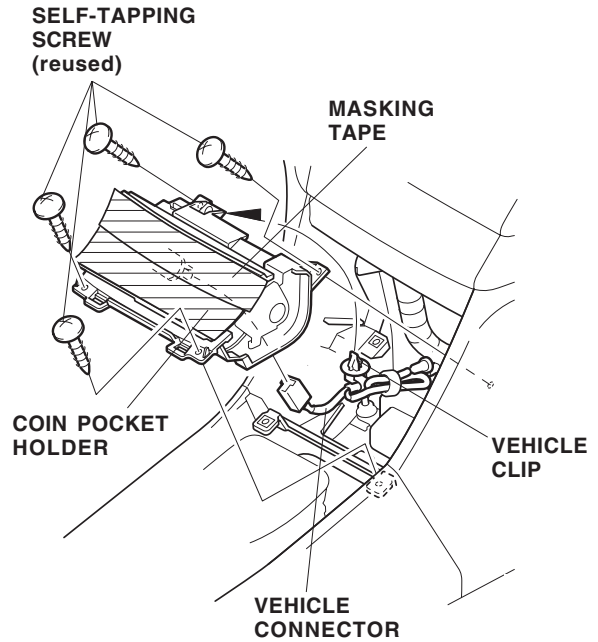


15. Position the player on the right and left player brackets, and install the four 5 x 8 mm washer-bolts included with the player kit.
16. Remove the illumination bulb, then wrap the connector using electrical tape. Loop any excess illumination bulb harness, and secure it to the vehicle harness with one wire tie.

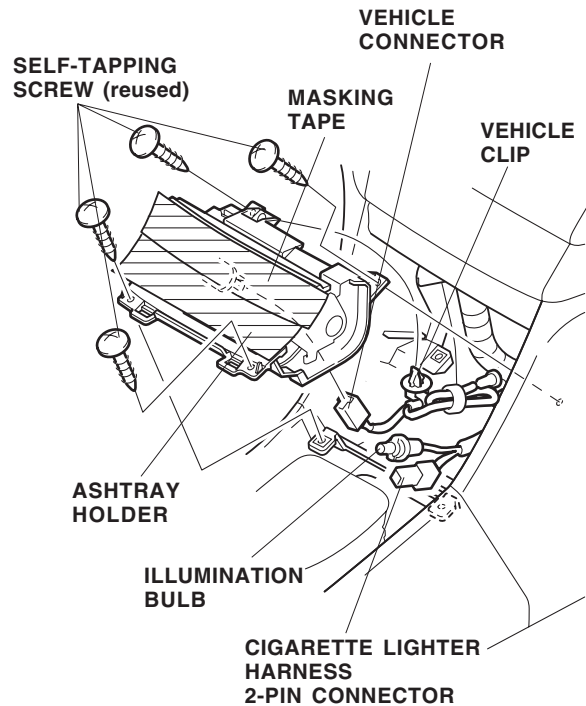


17. Apply masking tape to the coin pocket holder or the ashtray holder in the area shown, then reinstall the coin pocket holder or ashtray holder.

With a Coin Pocket Holder:



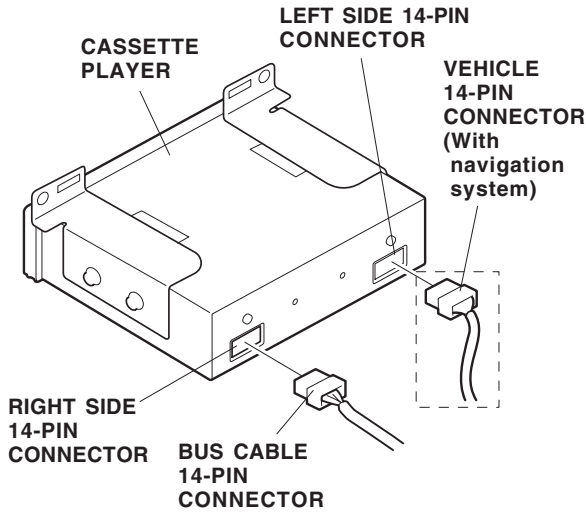
With an Ashtray Holder:



18. Plug in the BUS cable 14-pin connector.

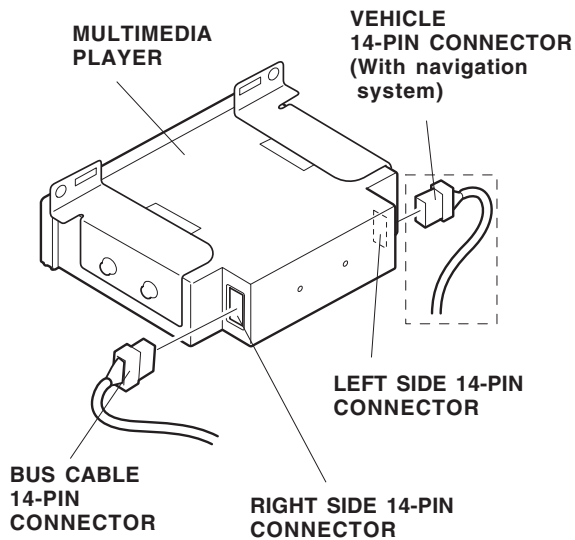
Cassette Player:

- If equipped with a navigation system, plug the 14-pin connector (unplugged in step 7) into the 14-pin connector of the player.

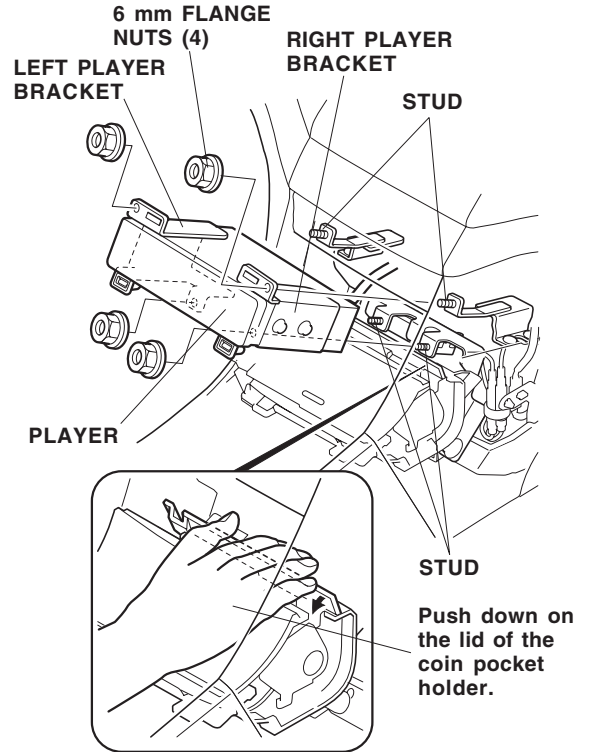


Multimedia Player:

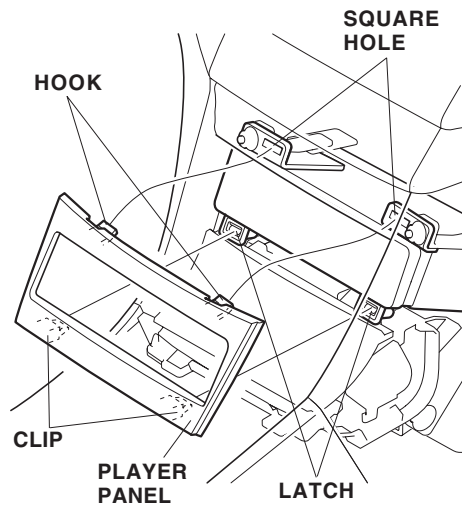
- If equipped with a navigation system, plug the 14-pin connector (unplugged in step 7) into the 14-pin connector of the player.



19. While pushing down on the coin pocket or ashtray holder, install the player into the dash opening and onto the studs of the upper player brackets. Install one 6 mm flange nut on the end of each stud. Tighten the flange nuts securely.



20. Insert two player panel hooks into the square holes of the right and left player brackets, then insert two player panel clips into the latches.



21. Remove the masking tape
22. Reconnect the negative cable to the battery.
23. Enter the anti-theft codes for the radio and the navigation system (if equipped).
24. Enter the customer's radio station presets, and set the clock.
25. Check the operation of the player according to the player Owner's Manual supplied.
26. Reinstall all removed parts.
27. Give the Owner's Manual for the player to your customer.