



INSTALLATION INSTRUCTIONS

Accessory

SPLASH GUARDS
P/N 08P00-SEP-200

Application

2004 TL

Publications No.

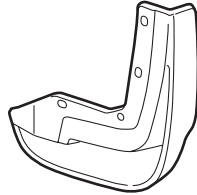
BII 25347

Issue Date

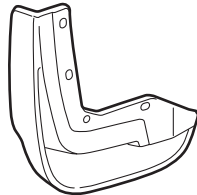
SEP 2003

PARTS LIST

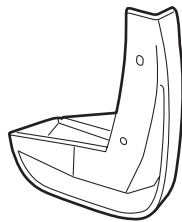
Left front splash guard



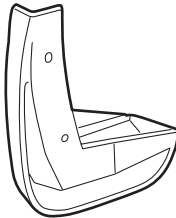
Right front splash guard



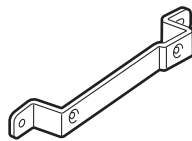
Left rear splash guard



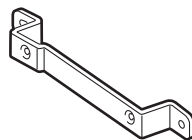
Right rear splash guard



Left bracket



Right bracket



6 Self-tapping screws



2 Spring nuts



TOOLS REQUIRED

Stubby Phillips screwdriver

Long Phillips screwdriver

90° Phillips screwdriver

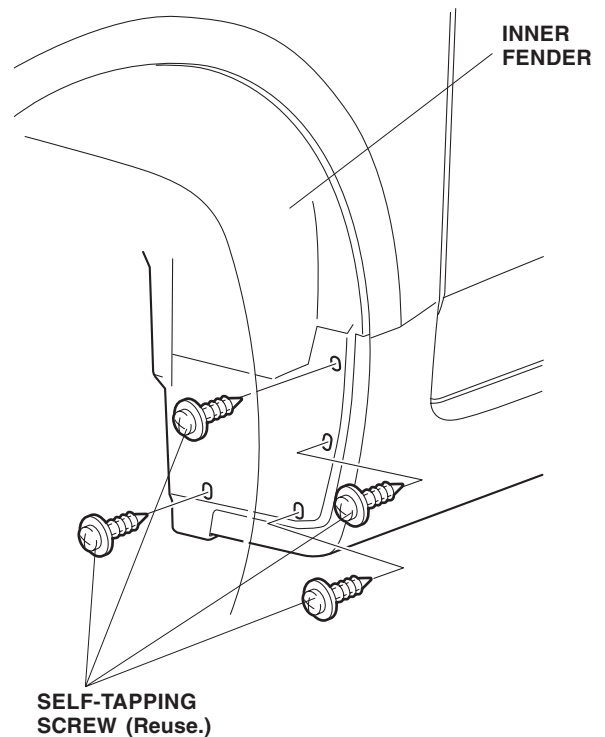
INSTALLATION

NOTE:

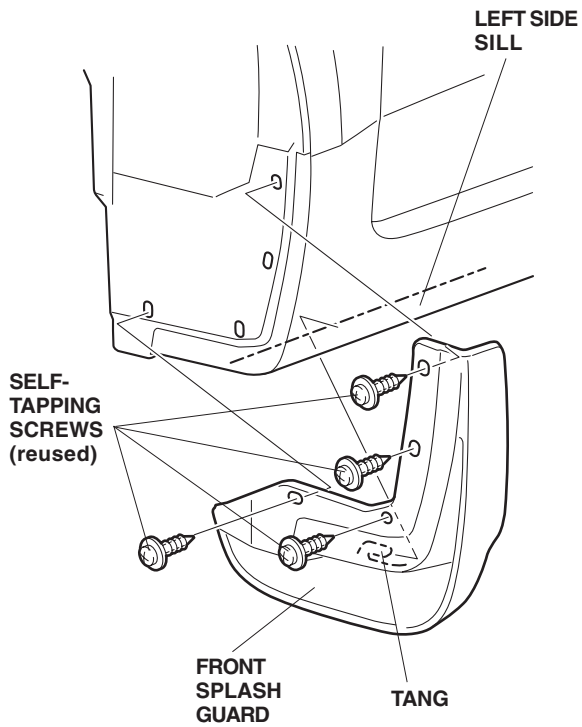
- Splash guards cannot be installed on a vehicle equipped with under spoilers.
- These instructions show the left side splash guards being installed. The same procedure applies to installing right side splash guards.
- Clean the area to be covered, and wax it with a high-quality paste wax.

Installing the Front Splash Guards

1. Turn the steering wheel all the way counterclockwise.
2. Remove and retain the four self-tapping screws that fasten the inner fender to the vehicle.



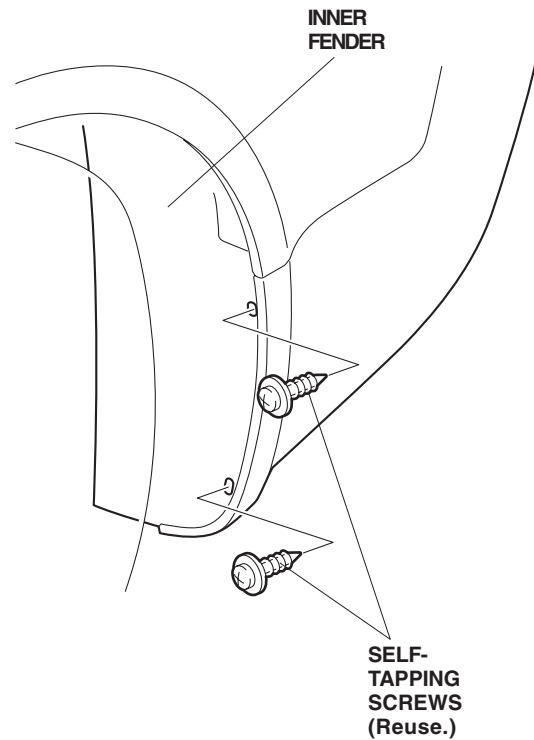
3. Position the left front splash guard on the left inner fender, with the tang from the splash guard around the side sill. Reinstall the four self-tapping screws.



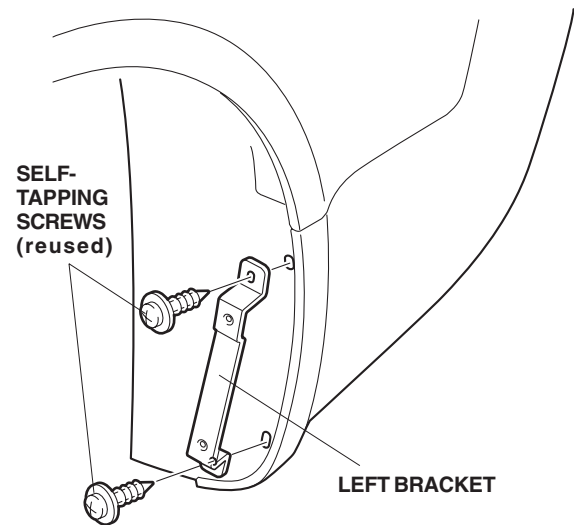
4. Turn the steering all the way clockwise and repeat step 2 and 3 to install the right front splash guard.

Installing the Rear Splash Guards

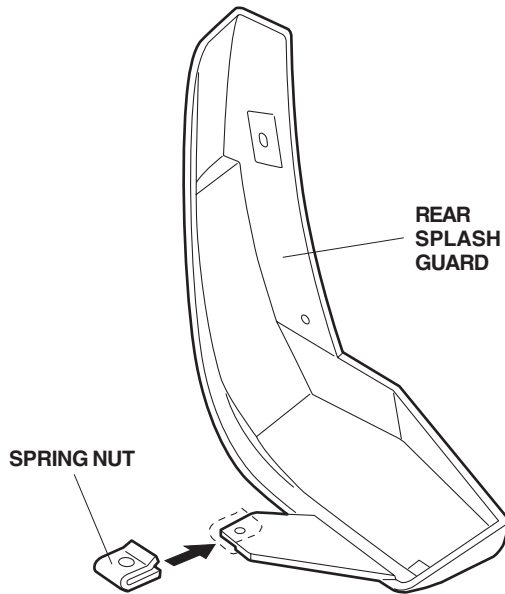
5. Remove and retain the two self-tapping screws that secure the left inner fender to the rear bumper.



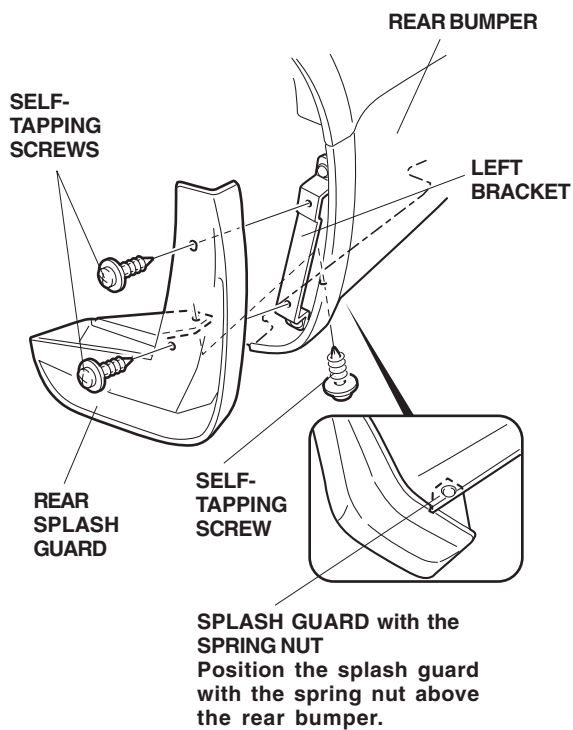
6. Position the left bracket on the inner fender, and reinstall the two self-tapping screws.



7. Slide one spring nut over the rear splash guard in the area shown.



8. Position the left rear splash guard on the left bracket and rear bumper with the spring nut above the bumper. Install the rear splash guard with three self-tapping screws. While holding the splash guard against the bumper to eliminate any gaps, tighten the self-tapping screws.



9. Repeat steps 5 through 8 to install the right rear splash guard.