



INSTALLATION INSTRUCTIONS

Accessory

WOOD-GRAIN METER TRIM PANEL
P/N 08Z03-S3V-200A

Application

2004 MDX

Publications No.

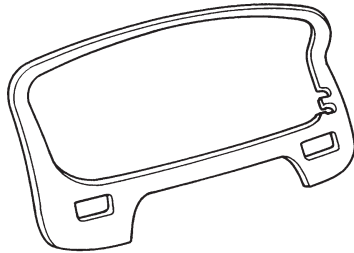
BII 25832

Issue Date

SEP 2003

PARTS LIST

Wood-grain meter trim panel



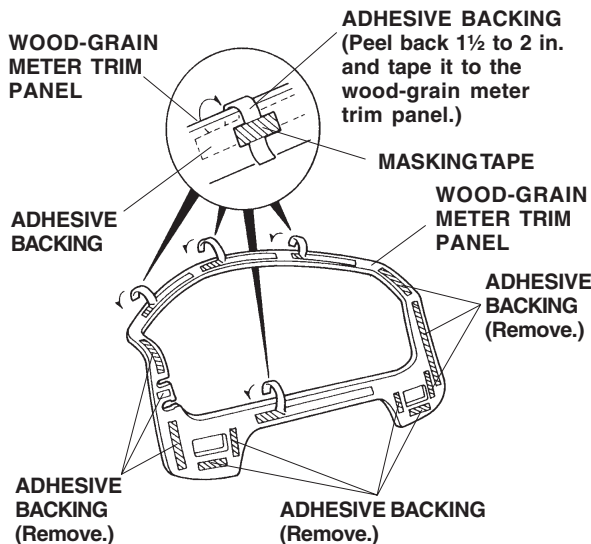
SUPPLIES REQUIRED

Isopropyl alcohol
Shop towel
Masking tape

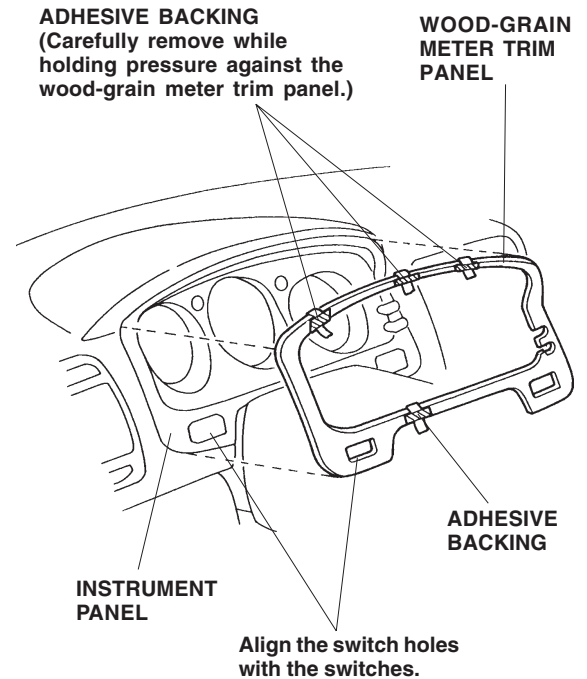
INSTALLATION

NOTE: The wood-grain meter trim panel should be installed only when the ambient air temperature is 60°F (15°C) or above.

- Using isopropyl alcohol on a shop towel, thoroughly clean the area where the wood-grain meter trim panel will attach. Allow the isopropyl alcohol to dry completely before attaching the wood-grain meter trim panel.
- Along the top and bottom of the opening in the wood-grain meter trim panel, peel back 1½ to 2 inches of the four adhesive backings, and tape each one of them to the front of the wood-grain meter trim panel with a piece of masking tape.



- Remove the adhesive backing from all of the other locations.
- Align the switch holes of the wood-grain meter trim panel with the switches of the instrument panel, and attach the wood-grain meter trim panel to the instrument panel.



- Apply pressure against the wood-grain meter trim panel, carefully remove the four adhesive backings you taped to the wood-grain meter trim panel. Continue to apply pressure to the wood-grain meter trim panel with the palm of your hand for 30 seconds.
- Remove the masking tape.