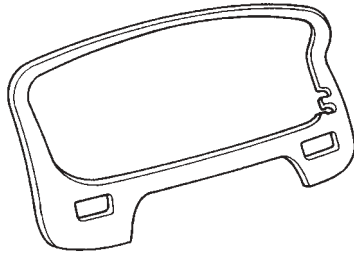


<h1>INSTALLATION INSTRUCTIONS</h1>	Accessory WOOD-GRAIN METER TRIM PANEL P/N 08Z03-S3V-200	Application 2003 MDX	Publications No. BII 24571
			Issue Date OCT 2002

PARTS LIST

Wood-grain meter trim panel



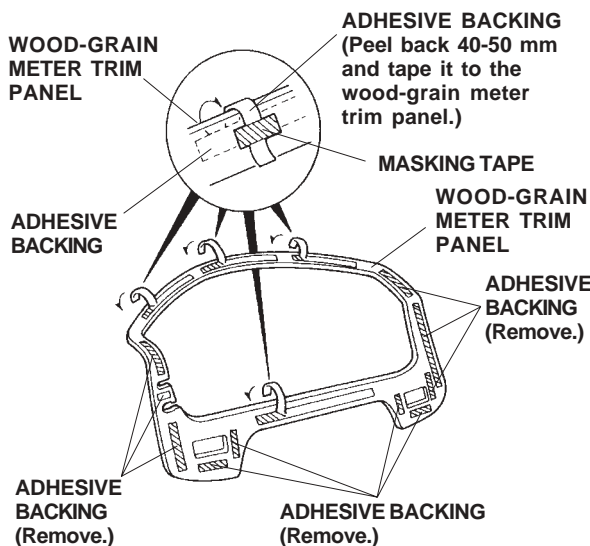
SUPPLIES REQUIRED

- Isopropyl alcohol
- Shop towel
- Masking tape

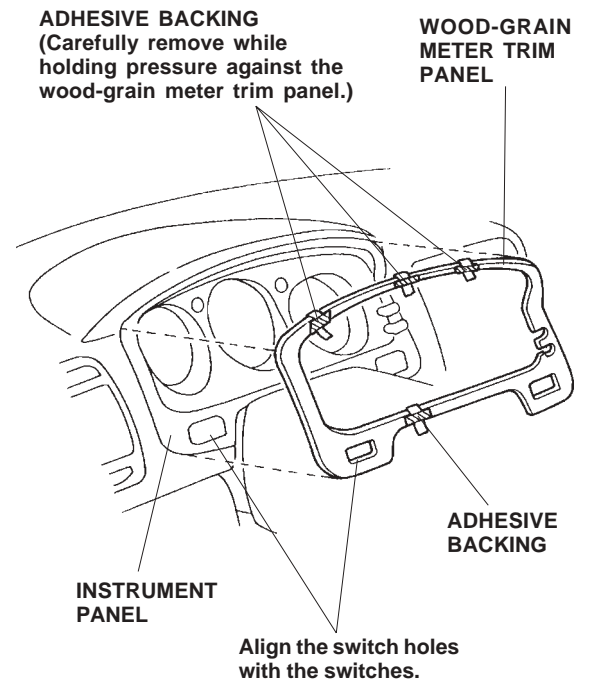
INSTALLATION

NOTE: The wood-grain meter trim panel should be installed only when the ambient air temperature is 60°F (15°C) or above.

1. Using isopropyl alcohol on a shop towel, thoroughly clean the area where the wood-grain meter trim panel will attach. Allow the isopropyl alcohol to dry completely before attaching the wood-grain meter trim panel.
2. Along the top and bottom of the opening in the wood-grain meter trim panel, peel back 40 to 50 mm of the four adhesive backings, and tape each one of them to the front of the wood-grain meter trim panel with a piece of masking tape.



3. Remove the adhesive backing from all of the other locations.
4. Align the switch holes of the wood-grain meter trim panel with the switches of the instrument panel, and attach the wood-grain meter trim panel to the instrument panel.



5. Apply pressure against the wood-grain meter trim panel, carefully remove the four adhesive backings you taped to the wood-grain meter trim panel. Continue to apply pressure to the wood-grain meter trim panel with the palm of your hand for 30 seconds.
6. Remove the masking tape.