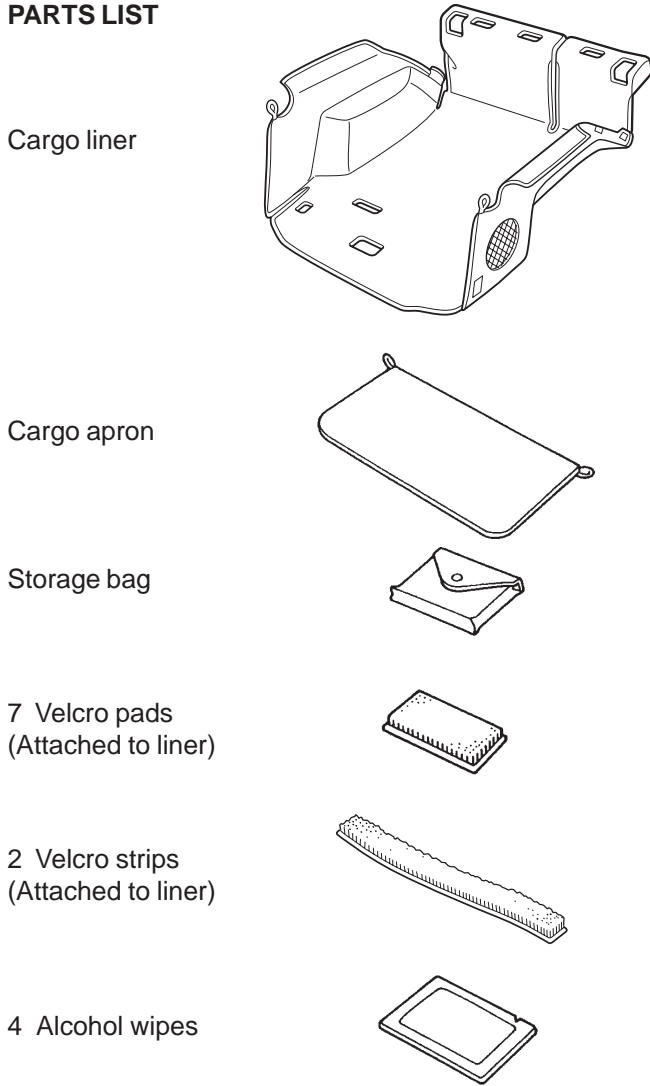


<h1>INSTALLATION INSTRUCTIONS</h1>	Accessory CARGO LINER P/N 08P42-S3V-200	Application 2003 MDX	Publications No. BII 24548
			Issue Date SEP 2002

Keep this information in the glove box for future reference.

PARTS LIST

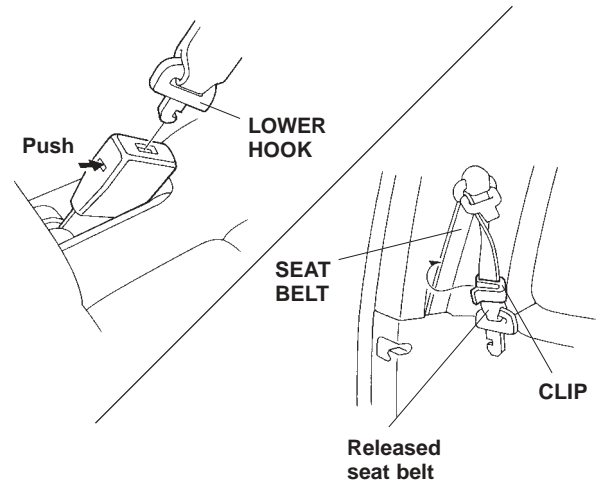


INSTALLATION

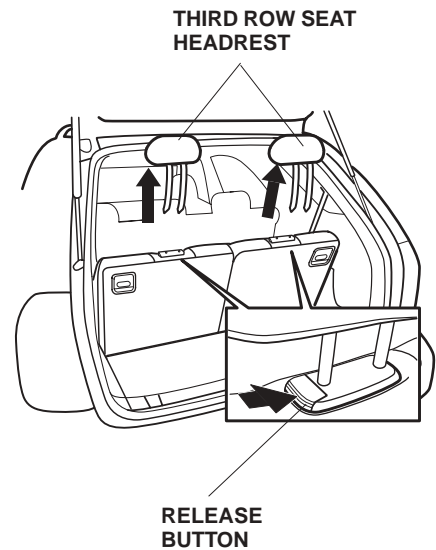
NOTE: Before closing the tailgate, remove the cargo apron from the cargo cover or place it in the storage position.

Installing the Cargo Cover

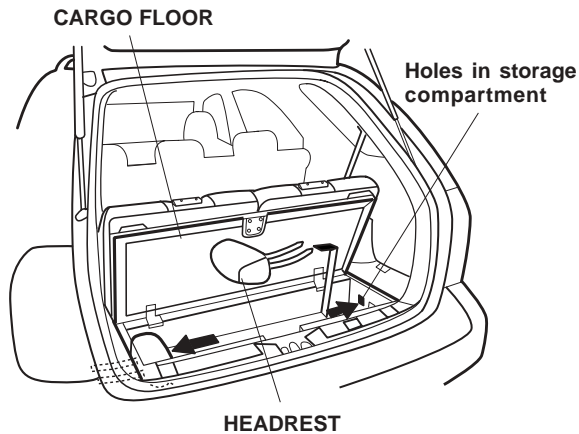
- Using the ignition key, release the seat belt lower hook from each third row seat, then attach the seat belt clip to the seat belt.



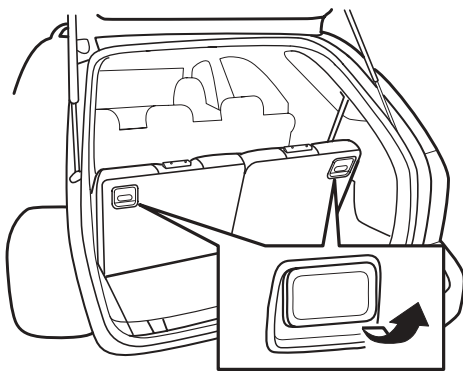
- Remove the headrests from the third row seats by pushing the release buttons and pulling the headrests out.



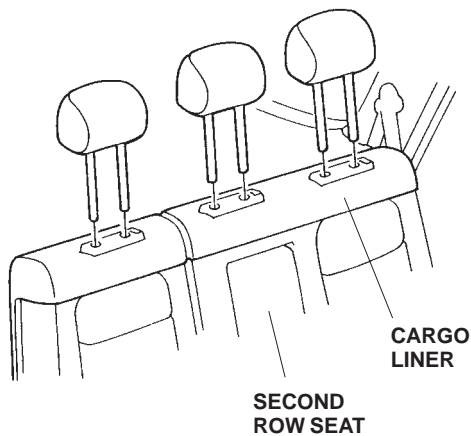
3. Store the headrests in the storage compartment under the cargo floor. Insert the shafts of the headrests into the holes in the sides of the storage compartment.



4. Fold down both of the third row seats.

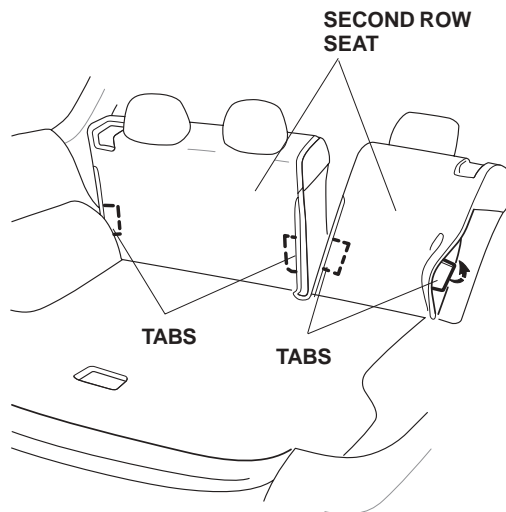


5. Remove the headrests from the second row seats by pushing the release buttons and lifting the headrests out.

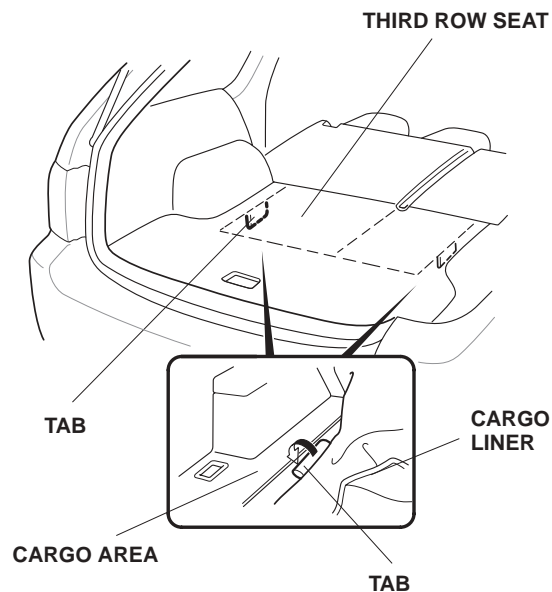


6. Install the cargo liner over the second row seats, and reinstall the headrests.

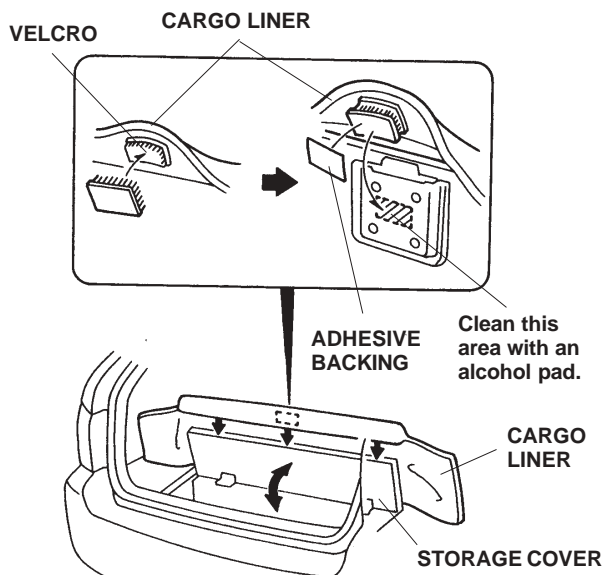
7. With the second row seats partially folded down, install the four tabs into the sides of the second row seats.



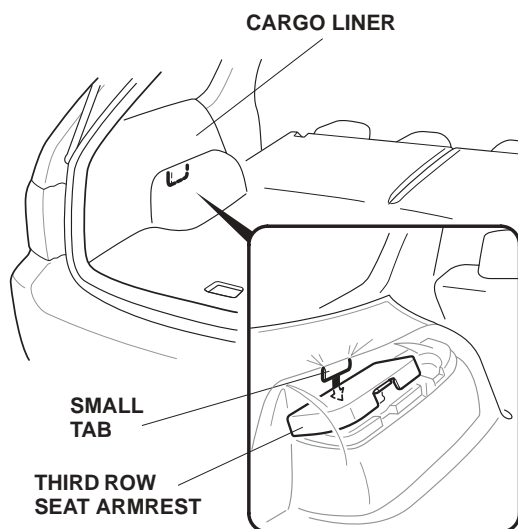
8. Fold down both of the second row seats.
9. Insert the two tabs (one on each side) attached to the cargo liner into the seam between the third row seats and the floor.



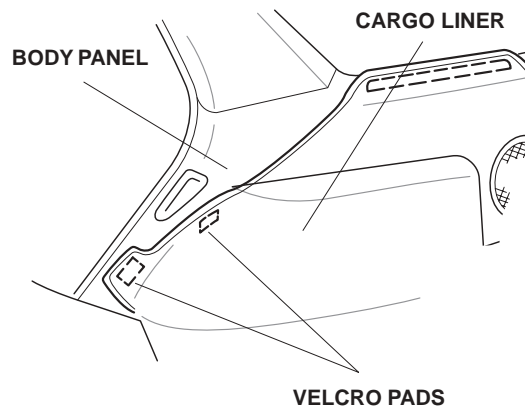
- Open the floor storage compartment, and fit the pocket of the cargo liner around the storage compartment cover.



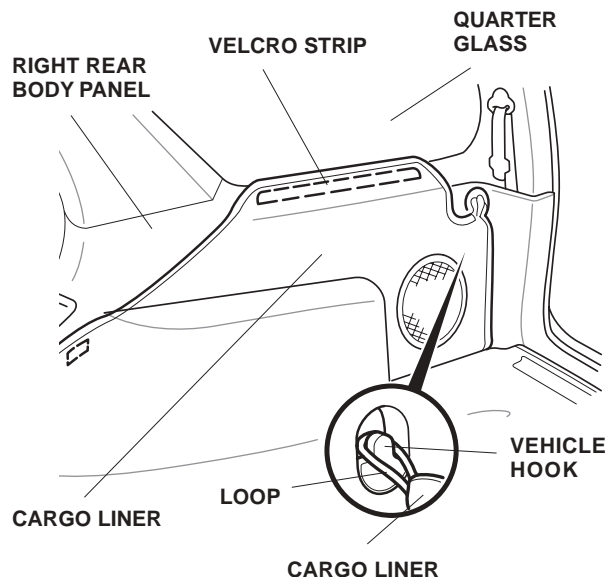
- Turn over the cargo liner, and attach the Velcro pad onto the Velcro sewn to the cargo liner. Using one alcohol pad, clean the area where the Velcro pad will attach.
- Remove the adhesive backing from the Velcro pad, and attach the Velcro pad to the storage compartment cover. Press the Velcro pad firmly against the cover with the palm of your hand for 30 seconds.
- Open the third row seat armrest. While holding the armrest partially open, insert the small tab on the cargo liner into the area behind the armrest; close the armrest. Insert the cargo liner tab on the other side in the same manner.



- Along the front edge of the right rear fenderwell, locate the Velcro pads attached to the cargo liner. Pull the liner snug and locate the area on the body panel where the Velcro pads will attach. Using one alcohol wipe, clean the area where the Velcro pads will attach.

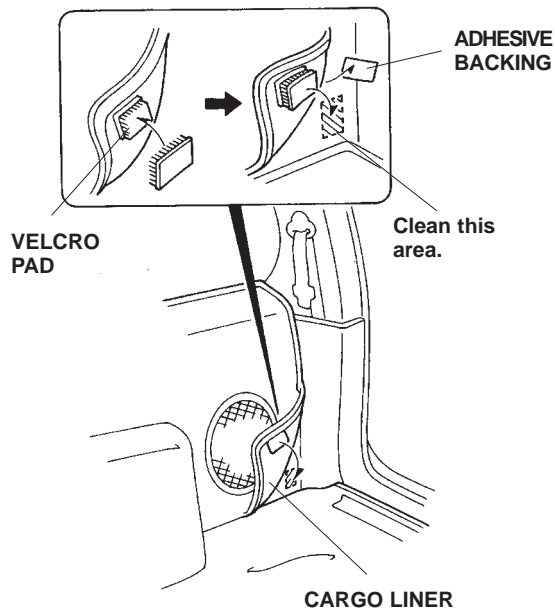


- Remove the adhesive backing from each Velcro pad, fold the cargo liner over, and attach the Velcro pads to the right body panel. Press the Velcro pads firmly against the body panel with the palm of your hand for 30 seconds.
- Along the right rear body panel near the rear quarter glass, fit the liner into place. Locate the Velcro strip attached to the cargo liner, and note its location along the body panel. Using one alcohol wipe, clean the area where the Velcro strip will attach.



- Remove the adhesive backing from the Velcro strip, fold the cargo liner over, and attach the strip to the right body panel. Press the Velcro strip firmly against the body panel with the palm of your hand for 30 seconds.
- Attach the loop at the rear of the cargo liner to the vehicle hook.

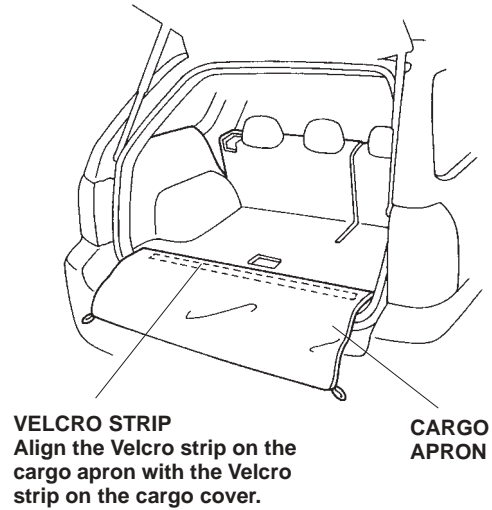
- At the right rear corner near the floor, locate the Velcro pad attached to the cargo liner, and note its location on the body panel. Using one alcohol wipe, clean the area where the Velcro pad will attach.



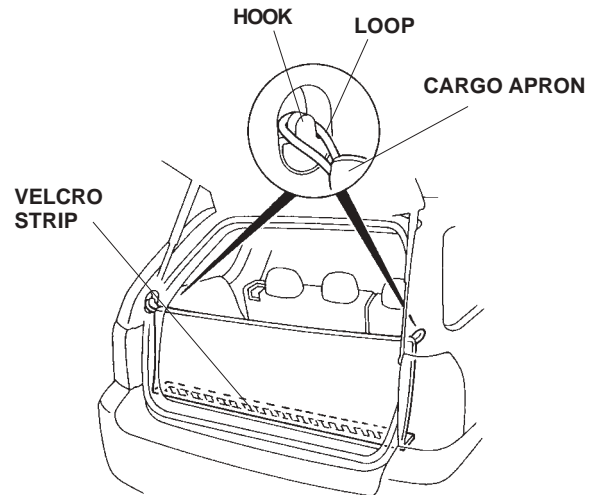
- Remove the adhesive backing from the Velcro pad, fold the cargo liner over, and attach the Velcro pad to the right body panel. Press the Velcro pad firmly against the body panel with the palm of your hand for 30 seconds.
- Repeat steps 14 through 20 to install the cargo liner to the left body panel.

Installing the Cargo Apron

- Attach the Velcro strip on the cargo apron to the Velcro strip on the cargo liner.



- Attach the loops of the cargo apron to the vehicle hooks in the cargo area.



CLEANING THE CARGO LINER

To clean the cargo liner, wipe with a solution of mild detergent and water on a soft cloth or sponge; then wipe dry with a clean cloth or sponge.