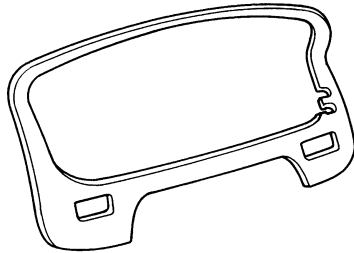


| | | | |
|--------------------------------------|--|------------------------------------|--------------------------------------|
| INSTALLATION INSTRUCTIONS | Accessory WOOD TRIM PANEL P/N 08Z03-S3V-200 | Application 2002 MDX | Publications No. BII 23301 |
| | | | Issue Date NOV 2001 |

PARTS LIST

Wood trim panel



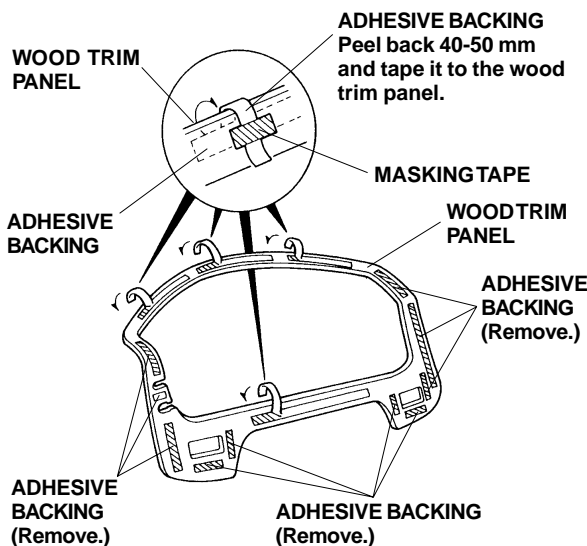
SUPPLIES REQUIRED

- Isopropyl alcohol
- Shop towel
- Masking tape

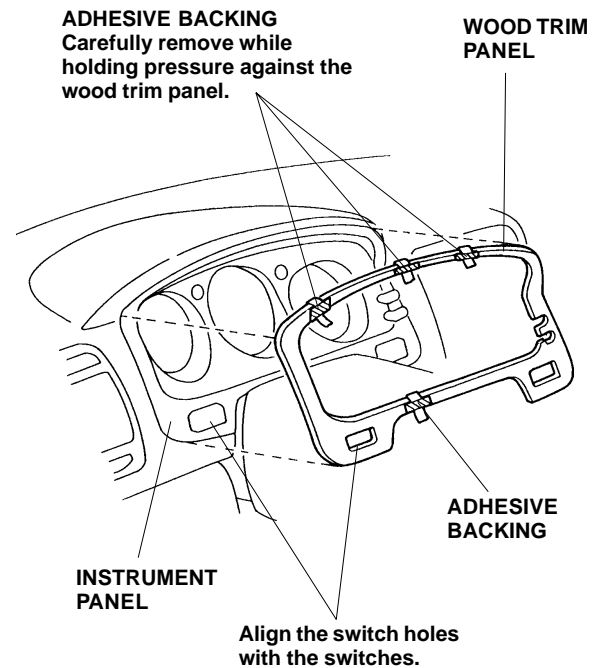
INSTALLATION

NOTE: The wood trim panel should be installed only when the ambient air temperature is 60°F (15°C) or above.

1. Using isopropyl alcohol on a shop towel, thoroughly clean the area where the wood trim panel will be attached. Allow the isopropyl alcohol to dry completely before attaching the wood trim panel.
2. Along the top and bottom of the opening in the wood trim panel, peel back 40 to 50 mm of the four adhesive backings, and tape each one to the front of the wood trim panel with a piece of masking tape.



3. Remove the adhesive backing from all of the other locations.
4. Align the switch holes of the wood trim panel with the switches of the instrument panel, and attach the wood trim panel to the instrument panel.



5. While applying pressure against the wood trim panel, carefully remove the four adhesive backings you taped to the wood trim panel.
6. Remove the masking tape.