



INSTALLATION INSTRUCTIONS

Accessory

WOOD TRIM PANEL
P/N 08Z03-S3V-200

Application

2001 MDX

Publications No.

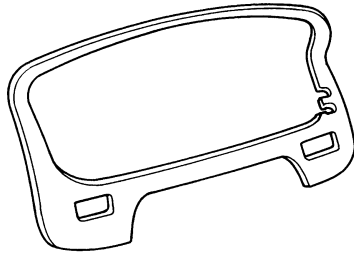
BII 21509

Issue Date

SEP 2000

PARTS LIST

Wood trim panel



SUPPLIES REQUIRED

Isopropyl alcohol

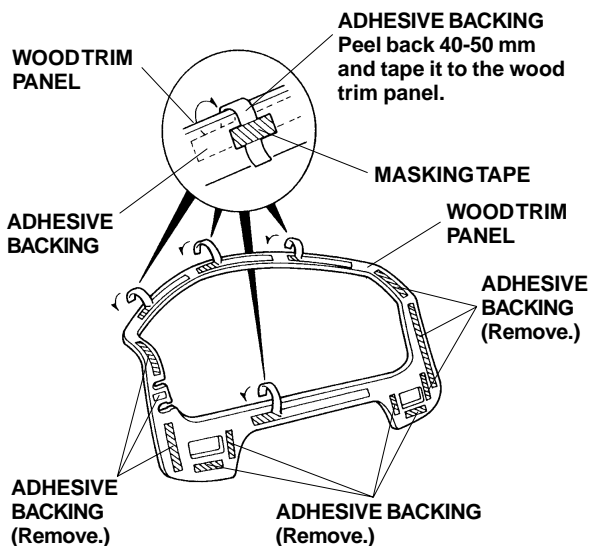
Shop towel

Masking tape

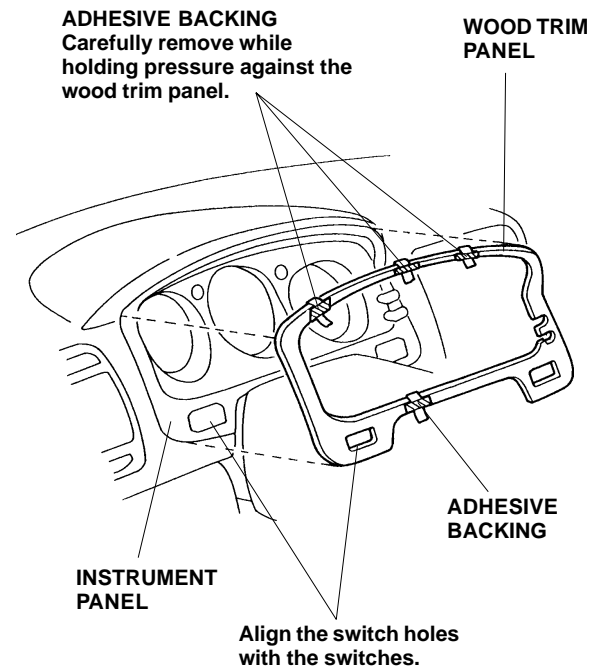
INSTALLATION

NOTE: The wood trim panel should be installed only when the ambient air temperature is 60°F (15°C) or above.

1. Using isopropyl alcohol on a shop towel, thoroughly clean the area where the wood trim panel will be attached. Allow the isopropyl alcohol to dry thoroughly before attaching the wood trim panel.
2. Along the top and bottom of the opening in the wood trim panel, peel back 40 to 50 mm of the four adhesive backings, and tape each one to the front of the wood trim panel with a piece of masking tape.



3. Remove the adhesive backing from all of the other locations.
4. Align the switch holes of the wood trim panel with the switches of instrument panel, and attach the wood trim panel to the instrument panel.



5. While holding pressure against the wood trim panel, carefully remove the four adhesive backings you taped to the wood trim panel.
6. Remove the masking tape.