



# INSTALLATION INSTRUCTIONS

Accessory

**SIDE STEPS**  
P/N 08L33-S3V-200F

Application

**2001 MDX**

Publications No.

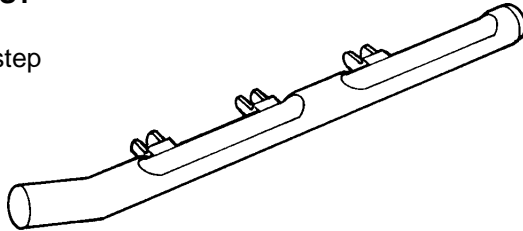
**BII 21505**

Issue Date

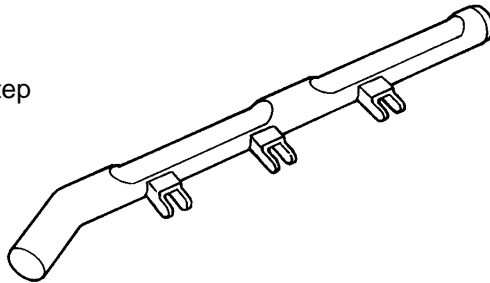
**SEP 2000**

## PARTS LIST

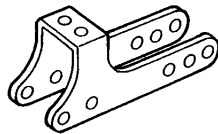
Left side step



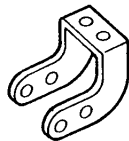
Right side step



6 "A" Brackets



6 "B" Brackets



24 Long flange bolts



48 Short flange bolts



48 Flange nuts



## TOOLS REQUIRED

- Ratchet
- 13 mm Socket
- 13 mm Combination wrench
- Torque wrench

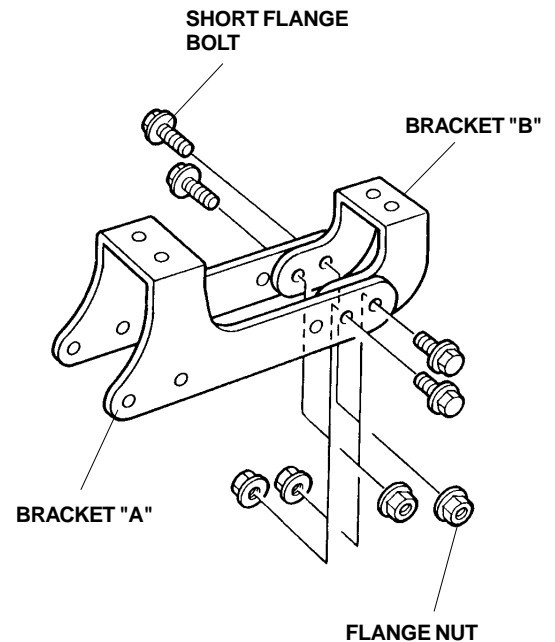
## INSTALLATION

### NOTE:

- Thoroughly clean the bottom of the body from the rear of the front wheels up to the front of the rear wheels.
- Be extremely careful not to damage the body paint finish.
- These instructions show the left side step being installed; the same procedure applies to installing the right side step.

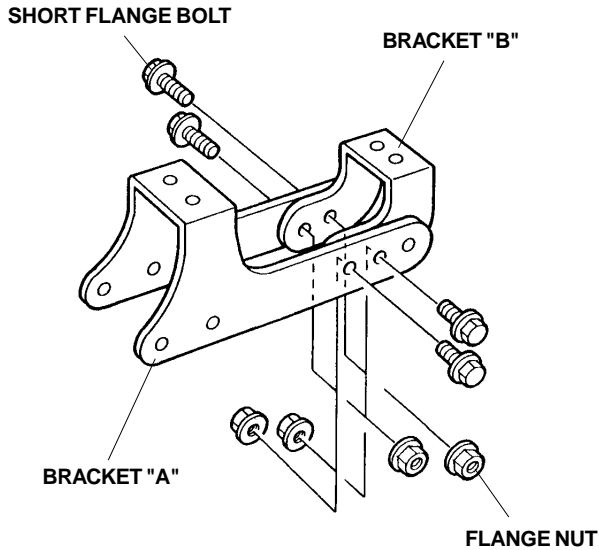
1. Assemble two front bracket assemblies, using brackets "A" and "B" along with four short flange bolts and four flange nuts. Leave the nuts and bolts loose at this time.

### *Front Bracket Assembly:*

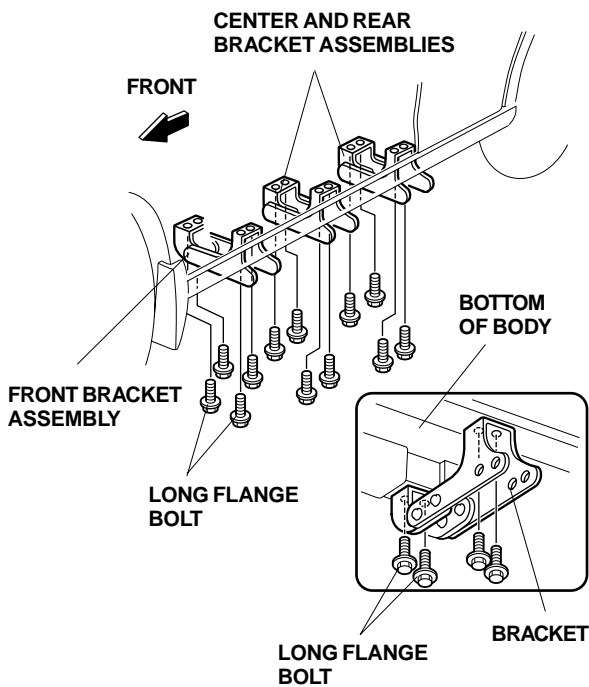


- Assemble four center and rear bracket assemblies, using brackets "A" and "B" along with four short flange bolts and four flange nuts. Leave the nuts and bolts loose at this time.

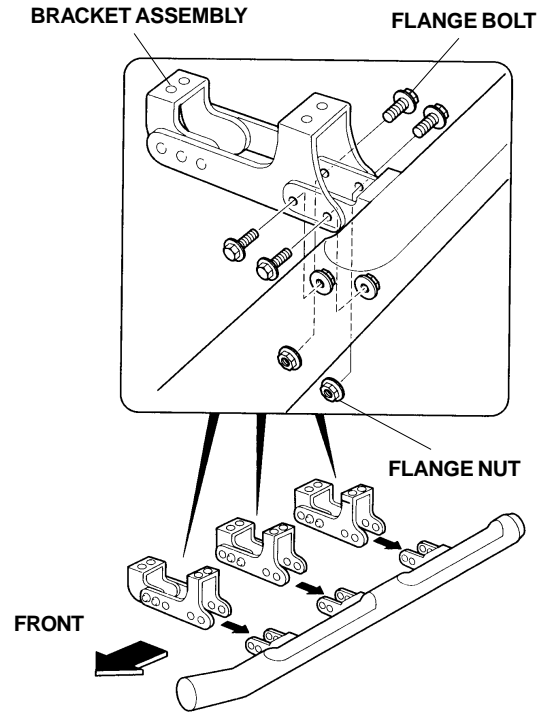
**Center and Rear Bracket Assembly:**



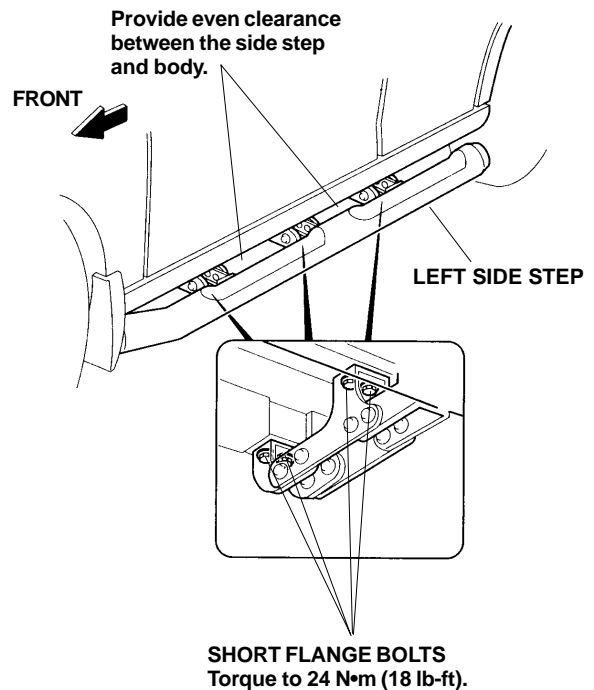
- At the left side of the vehicle, install one bracket assembly at the front, one at the center, and one at the rear along the body using 12 long flange bolts. Thread the long flange bolts in about 3 or 4 threads.



- Install the left side step to the bracket assemblies using 12 short flange bolts and 12 flange nuts. Torque the flange bolts to 24 N•m (18 lb-ft).



- Adjust the location of the left side step so that the clearance is even between the side step and the body. Torque the short flange bolts you installed in steps 1 and 2 to 24 N•m (18 lb-ft).



- Repeat steps 1 through 5 to install the right side step on the vehicle.