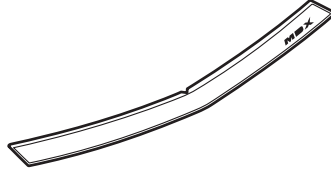
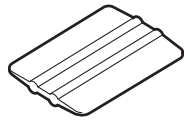


PARTS LIST

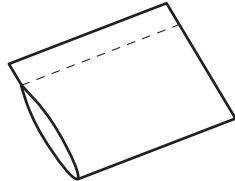
Rear bumper applique



Applicator



Soft sleeve



TOOLS AND SUPPLIES REQUIRED

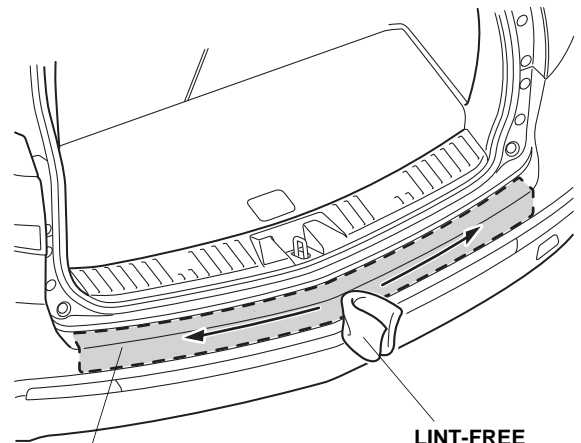
- Isopropyl alcohol
- Lint-free shop towel
- Masking tape
- Spray bottle
- 3M Protective tape application solution (P/N 08712-0008)

INSTALLATION

Client Information: The information in this installation instruction is intended for use only by skilled technicians who have the proper tools, equipment, and training to correctly and safely add equipment to your vehicle. These procedures should not be attempted by “do-it-yourselfers.”

NOTE:

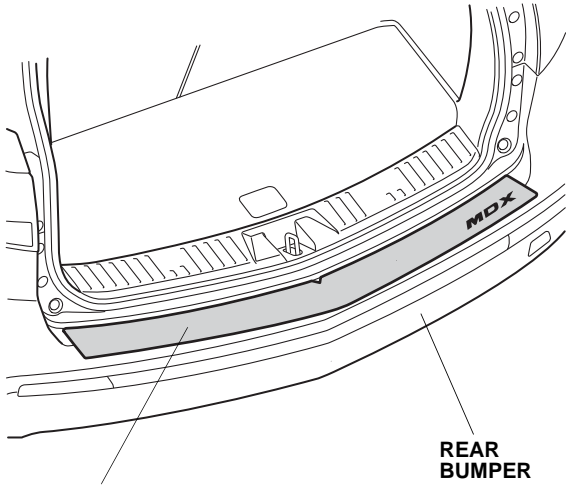
- Be careful not to damage the rear bumper and other finished surfaces of the body.
 - This rear bumper applique should be installed only if the ambient air temperature is 15°C (60°F) or above.
 - To allow the adhesive to cure, do not wash the vehicle for 24 hours. Please advise the client.
1. Open the tailgate. Using isopropyl alcohol on a lint-free shop towel, thoroughly clean the rear bumper where the rear bumper applique will attach.



REAR BUMPER APPLIQUE LOCATION
 Clean using isopropyl alcohol.

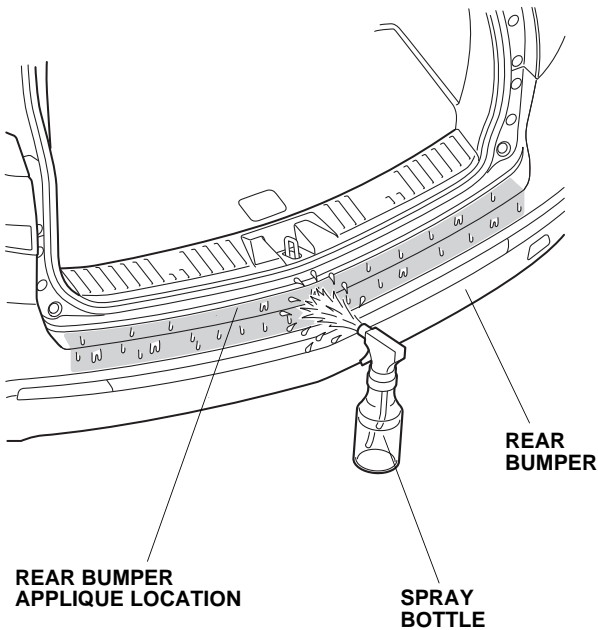
LINT-FREE SHOP TOWEL

- Align the rear bumper applique to the rear bumper and check the rear bumper applique attaching position.

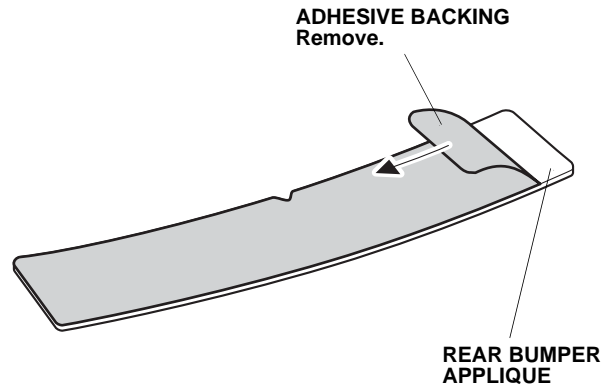


REAR BUMPER APPLIQUE
Check the rear bumper applique attaching position.

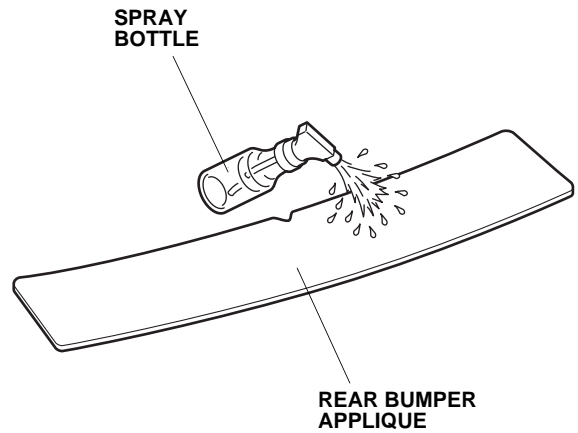
- Remove the rear bumper applique.
- Using a spray bottle with 3M protective tape application solution, spray the rear bumper where the rear bumper applique will attach.



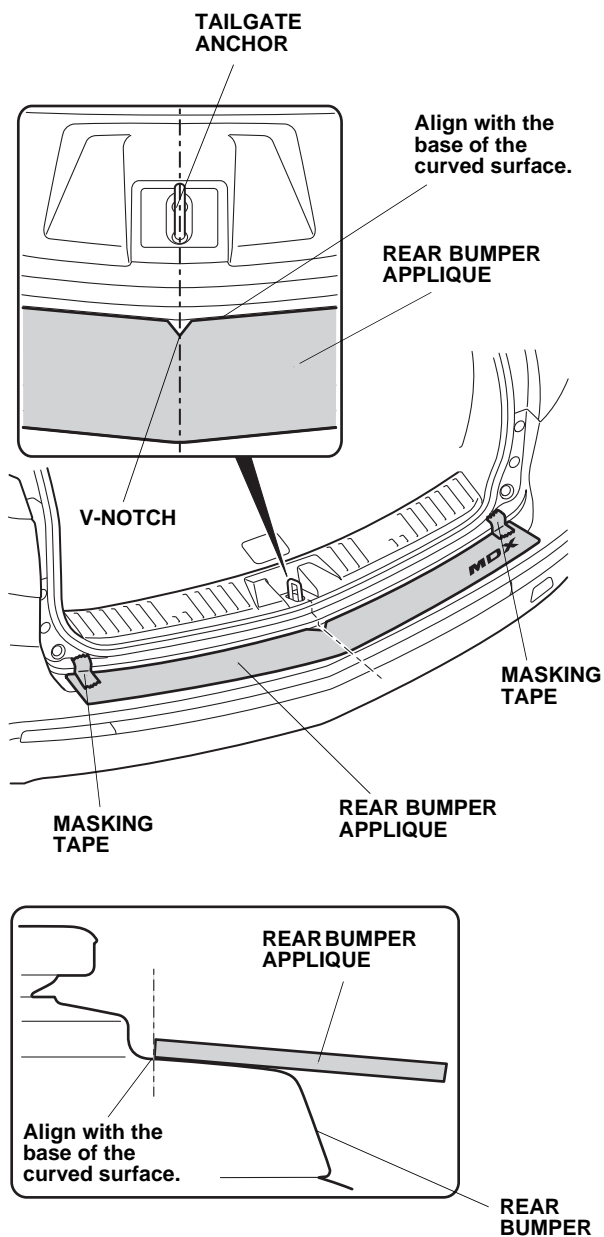
- Remove the adhesive backing from the rear bumper applique.



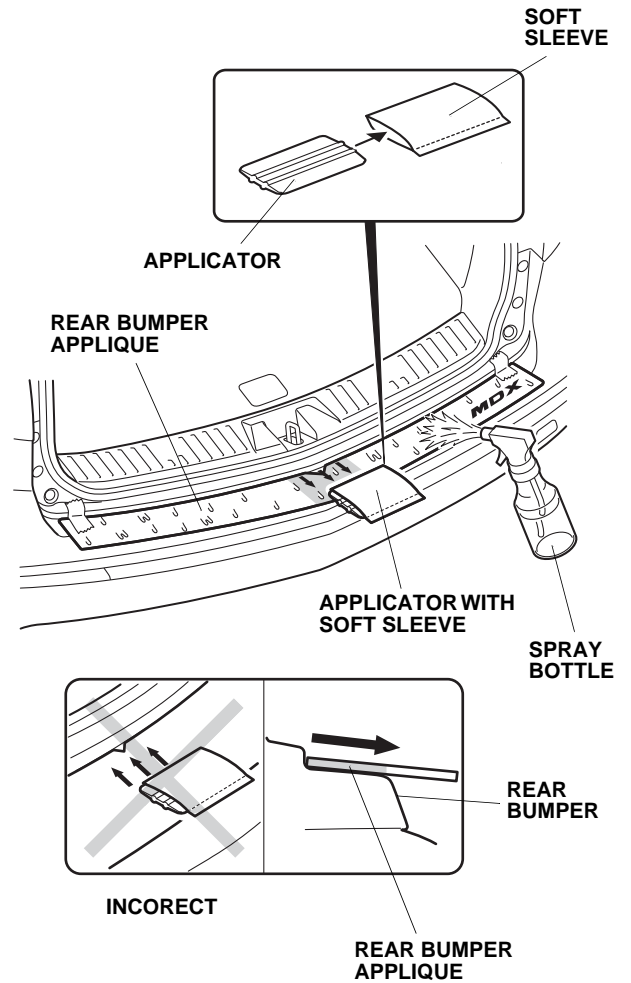
- Spray the rear bumper applique with 3M protective tape application solution.



- Align the V-notch in the rear bumper applique with the center of the tailgate anchor as shown. Smooth the rear bumper applique against the rear bumper and tape each end at the curved surface.

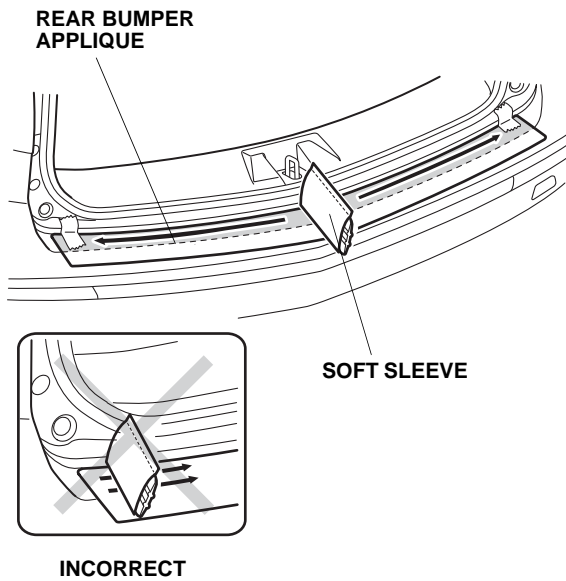


- Insert the applicator into the soft sleeve.

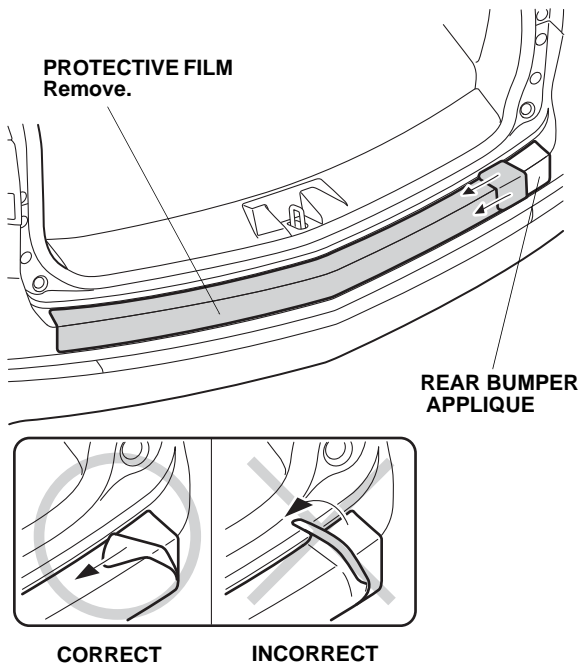


- Using a spray bottle with 3M protective tape application solution, spray the top of the rear bumper applique.
- Using the soft sleeve, apply pressure to smooth out the top surface at the center of the rear bumper applique using downward strokes.

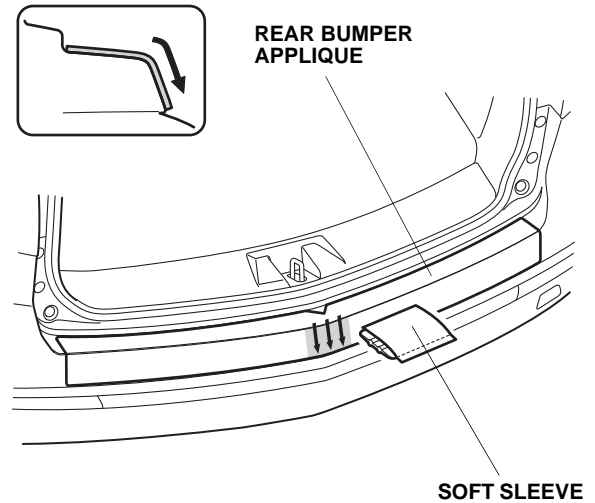
- Starting from the center and working outward, use the soft sleeve to smooth the rear bumper applique. Stroke in one direction only, with a quick motion.



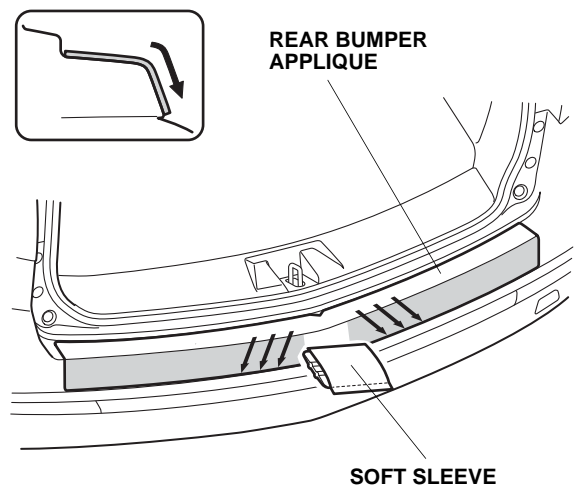
- Remove the masking tape attached in step 7.
- Remove the protective film from the top of the rear bumper applique. Remove the protective film by pulling it slowly and horizontally; do not pull vertically.



- Once the flat surface is completely smooth with no bubbles, use the soft sleeve to adhere the rear bumper applique to the rounded rear edge at the center as shown.



- Use the soft sleeve to adhere the rear bumper applique to the rounded edge on the left side as shown. Start in the center and work outward. Repeat on the right side.



- 16. Use a lint-free shop towel to rub across and down on the rounded rear edge. Allow the rear bumper applique to dry thoroughly.

