



INSTALLATION INSTRUCTIONS

Accessory
SPLASH GUARDS

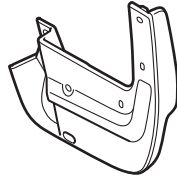
Application
2012 TL

Publications No.
BII 45424
Issue Date
MAR 2011

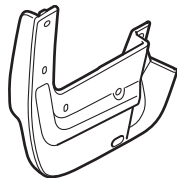
Splash guards cannot be installed on a vehicle equipped with side under spoilers or rear under spoilers.

PARTS LIST

Left front splash guard



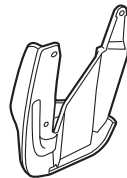
Right front splash guard



Left rear splash guard



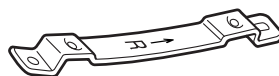
Right rear splash guard



Left bracket



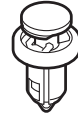
Right bracket



4 Self-tapping screws, 5 x 16 mm



2 Clips



2 Self-tapping screws, 5 x 20 mm



2 Spring nuts



TOOLS AND SUPPLIES REQUIRED

Stubby Phillips screwdriver

High-quality paste wax

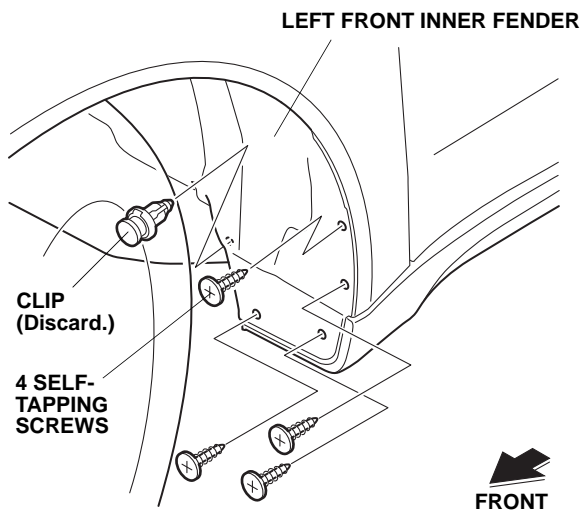
INSTALLATION

NOTE:

- These installation instructions show the left splash guards being installed. The same procedure applies to installing the right splash guards.
- Clean and wax the areas to be covered with a high-quality paste wax.

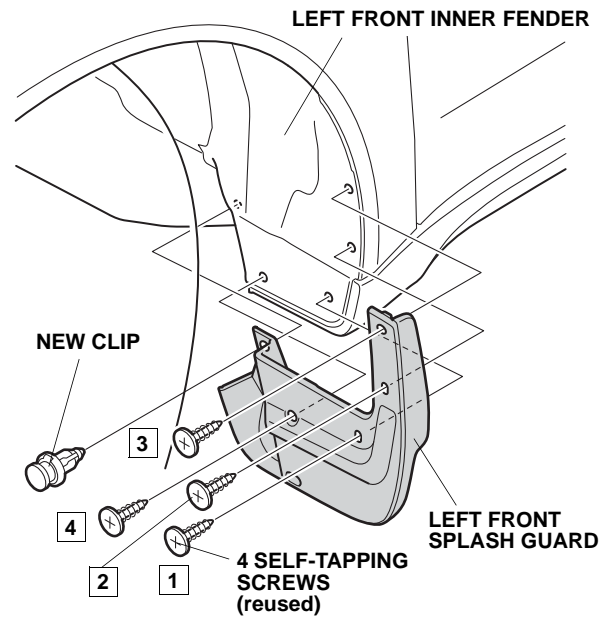
Installing the Front Splash Guards

1. Turn the steering wheel fully counterclockwise.



2. Remove the four self-tapping screws and one clip from the left front inner fender.

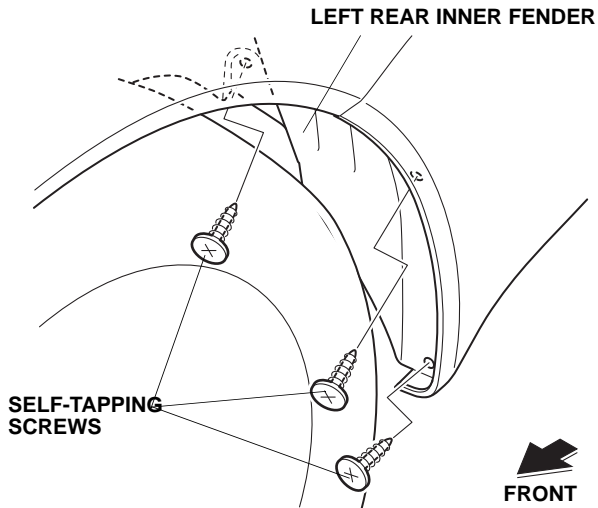
3. Loosely secure the left front splash guard on the left front inner fender with four self-tapping screws.



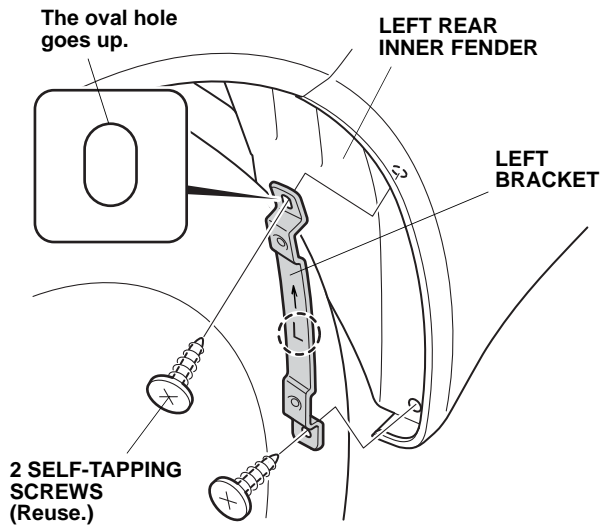
4. While holding the left front splash guard against the left front inner fender, tighten the four self-tapping screws in the order shown. Install the new clip. Make sure there is no gap or looseness between the left front splash guard and the vehicle. If there is, loosen the four self-tapping screws and the clip, adjust the splash guard to remove the gap or looseness, and retighten the fasteners.
5. Turn the steering wheel all the way clockwise, and repeat steps 2 thru 4 to install the right front splash guard.

Installing the Rear Splash Guards

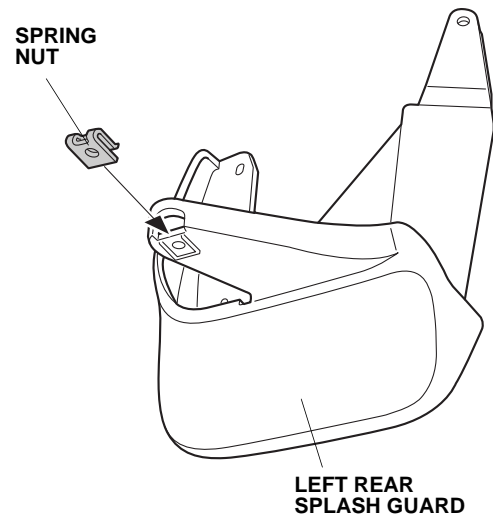
6. Remove the three self-tapping screws from the left rear inner fender.



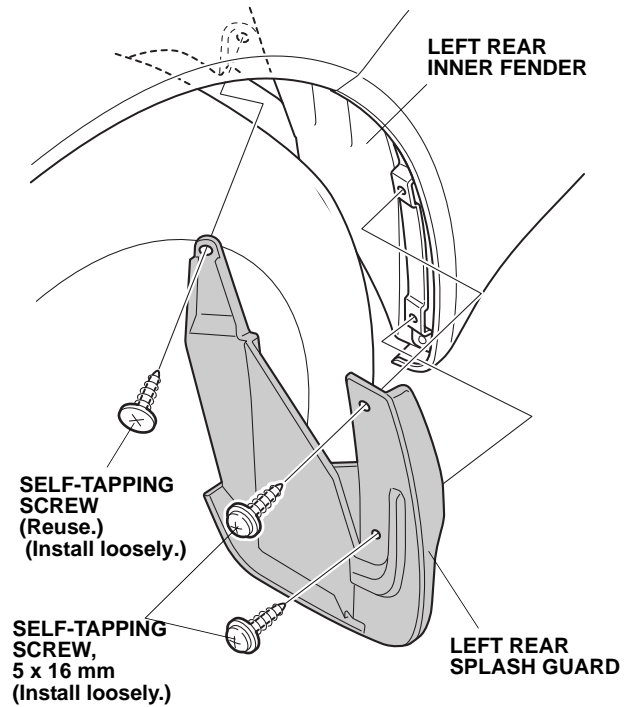
7. Secure the left bracket on the left rear inner fender with two self-tapping screws.



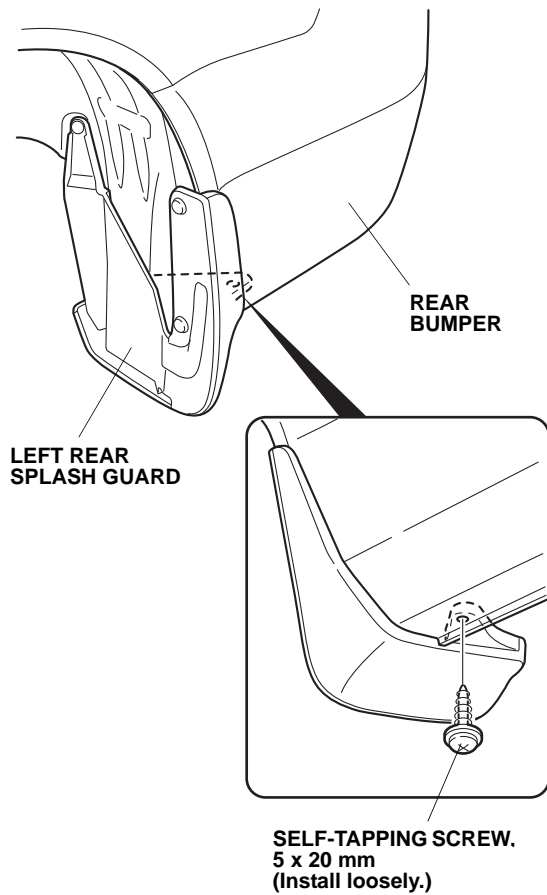
8. Install a spring nut on the left rear splash guard as shown.



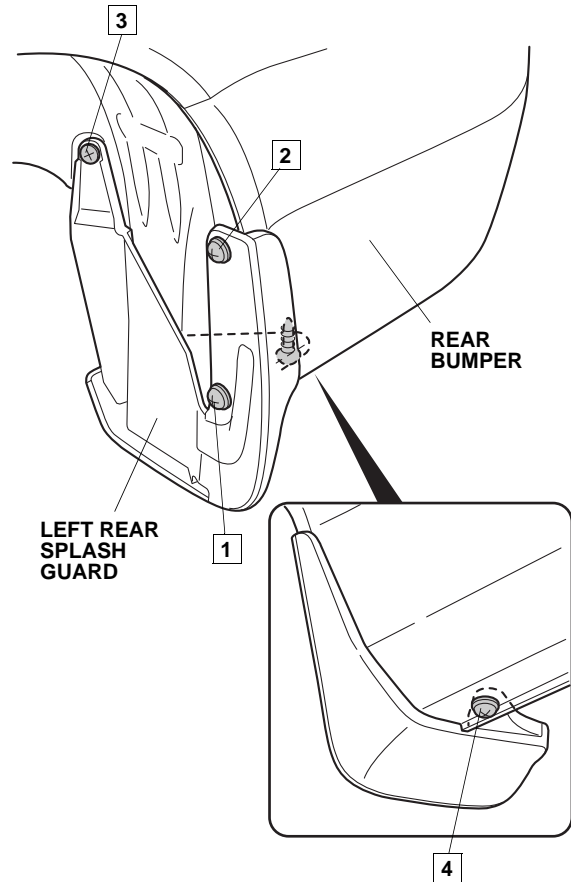
9. Loosely install the left rear splash guard to the left rear inner fender with two 5 x 16 mm self-tapping screws and one self-tapping screw.



10. Loosely secure the left rear splash guard to the rear bumper with a 5 x 20 mm self-tapping screw.



11. While holding the left rear splash guard against the rear bumper, tighten the four self-tapping screws in the order shown. Make sure there is no gap or looseness between the left rear splash guard and the vehicle. If there is, loosen the four self-tapping screws, adjust the splash guard to remove the gap or looseness, and retighten the screws.



12. Repeat steps 6 thru 11 to install the right rear splash guard.