



ACURA INSTALLATION INSTRUCTIONS

Accessory

CARGO ORGANIZER
P/N 08U20-STK-200

Application

2012 RDX

Publications No.

BII 46125

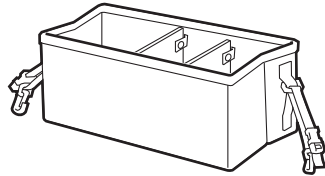
Issue Date

AUG 2011

Put this information in the glove box with the vehicle owner's manual.

PARTS LIST

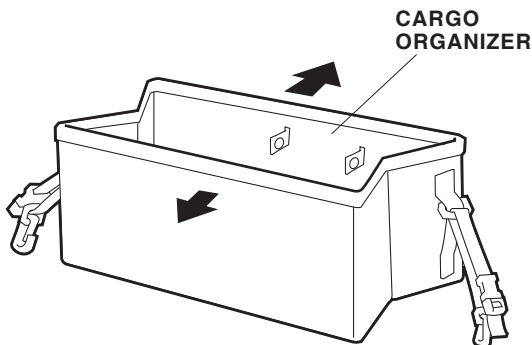
Cargo organizer



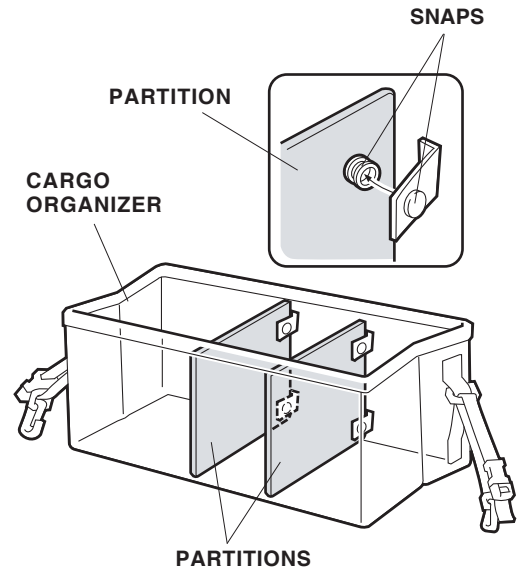
INSTALLATION

NOTE: Before storing articles that have sharp edges or corners, wrap them in paper or a blanket to help prevent damage to the cargo organizer.

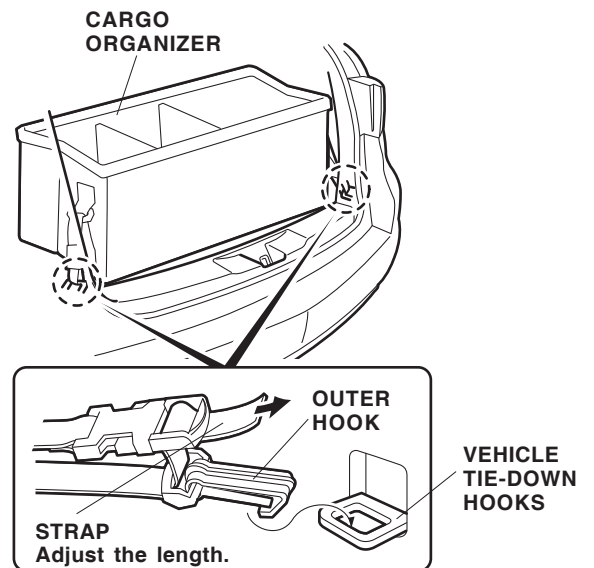
1. Open the cargo organizer.



2. Attach the two partitions to the cargo organizer by connecting the inner snaps.



3. Place the organizer in the cargo area of the vehicle, and attach the outer hooks of the organizer to the vehicle tie-down hooks.



4. Adjust the length of the straps as needed to secure the organizer to the vehicle tie-down hooks.