



INSTALLATION INSTRUCTIONS

Accessory
SOFT CARGO ORGANIZER
P/N 08U20-STK-200

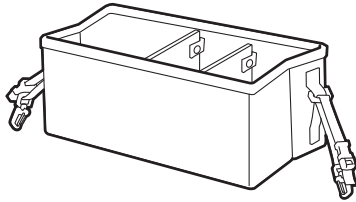
Application
2011 TSX

Publications No.
BII 44972
Issue Date
NOV 2010

Put this information in the glove box with the vehicle owner's manual.

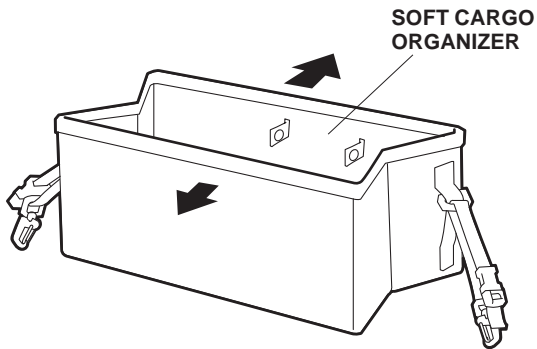
PARTS LIST

Soft cargo organizer

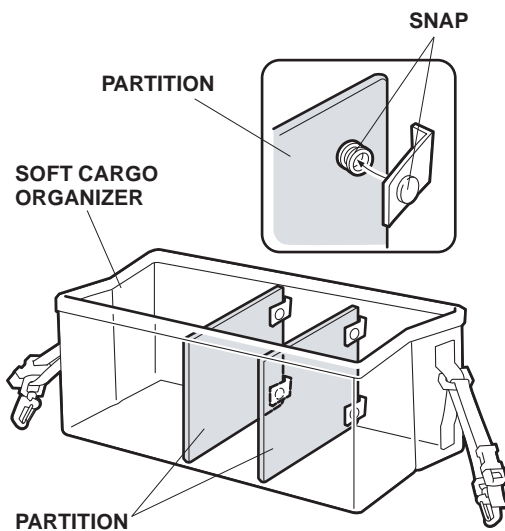


INSTALLATION

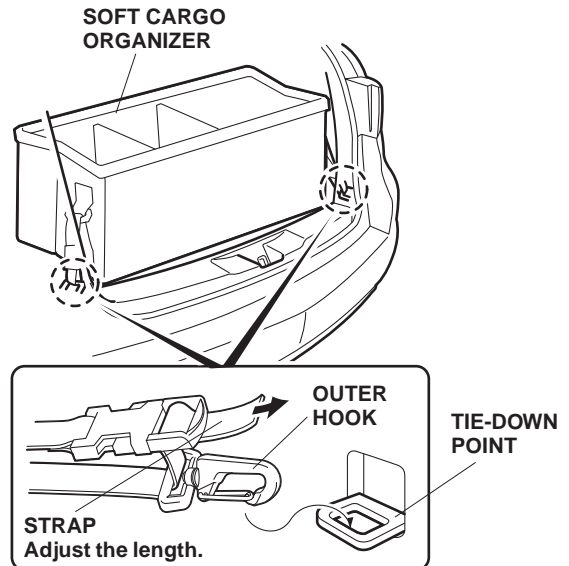
1. Open the soft cargo organizer.



2. Install the two partitions in the cargo organizer and connect the snaps.



3. Place the organizer in the trunk/cargo area of the vehicle, and attach the outer hooks of the organizer to the tie-down points.



4. Adjust the length of the straps as needed to secure the organizer to the tie-down points.

NOTE: Before storing articles that have sharp edges or corners, wrap them in paper or a blanket so the sharp edges or corners do not contact the soft cargo organizer.