



# INSTALLATION INSTRUCTIONS

Accessory

MOONROOF VISOR  
P/N 08R01-TL2-200

Application

2011 TSX

Publications No.

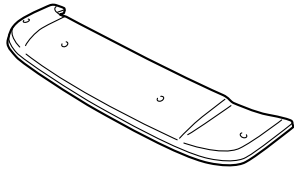
BII 44986

Issue Date

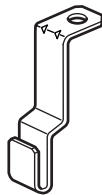
NOV 2010

## PARTS LIST

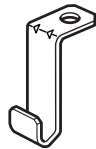
Moonroof visor



2 Front brackets



2 Side brackets



4 Screws



4 Nuts



4 Protective tapes



## TOOLS AND SUPPLIES REQUIRED

Phillips screwdriver

10 mm Combination wrench

Ruler

Isopropyl alcohol

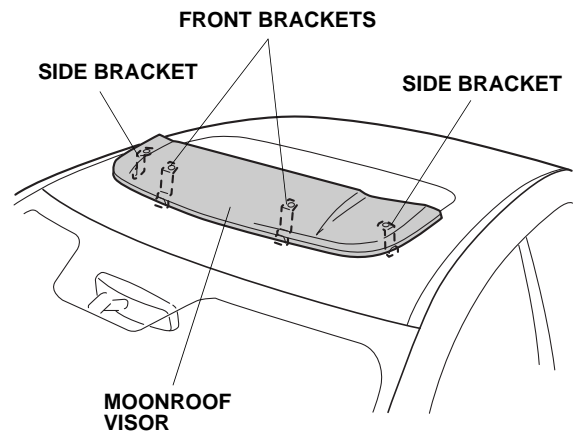
Shop towel

Masking tape

Felt-tip pen

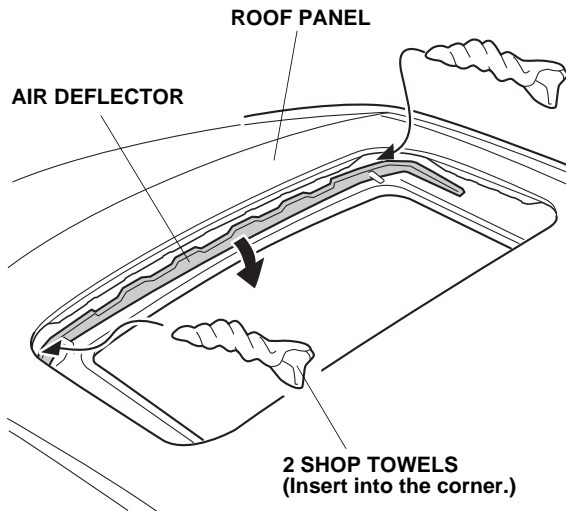
Torque wrench

*Illustration of the Moonroof Visor Installed on the Vehicle*

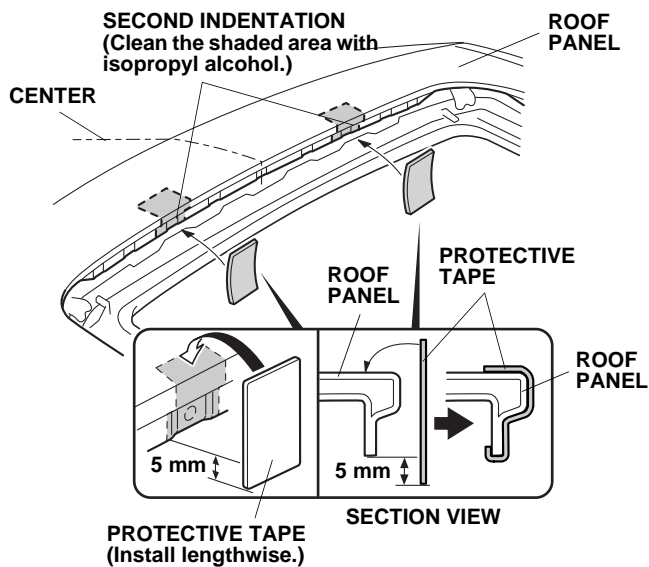


## INSTALLATION

1. Clean the roof area to be covered, and wax the area with a high-quality paste wax.
2. Open the moonroof.
3. Roll up two shop towels, and insert them between the roof panel and air deflector to lower the air deflector. Take care not to damage the air deflector.

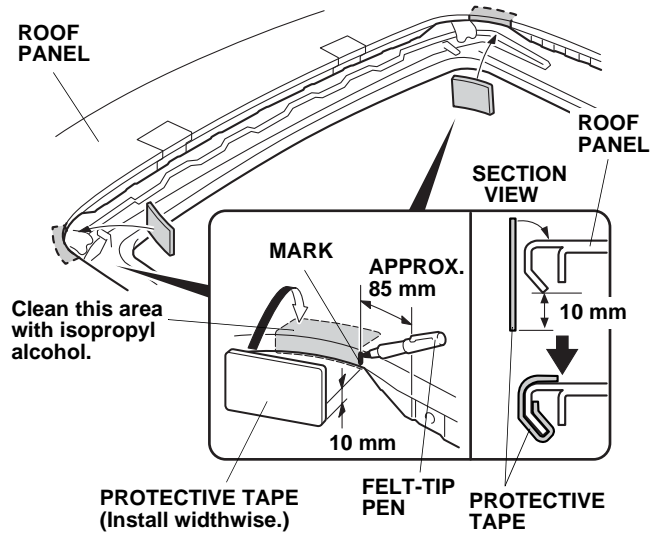


4. Locate the second indentations to left and right of center as shown. Using isopropyl alcohol on a shop towel, clean the roof area where the protective tape will attach.



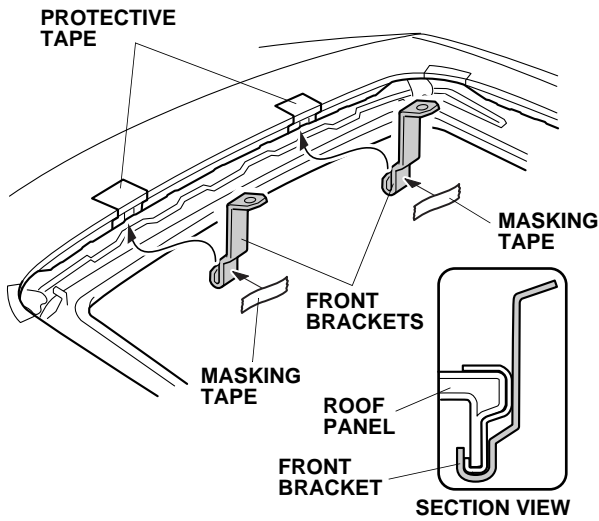
5. Remove the adhesive backing, and install one protective tape at each indentation. Wrap 5 mm of protective tape around the lip of the moonroof opening.

6. At the right front corner of the moonroof opening, mark with a felt-tip pen at the rise from the flange end of the opening.

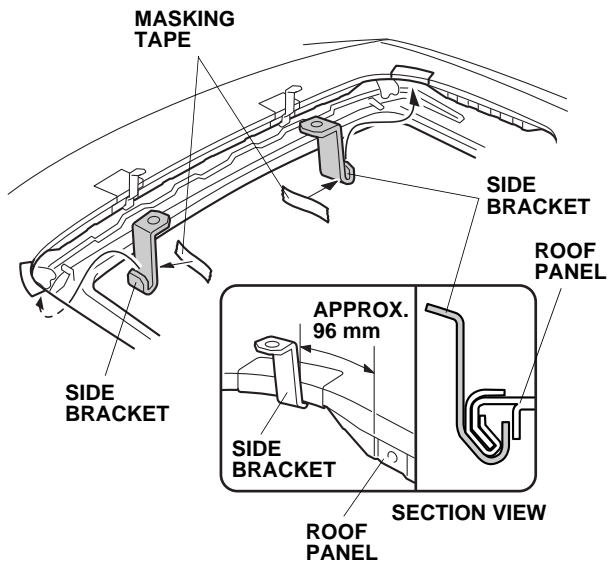


7. Using isopropyl alcohol on a shop towel, clean the roof area and the inside edge of the moonroof opening. Starting at the mark you made, clean about 2 inches toward the front of the opening but don't wipe off the mark.
8. Remove the adhesive backing from one protective tape. Align the edge of the tape with the mark you made in step 6. Wrap the bottom 10 mm of the tape around the bottom lip of the moonroof opening as shown. Then wrap the tape around to the top of the roof panel.
9. Repeat steps 6 thru 8 to install the protective tape on the left side of the moonroof opening. Remove the marks you made using isopropyl alcohol on a shop towel.

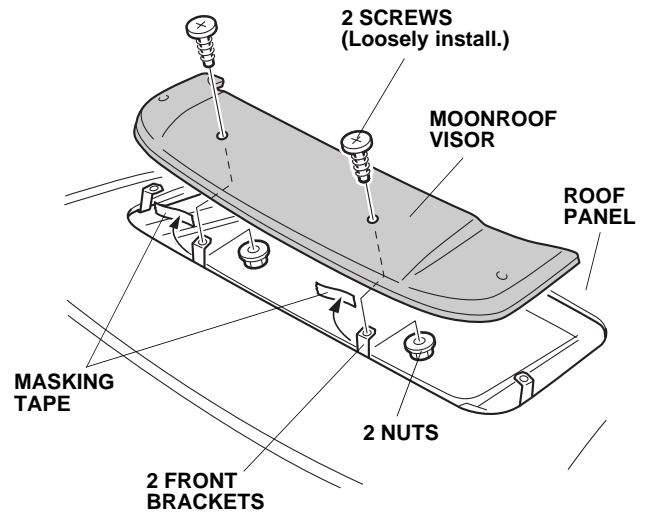
10. Place the two front brackets into position as shown, and tape them in place with pieces of masking tape.



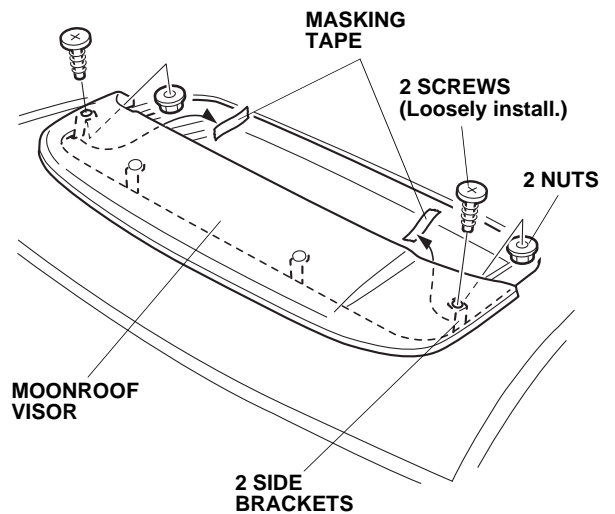
11. Place the two side brackets into position as shown, and tape them in place with pieces of masking tape.



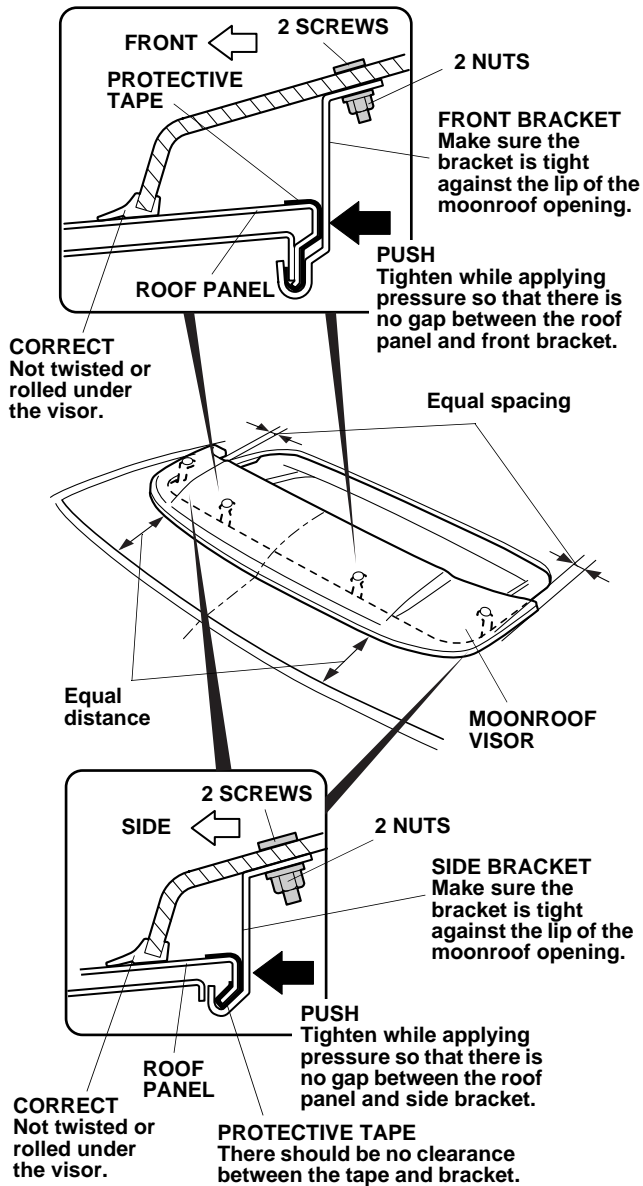
12. Set the moonroof visor on the roof panel and adjust its position so the holes in the visor are aligned with the front bracket holes. Install the two screws and two nuts loosely onto the front brackets, and then remove the masking tape.



13. Align the side bracket holes with the moonroof visor holes. Install two screws and two nuts loosely onto the side brackets, and then remove the masking tape.



- Position the moonroof visor with equal spacing on all sides. Check that the rubber seal is not twisted or rolled under the visor.



- Tighten the two screws and two nuts on the front brackets first, then tighten the two screws and two nuts on the side brackets. Tighten while applying pressure so that there is no gap between the roof panel and the front/side bracket. Front/Side brackets tightening torque: 2 N·m (1.5 lbf·ft).

## CARE OF THE MOONROOF VISOR

- To avoid damaging the surface, never use ammonia-based cleaners or solvents to clean the moonroof visor.
- Clean with a solution of mild dishwashing soap and water using a soft cloth or chamois.
- To remove fine scratches and restore the original luster, use Maguire's Mirror Glaze plastic cleaner and polish or an equivalent high-quality plastic cleaner.