



INSTALLATION INSTRUCTIONS

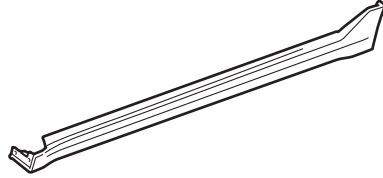
Accessory
SIDE UNDER SPOILERS

Application
2011 TL

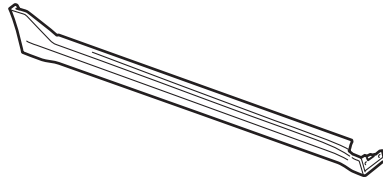
Publications No.
BII 44601
Issue Date
AUG 2010

PARTS LIST

Left side under spoiler



Right side under spoiler



22 Seals



2 Plain washers



TOOLS AND SUPPLIES REQUIRED

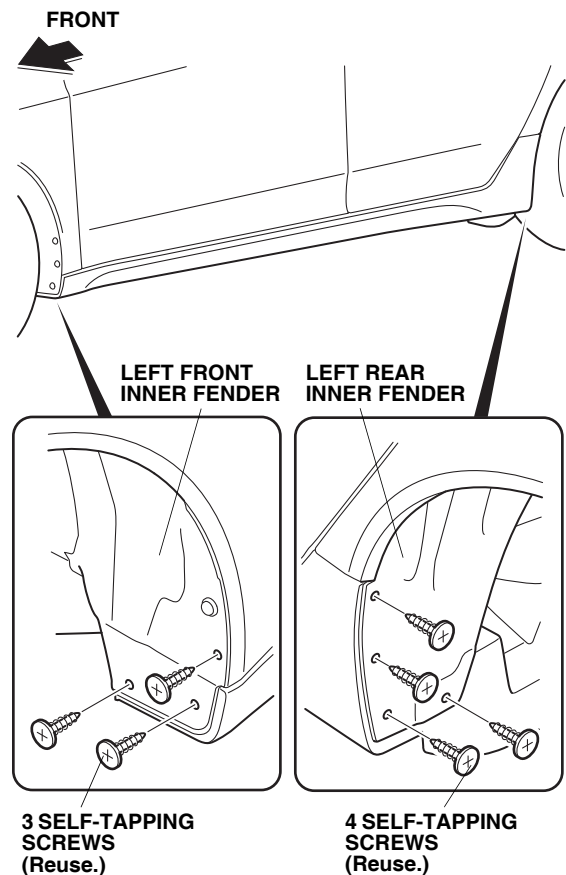
Phillips screwdriver
90° Phillips screwdriver
Clip remover
Needle nose pliers
Masking tape
Utility knife

INSTALLATION

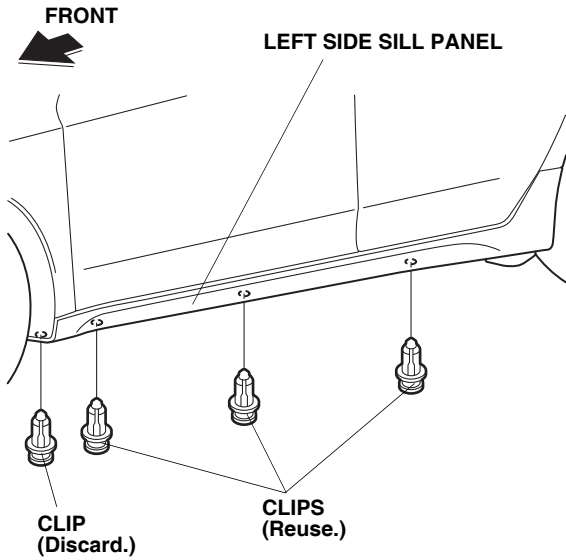
Customer Information: The information in this installation instruction is intended for use only by skilled technicians who have the proper tools, equipment, and training to correctly and safely add equipment to your vehicle. These procedures should not be attempted by "do-it-yourselfers."

NOTE:

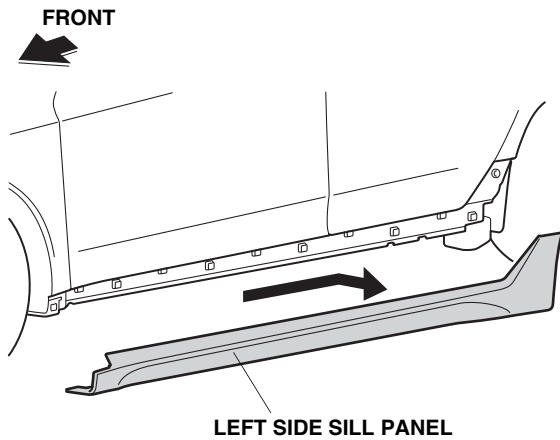
- Be careful not to damage the body paint finish.
 - These installation instructions show the left side under spoiler being installed. The same procedure applies to installing the right side under spoiler.
1. Remove the seven self-tapping screws from the left front and rear inner fenders.



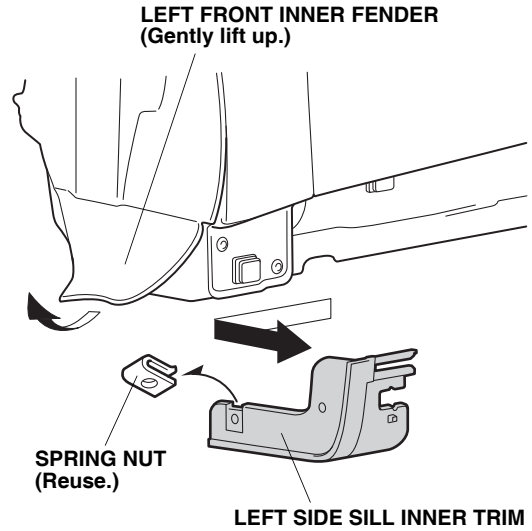
2. Under of the left side sill panel, remove the four clips.



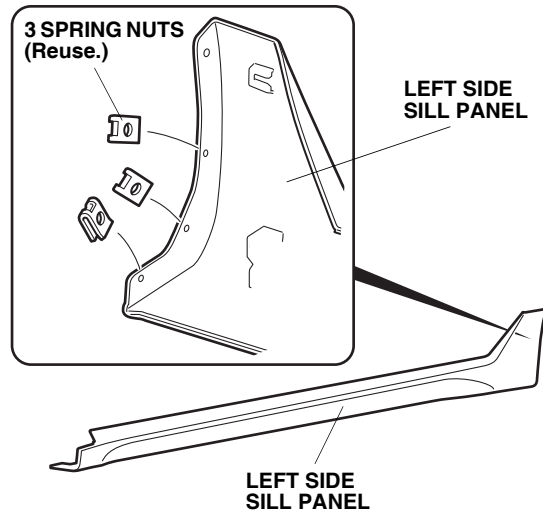
3. Slide the left side sill panel rearward to release the clips, and pull it out to remove the panel.



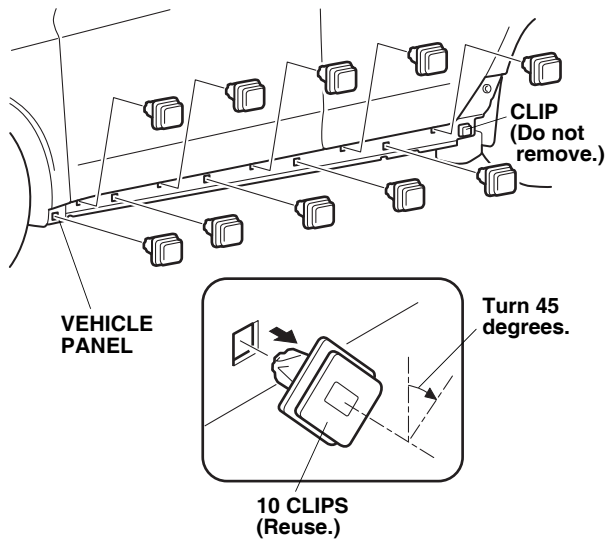
4. Gently lift up the left front inner fender, then slide the left side sill inner trim forward, and pull it toward you to remove it.



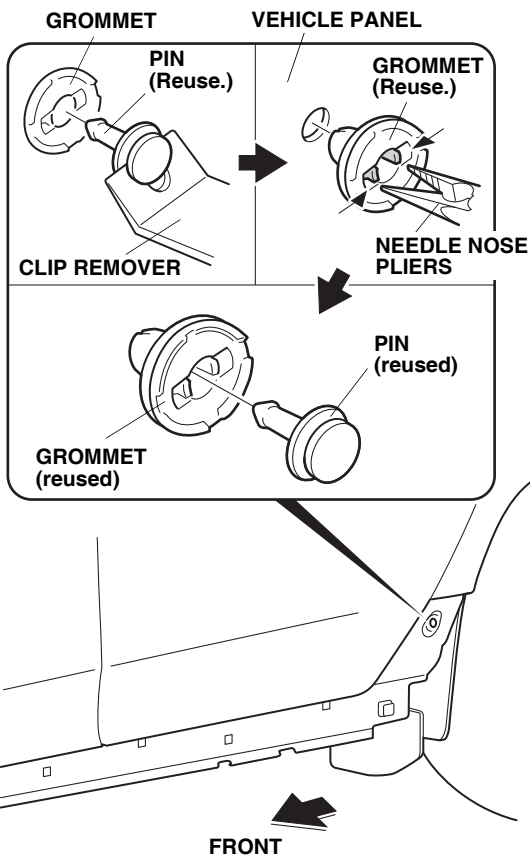
5. Remove the spring nut from the left side sill inner trim.
6. Remove the three spring nuts from the rear of the left side sill panel.



- Remove the ten clips from the vehicle panel. Turn the clips 45 degrees to remove them.

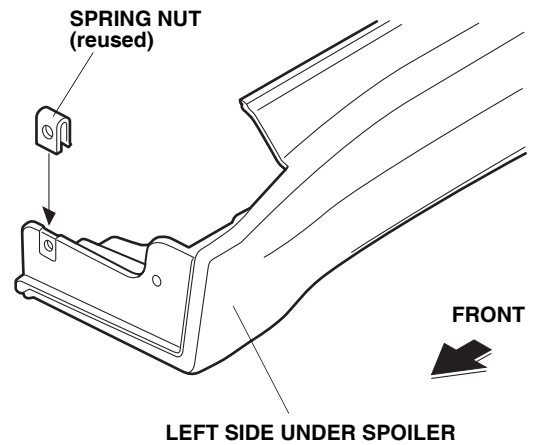


- Using the clip remover, remove the pin from the grommet.

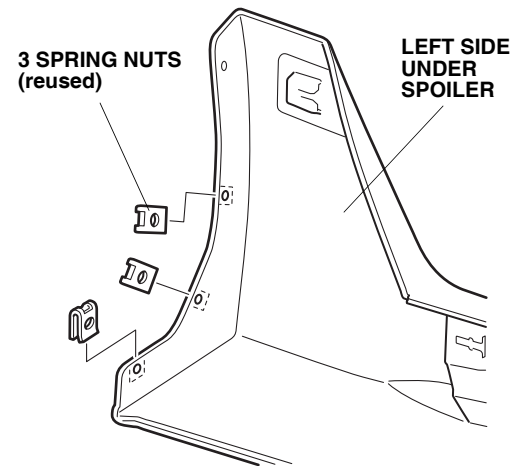


- Using a needle nose pliers, remove the round grommet from the vehicle panel. Reassemble the pin and grommet to be used later.

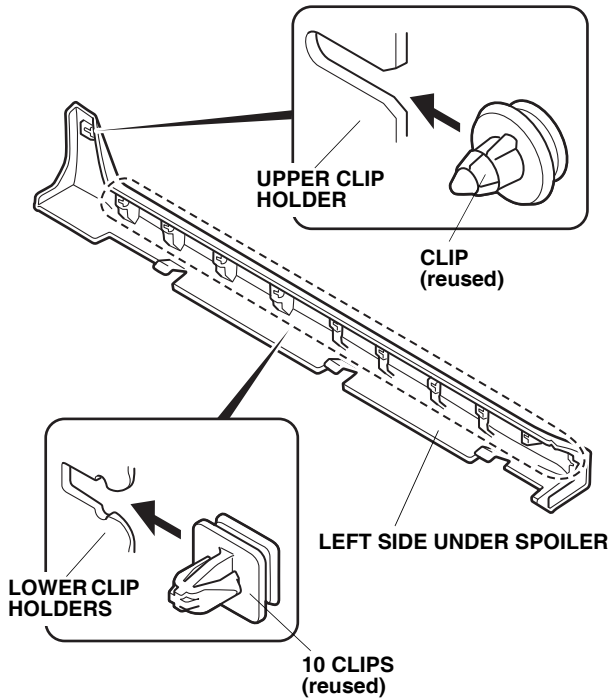
- Install one spring nut removed in step 5 on the front of the left side under spoiler.



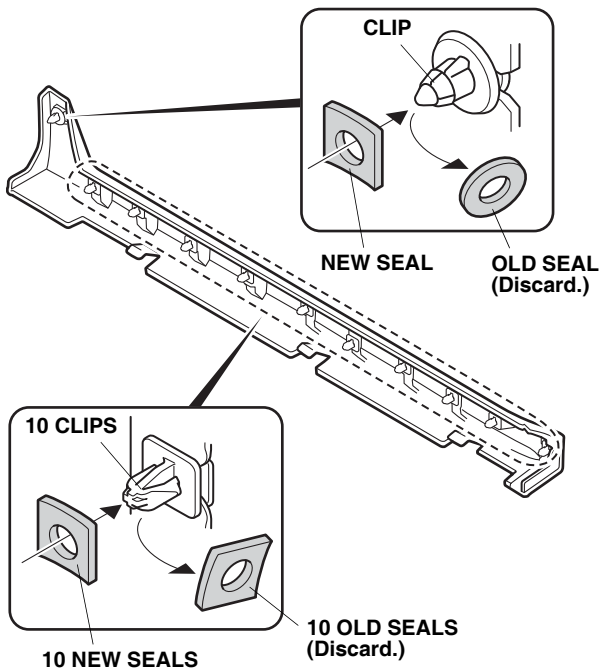
- Install three spring nuts removed in step 6 on the rear of the left side under spoiler.



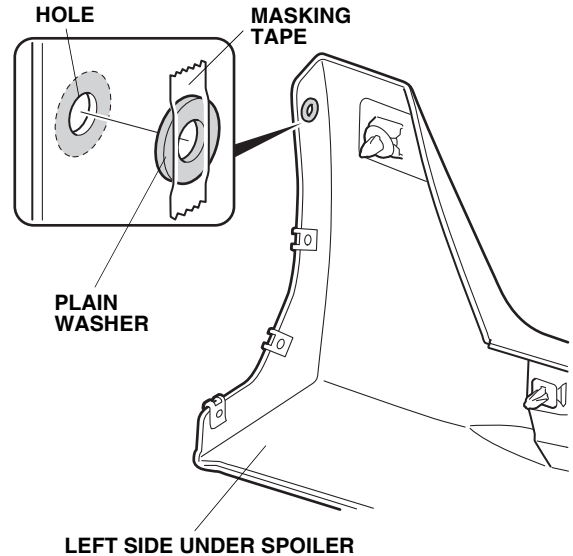
12. Install the ten clips removed in step 7 to the lower clip holders on the left side under spoiler.



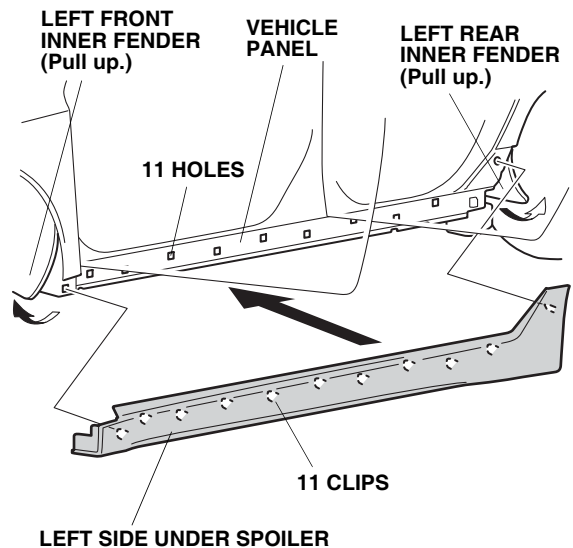
13. Install the clip removed in steps 8 and 9 to the rear upper clip holder.
14. Replace the old seals on each of the eleven clips with the new seals from the kit.



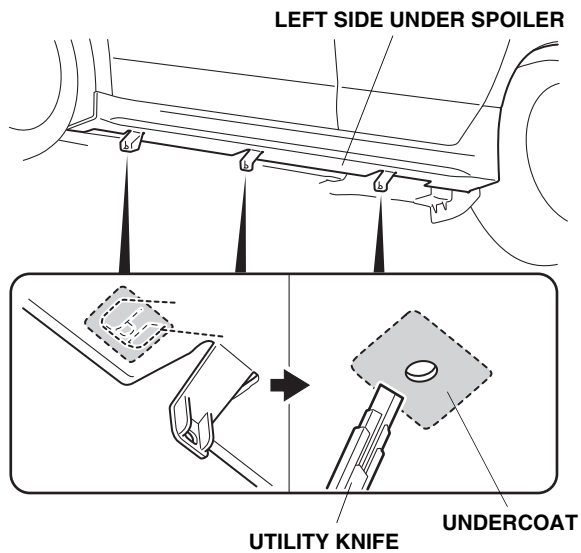
15. Use masking tape to tape a plain washer to the rear upper hole in the left side under spoiler. This washer is used to properly space the left side under spoiler on the fenderwell.



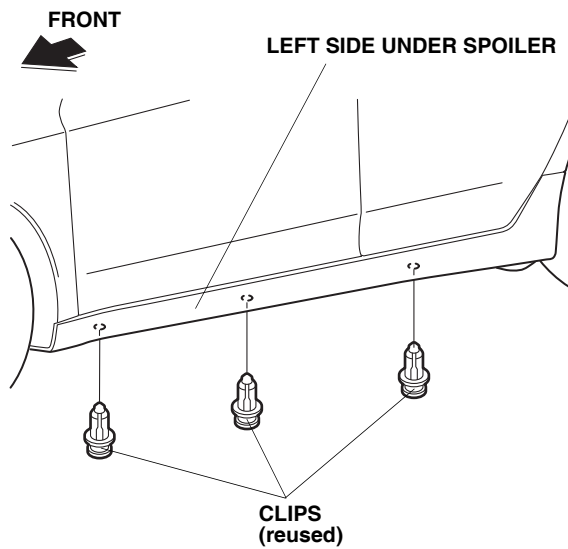
16. Open the front and rear doors. Align the eleven clips on the left side under spoiler with the eleven holes in the vehicle panel, and install the left side under spoiler by pushing it firmly against the vehicle.
- Pull up the left front and rear inner fenders so they are not trapped under the spoiler.
 - Push against the left side under spoiler firmly until each clip clicks into position.



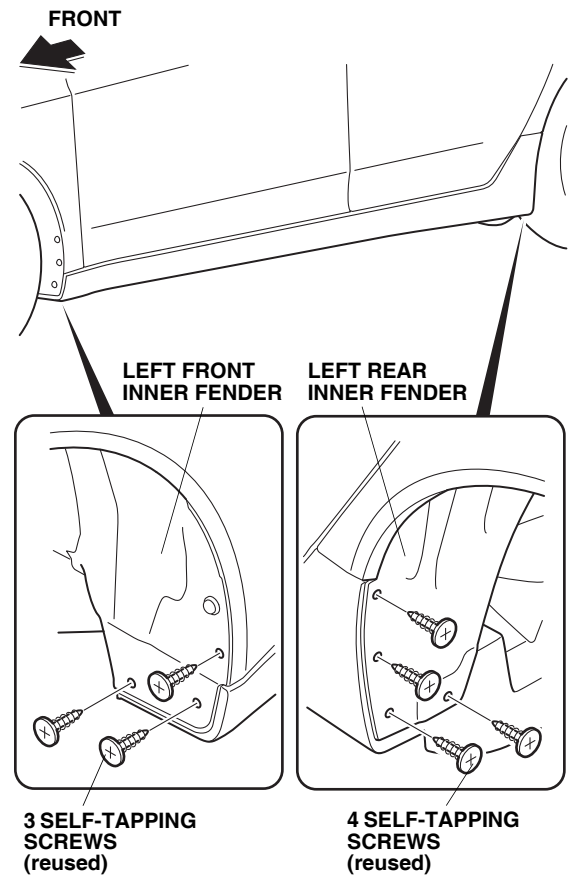
- If needed, use a utility knife to remove the undercoat from the vehicle panel where the left side under spoiler will be installed. Apply touch-up paint where you remove the undercoat. Let the touch-up paint dry thoroughly after application.



- Under the vehicle, install the three clips into the left side under spoiler.



- Reinstall the seven self-tapping screws to secure the left front and rear inner fenders.



- Repeat steps 1 thru 19 to install the right under spoiler to the right side of the vehicle.