



# INSTALLATION INSTRUCTIONS

Accessory  
**SOFT CARGO ORGANIZER**  
P/N 08U20-STK-200

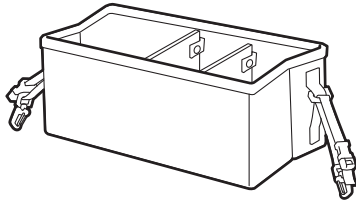
Application  
**2010 TSX**

Publications No.  
**BII 41549**  
Issue Date  
**MAY 2009**

Put this information in the glove box with the vehicle owner's manual.

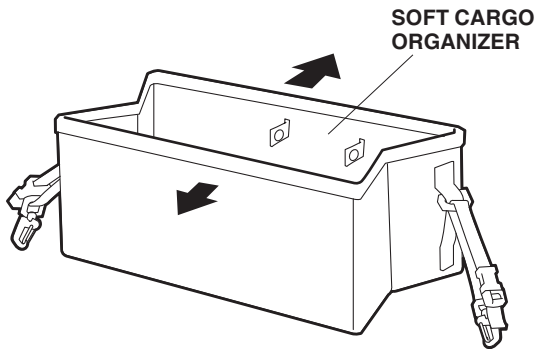
## PARTS LIST

Soft cargo organizer

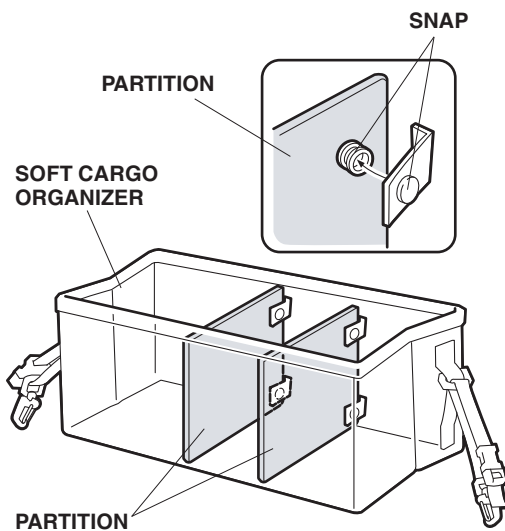


## INSTALLATION

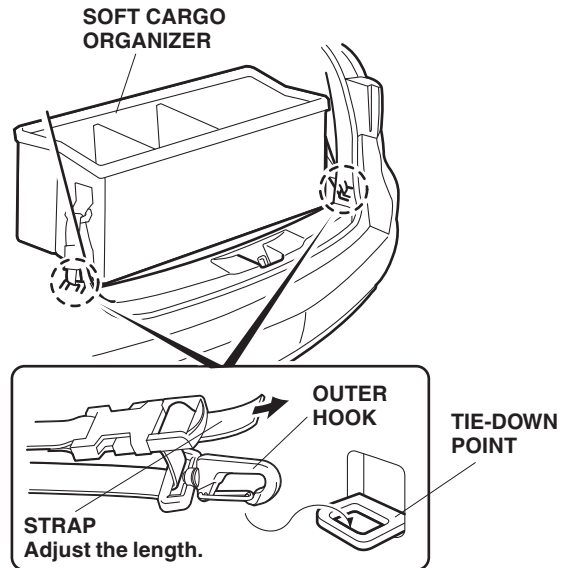
1. Open the soft cargo organizer.



2. Clean and wax the areas to be covered with a high-quality paste wax.



3. Place the organizer in the cargo area of the vehicle, and attach the outer hooks of the organizer to the tie-down points.



4. Adjust the length of the strap as needed to secure the organizer to the tie-down points.

**NOTE:** Before storing articles that have sharp edges or corners, wrap them in paper or a blanket so the sharp edges or corners do not contact the soft cargo organizer.