



INSTALLATION INSTRUCTIONS

Accessory

FRONT GRILLE
P/N 08F21-TK4-200

Application

2010 TL

Publications No.

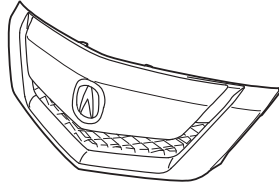
BII 42385

Issue Date

JAN 2010

PARTS LIST

Front grille



TOOLS AND SUPPLIES REQUIRED

Phillips screwdriver

Flat-tip screwdriver

Ratchet

10 mm Socket

Plastic Trim Tool (T/N SILTRIMTL10)

Blanket

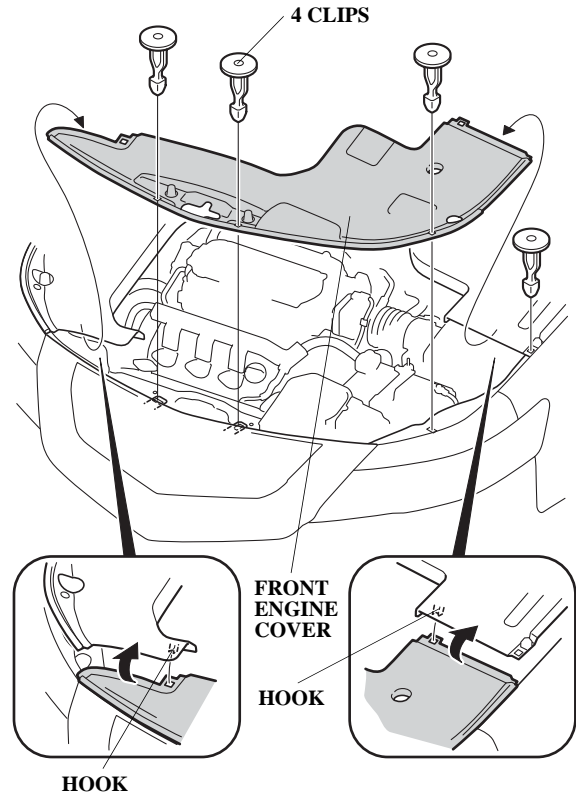
INSTALLATION

Client Information: The information in this installation instruction is intended for use only by skilled technicians who have the proper tools, equipment, and training to correctly and safely add equipment to your vehicle. These procedures should not be attempted by “do-it-yourselfers.”

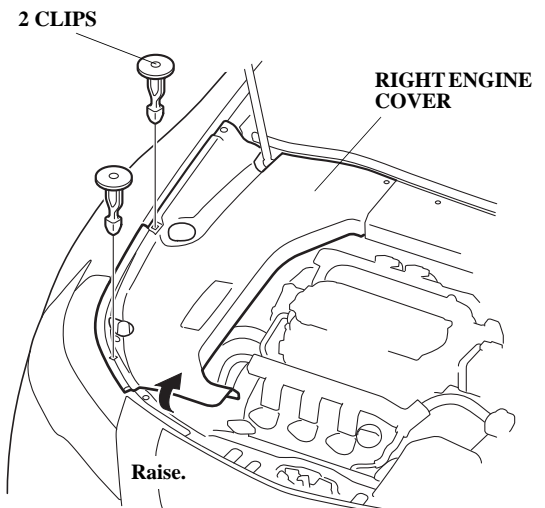
NOTE: Be careful not to damage the front bumper and body paint finish.

1. Make sure you have the anti-theft codes for the audio and navigation system (if equipped), then write down the audio presets.

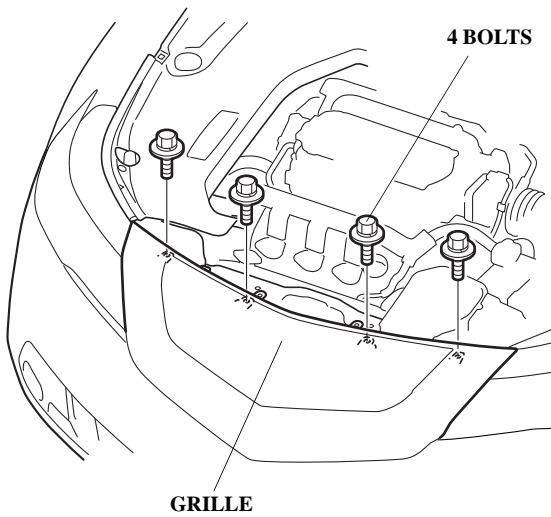
2. Open the hood, and remove the front engine cover (four clips and two hooks).



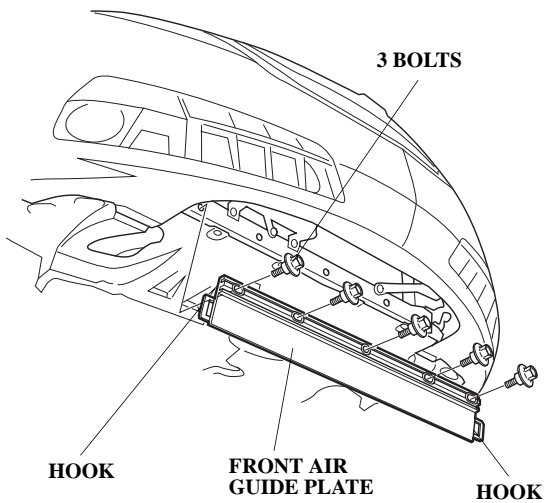
3. Disconnect the negative cable from the battery.
4. Remove the two clips, and raise the right engine cover.



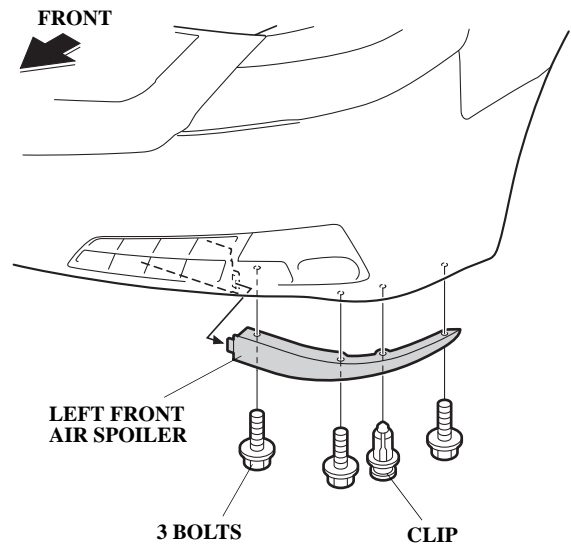
5. Remove the four grille bolts.



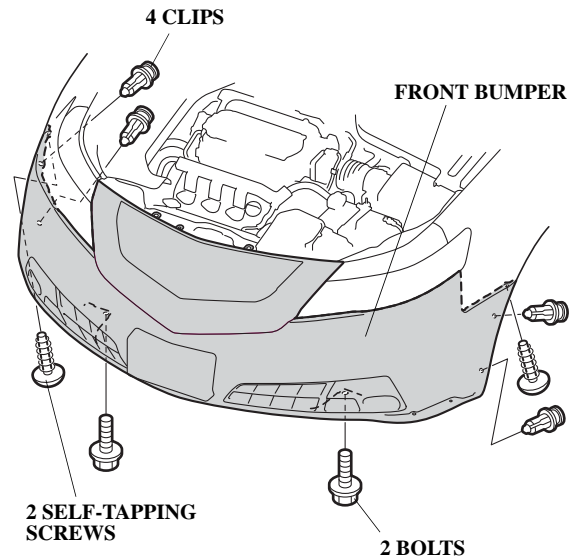
6. Remove the front air guide plate (five bolts and two hooks).



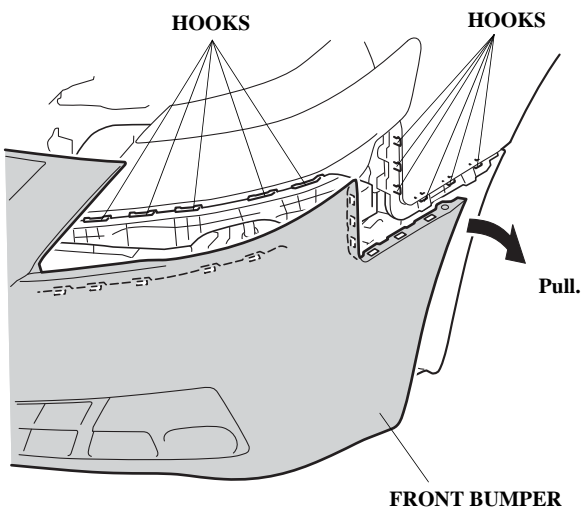
7. Remove the left front air spoiler (three bolts and one clip).



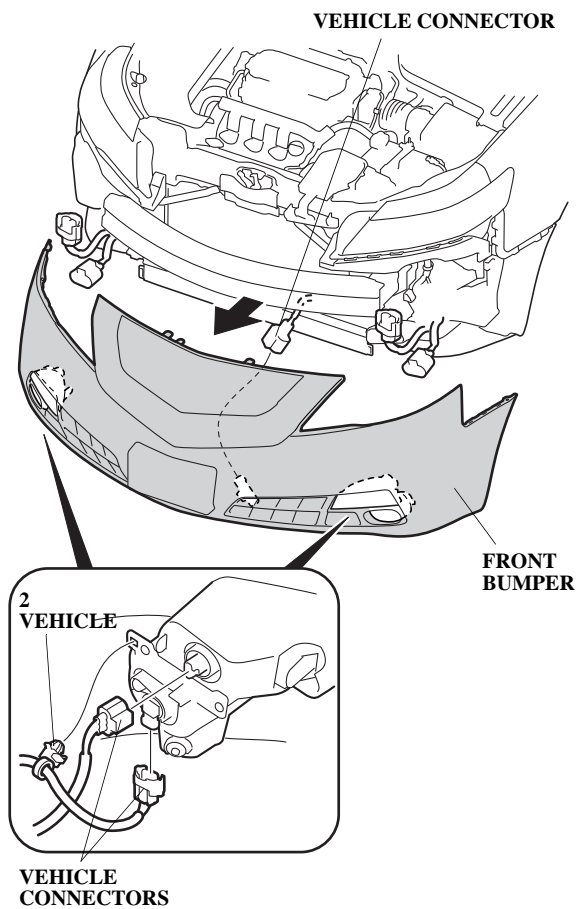
8. Remove the right front air spoiler the same way.
9. Remove the two self-tapping screws, four clips, and two bolts from the front bumper.



- On each side, release the 11 hooks, and pull the front bumper out from the body.

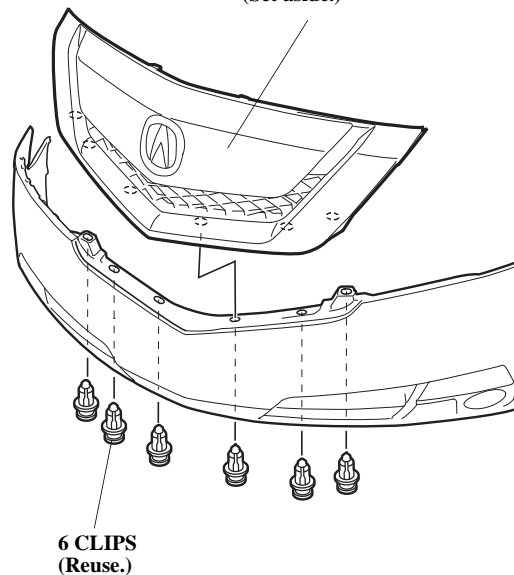


- With the help of an assistant, remove the front bumper (two vehicle clips and unplug the five vehicle connectors). Place the front bumper on the blanket to prevent damage.



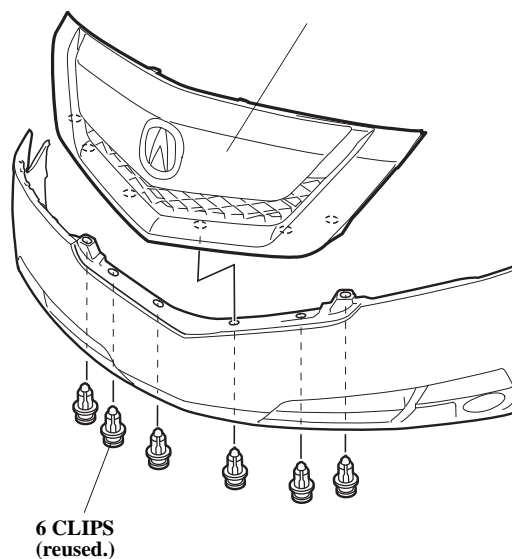
- Release the six clips and remove the front grille. Set the front grille aside, it will not be reused.

**FRONT GRILLE
(Set aside.)**



- Install the new front grille to the bumper using the six clips removed in step 12.

NEW FRONT GRILLE



- With the help of an assistant, reinstall the front bumper.
- Reinstall all removed parts.
- Reconnect the negative cable to the battery.
- Enter the anti-theft codes for the audio system and the navigation system (if equipped).
- Reset the clock on vehicles without navigation.