



# INSTALLATION INSTRUCTIONS

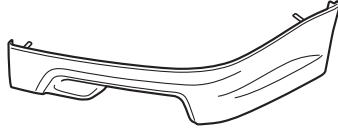
Accessory  
**REAR UNDER SPOILERS**

Application  
**2010 TL**

Publications No.  
**BII 42533**  
Issue Date  
**AUG 2009**

## PARTS LIST

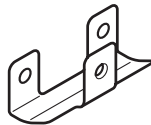
Right rear under spoiler



Left rear under spoiler



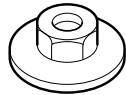
2 Brackets



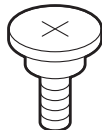
4 Fender bolts



6 Washer nuts



2 Bumper bolts



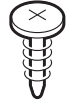
4 Clips (female)



2 Spring nuts



4 Self-tapping screws



4 Seals



## TOOLS AND SUPPLIES REQUIRED

Phillips screwdriver

Flat-tip screwdriver

Ratchet

10 mm Socket

Pushpin

Drill

3 mm and 10 mm Drill bits

File

Air saw: Snap on AT192A

Masking tape

Diagonal cutters

Eye protection (face shield, safety goggles, etc.)

Isopropyl alcohol

Shop towel

Plastic Trim Tool (T/N SILTRIMTL10)

Blanket

## INSTALLATION

**Client Information:** The information in this installation instruction is intended for use only by skilled technicians who have the proper tools, equipment, and training to correctly and safely add equipment to your vehicle. These procedures should not be attempted by “do-it-yourselfers.”

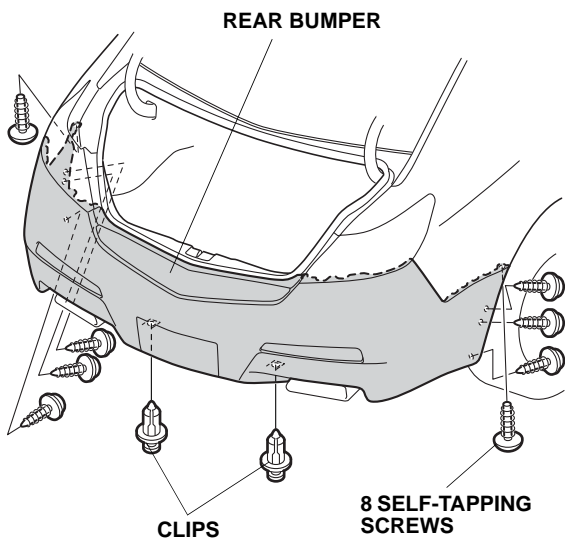
### NOTE:

- Be careful not to damage the rear bumper and body paint finish.
- Using isopropyl alcohol, thoroughly clean where the rear under spoiler will attach. Allow the cleaner to dry thoroughly before proceeding to the next step.
- The rear under spoiler should be installed only when the ambient air temperature is 15°C (60°F) or above.
- To allow the adhesive to cure, do not wash the vehicle for 24 hours.

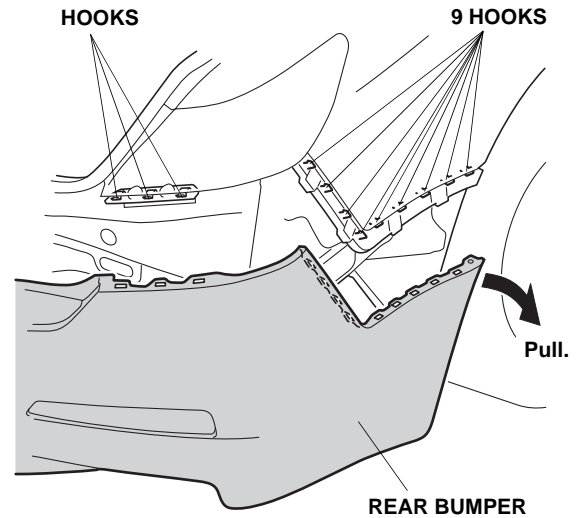
#### 1. Remove the rear bumper:

- Open the trunk lid, and remove the eight self-tapping screws and two clips from the rear bumper.

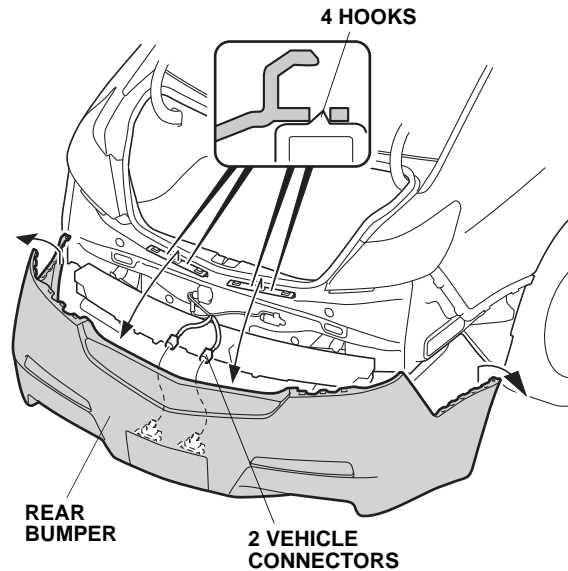
NOTE: If equipped, remove the rear splash guards.



- On each side, release the twelve hooks, and gently pull the rear bumper away from the body.

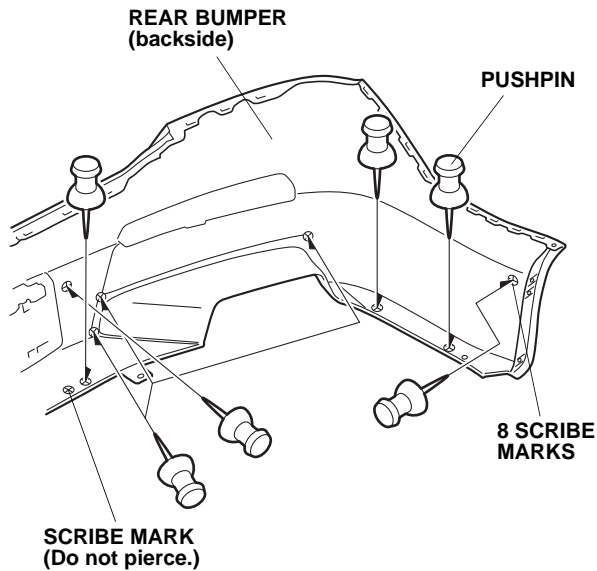


- With the help of an assistant, remove the rear bumper (four hooks, and unplug the two vehicle connectors). Place the rear bumper on a blanket to prevent damage.

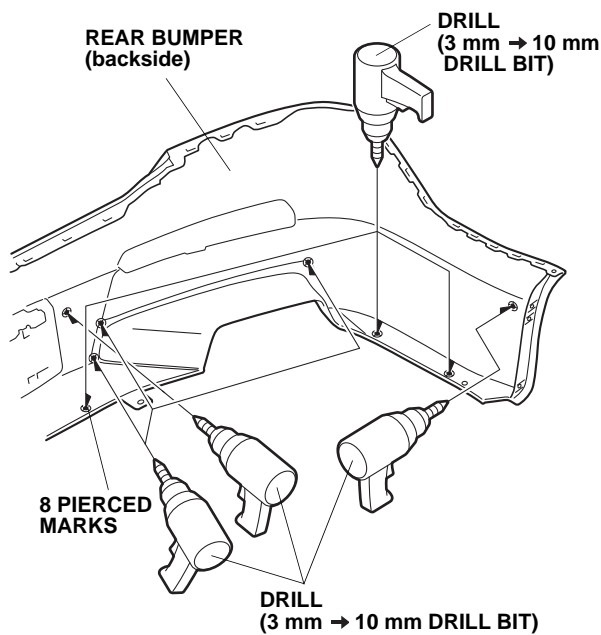


## Installing the Rear Under Spoiler

- Using a pushpin, pierce the center of the eight scribe marks on the rear bumper.

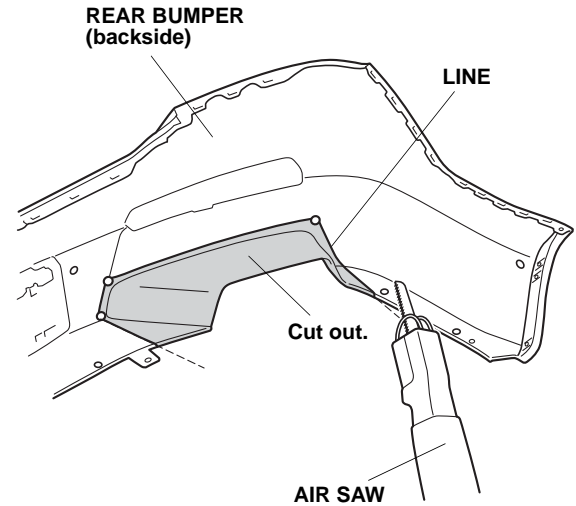


- While wearing eye protection, drill the eight pierced marks using a 3 mm drill bit, then finish with a 10 mm bit.

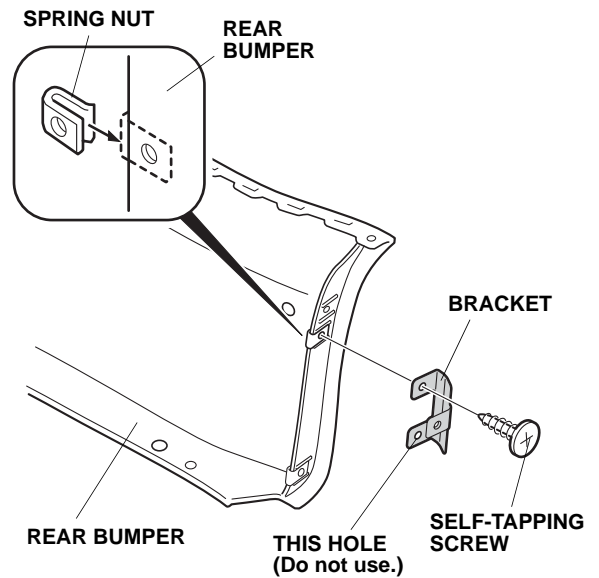


- Using a file, remove any burrs from the holes.

- Using an air saw, cut the rear bumper along the line.

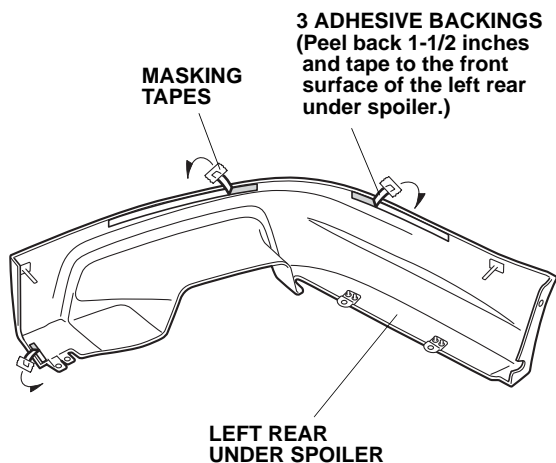


- Using a file, remove any burrs from the edge.
- Remove and discard the original spring nut. Install one spring nut on the rear bumper.

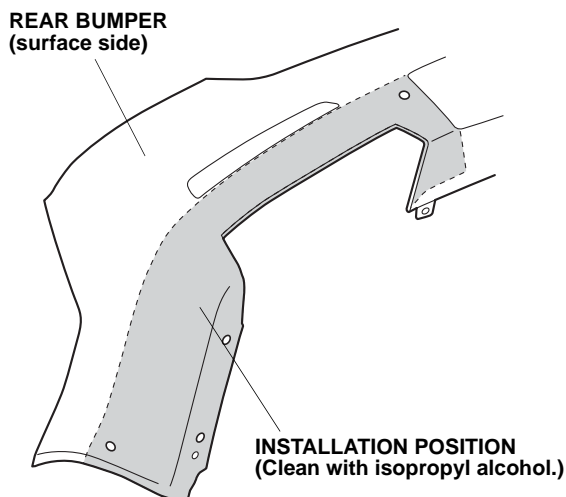


- Attach the bracket to the rear bumper using one self-tapping screw.

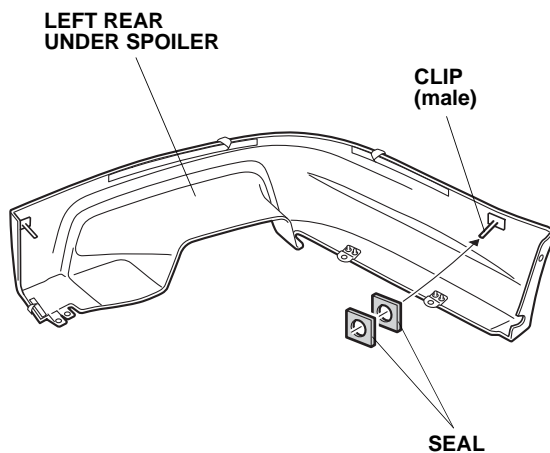
9. Peel back approximately 1-1/2 inches of adhesive backing from each adhesive tape, and tape the ends to the front surface of the left rear under spoiler.



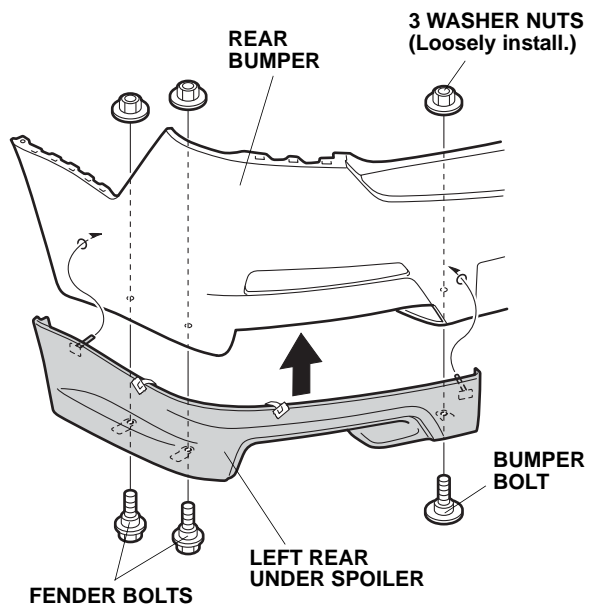
10. Using isopropyl alcohol on a shop towel, clean the surface where the left rear under spoiler will attach.



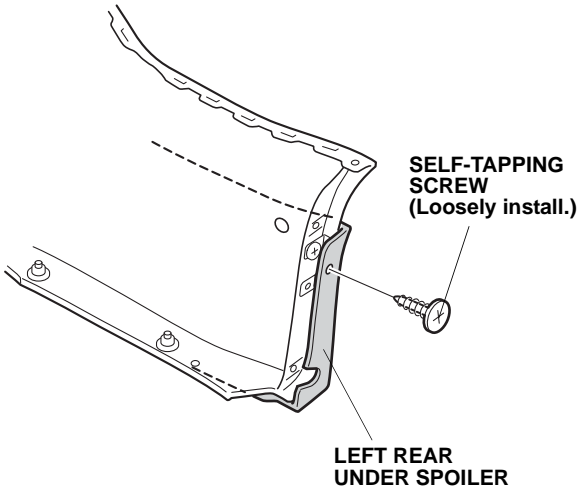
11. Install two seals over the clip (male) of the left rear under spoiler as shown.



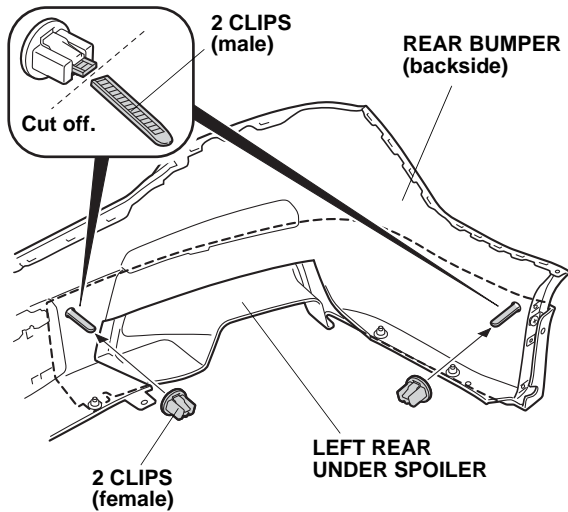
12. Install the left rear under spoiler on the rear bumper using two fender bolts and one bumper bolt, and loosely install the three washer nuts.



13. Loosely install the one self-tapping screw to the left rear under spoiler.

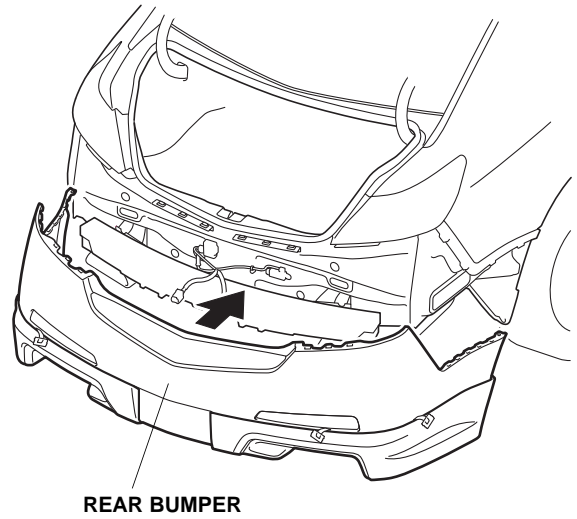


14. Secure the left rear under spoiler to the rear bumper using two clips. Using a diagonal cutters, cut the excess off of each clip (male).

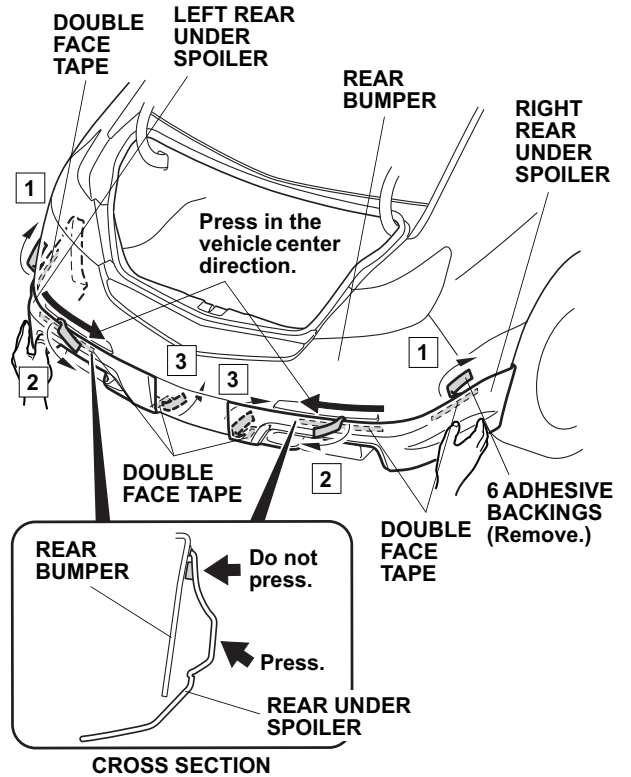


15. Repeat steps 2 thru 14 to install the right rear under spoiler.

16. Reinstall the rear bumper. Have an assistant help you install the rear bumper.



17. Remove the six adhesive backings in the order shown below. While pressing the rear under spoiler firmly against the rear bumper with the palm of your hand, carefully remove each adhesive backing.



18. Tighten the six washer nuts and two self-tapping screws installed in steps 12 and 13.