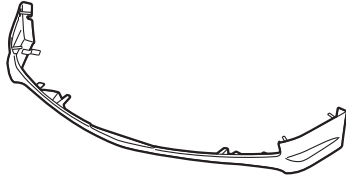
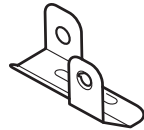


PARTS LIST

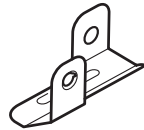
Front under spoiler



Right bracket



Left bracket



4 Self-tapping screws



4 Clips (female)



6 Seals



2 Bumper bolts



2 Flange nuts



2 Spring nuts



TOOLS AND SUPPLIES REQUIRED

Phillips screwdriver

Flat-tip screwdriver

Ratchet

10 mm Socket

Pushpin

Drill

3 mm and 10 mm Drill bits

Scale

File

Masking tape

Utility knife

Diagonal cutters

Eye protection (face shield, safety goggles, etc.)

Isopropyl alcohol

Shop towel

Plastic Trim Tool (T/N SILTRIMTL10)

Blanket

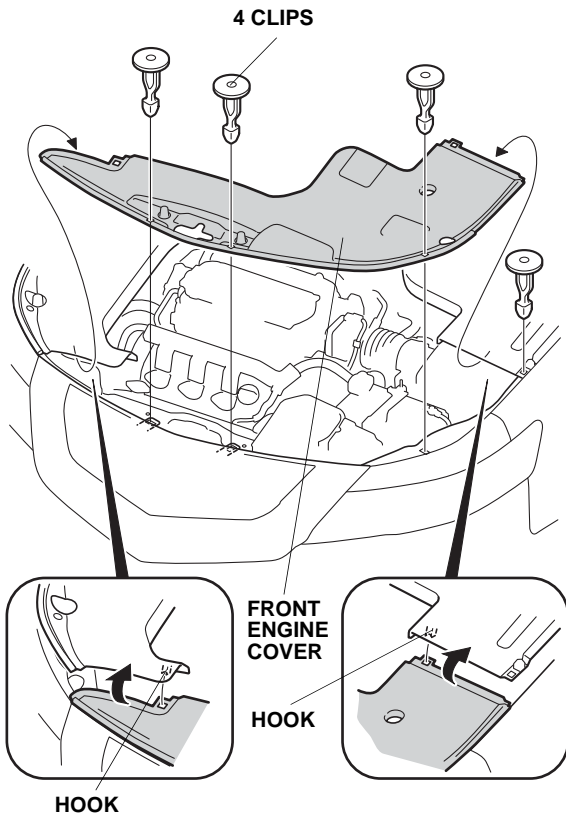
Hard rubber roller

INSTALLATION

Client Information: The information in this installation instruction is intended for use only by skilled technicians who have the proper tools, equipment, and training to correctly and safely add equipment to your vehicle. These procedures should not be attempted by “do-it-yourselfers.”

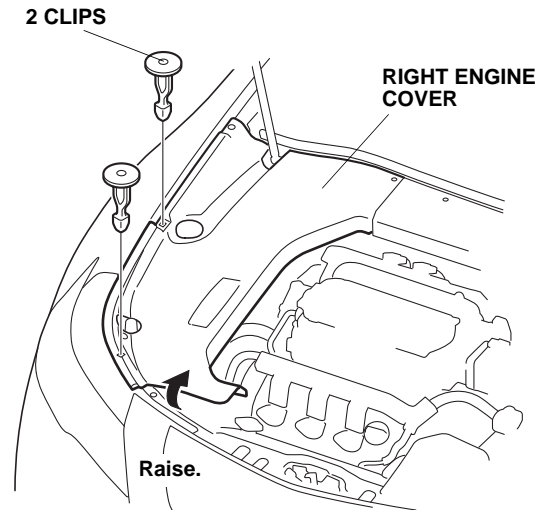
NOTE:

- Be careful not to damage the front bumper and body paint finish.
 - The front under spoiler should be installed only when the ambient air temperature is 15°C (60°F) or above.
 - To allow the adhesive to cure, do not wash the vehicle for 24 hours.
1. Make sure you have the anti-theft codes for the audio and navigation system (if equipped), then write down the audio presets.
 2. Open the hood, and remove the front engine cover (four clips and two hooks).

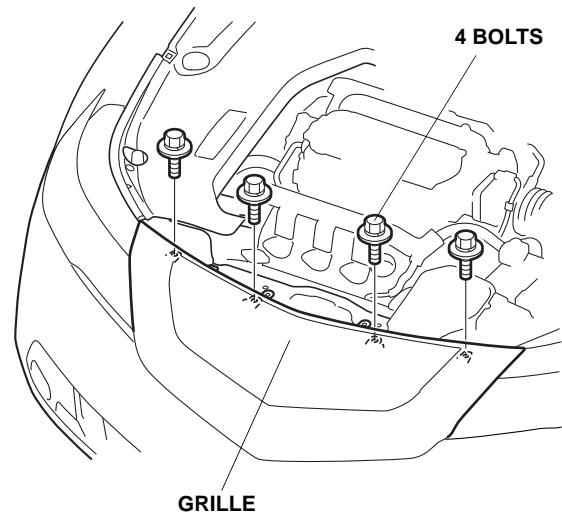


3. Disconnect the negative cable from the battery.

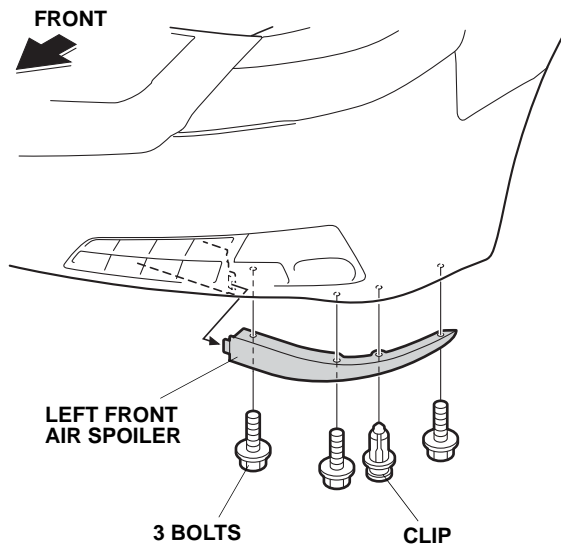
4. Remove the two clips, and raise the right engine cover.



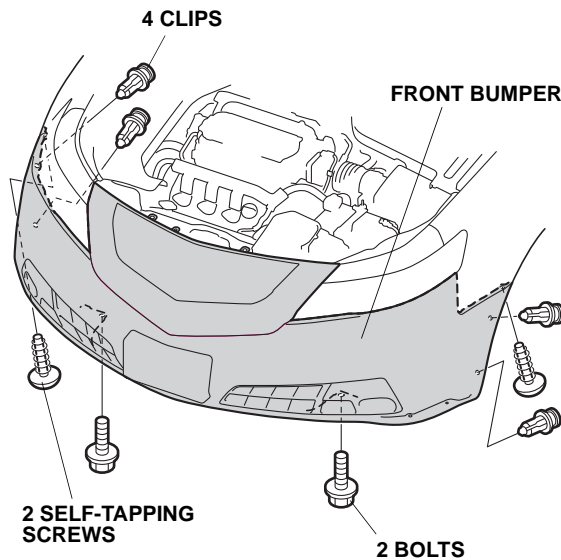
5. Remove the four bolts from the grille.



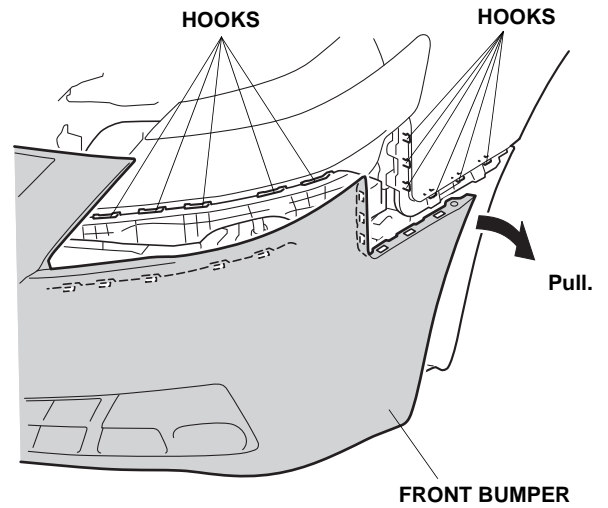
6. Remove the left front air spoiler (three bolts and one clip).



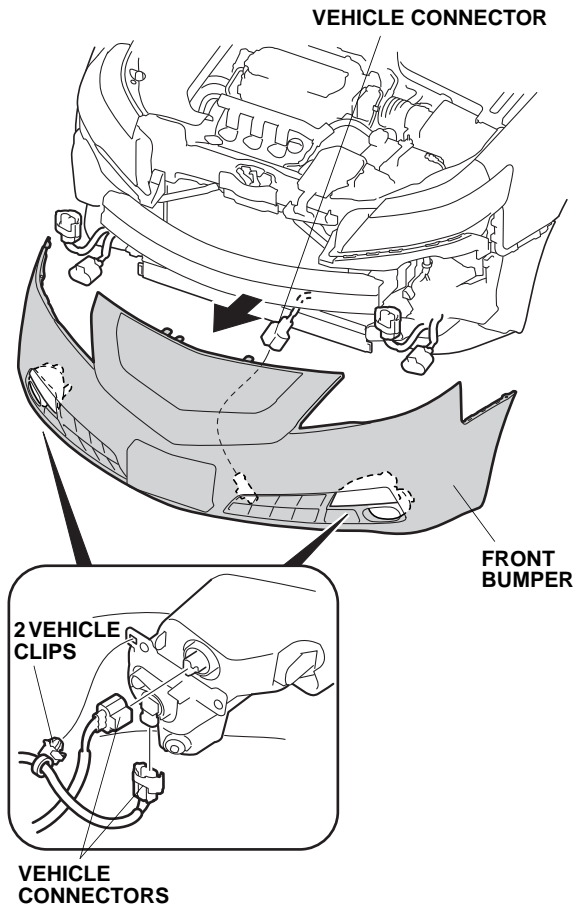
7. Remove the right front air spoiler the same way.
8. Remove the two self-tapping screws, four clips, and two bolts from the front bumper.



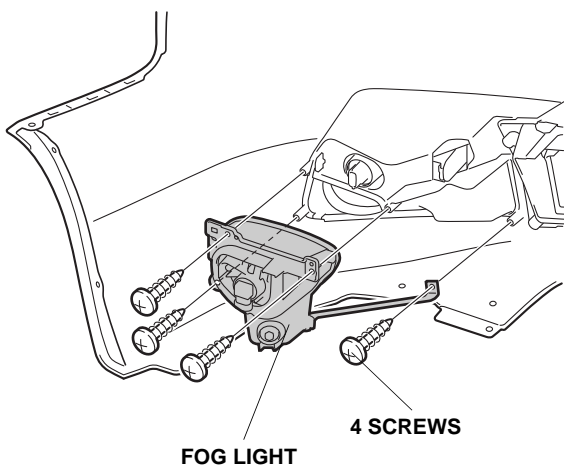
9. On each side, release the eleven hooks, and pull the front bumper out from the body.



- With the help of an assistant, remove the front bumper (two vehicle clips and unplug the five vehicle connectors). Place the front bumper on the blanket to prevent damage.

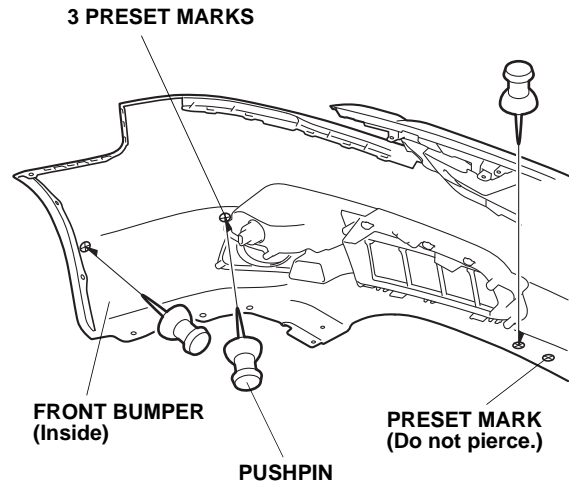


- On each side, remove the fog light (four screws).

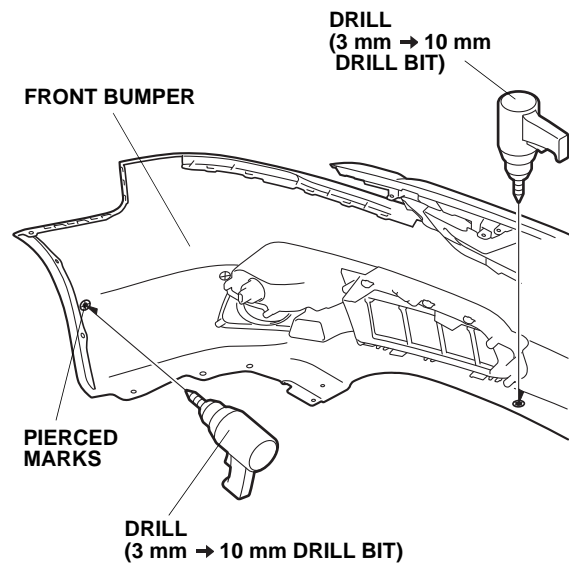


Installing the Front Under Spoiler

- On the inside of the front bumper on the left side, locate the three preset marks. Using a pushpin, pierce the center of each mark.

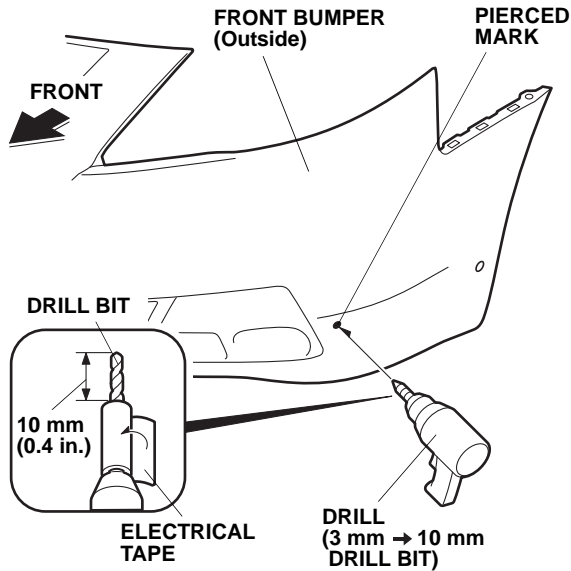


- While wearing eye protection, drill the front bumper:
 - From the inside of the bumper, drill two of the three pierced marks to 10 mm. The third pierced mark will be drilled later.
 - First drill with a 3 mm drill bit, and finish with a 10 mm drill bit.

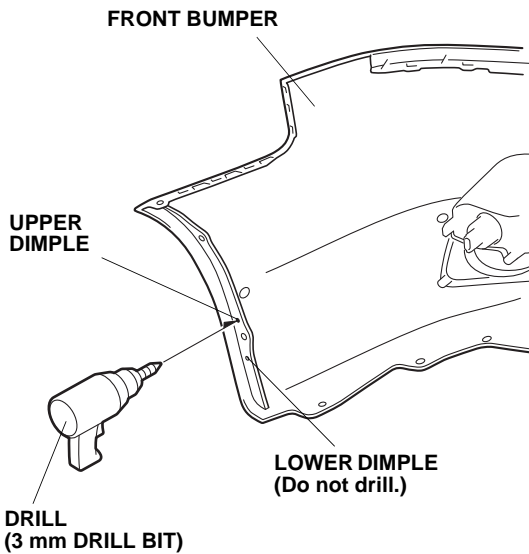


- From the outside (painted side) of the bumper, drill the remaining pierced mark to 10 mm. First drill with a 3 mm drill bit, and finish with a 10 mm drill bit.

NOTE: To prevent drilling through the front bumper, wrap electrical tape around the drill bit 10 mm (0.4 in.) away from the tip.

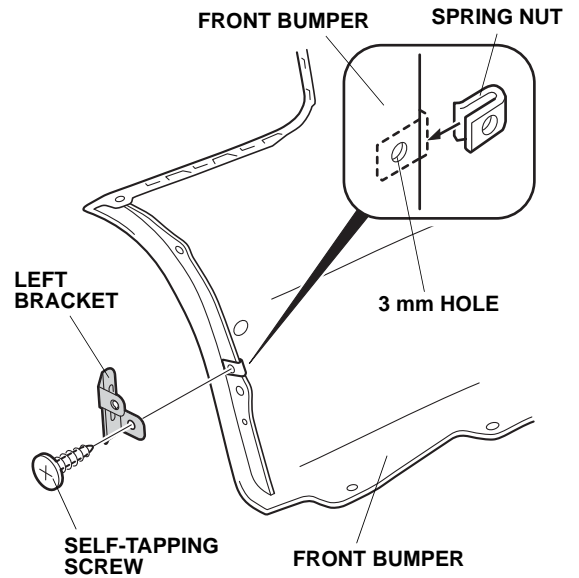


- Locate the upper dimple on the edge of the bumper.
- Drill the upper dimple to 3 mm.



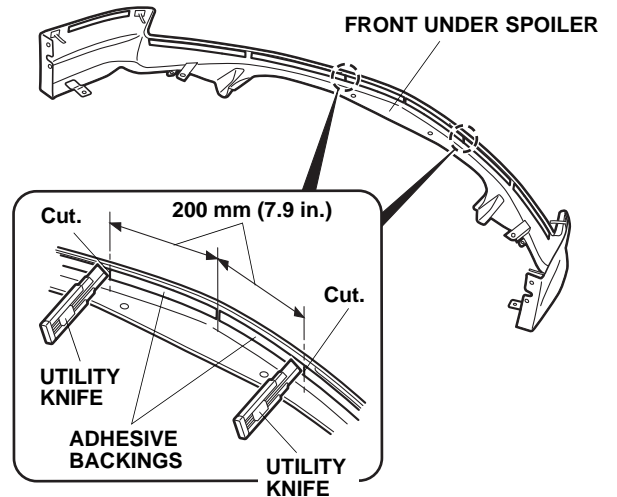
- Remove all burrs from each hole.
- Repeat the above steps to mark and drill the right side of the front bumper.

14. Install one spring nut on each side of the front bumper over the 3 mm holes drilled in step 13.

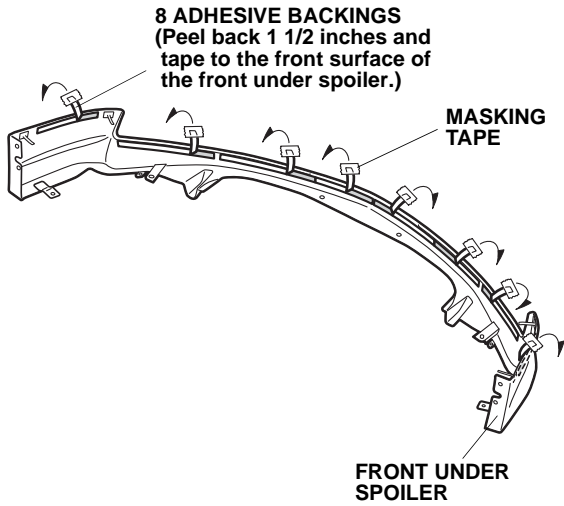


15. Attach the left bracket on the front bumper using one self-tapping screw. Install the right bracket using one self-tapping screw.

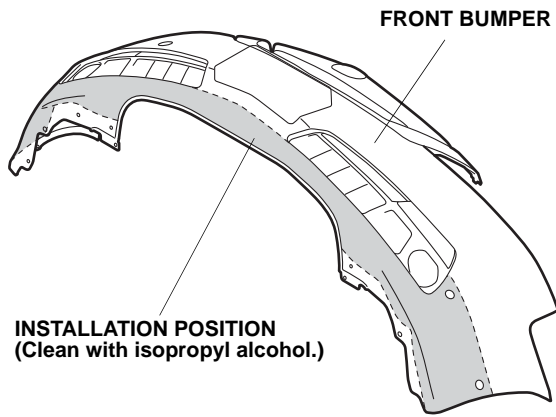
16. Using a utility knife, cut the two adhesive backings on the front under spoiler at the measurement shown.



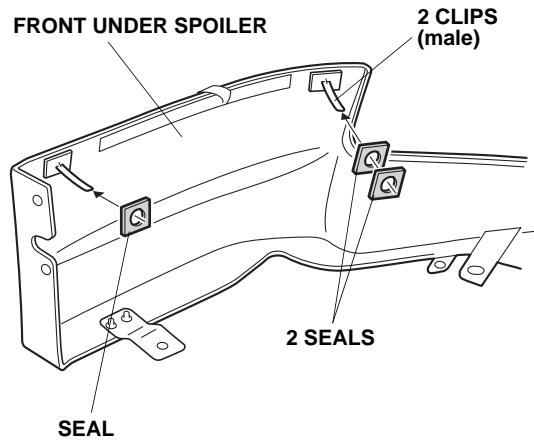
17. Peel back approximately 1-1/2 inches of adhesive backing, and tape the ends to the front surface of the front under spoiler.



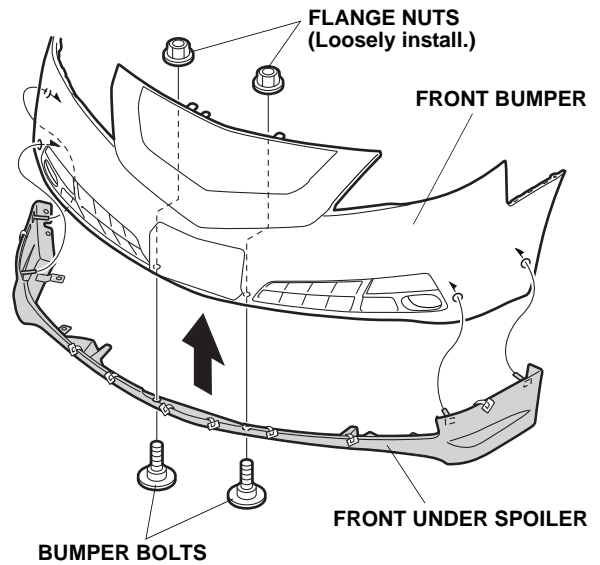
18. Using isopropyl alcohol on a shop towel, clean the bumper where the front under spoiler will attach.



19. On each side, install two seals on the inboard clip, and one seal on the outboard clip of the front under spoiler.

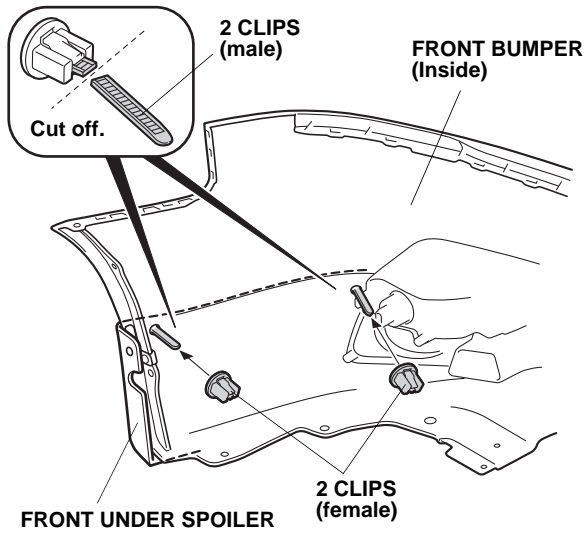


20. Install the front under spoiler on the front bumper.

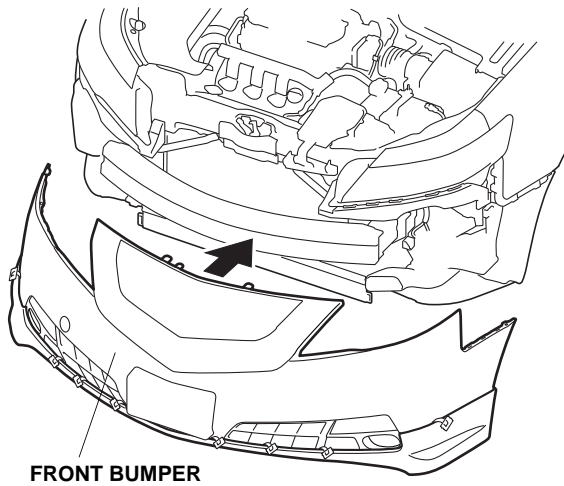


21. Install two bumper bolts on the front under spoiler, and loosely install the two flange nuts.

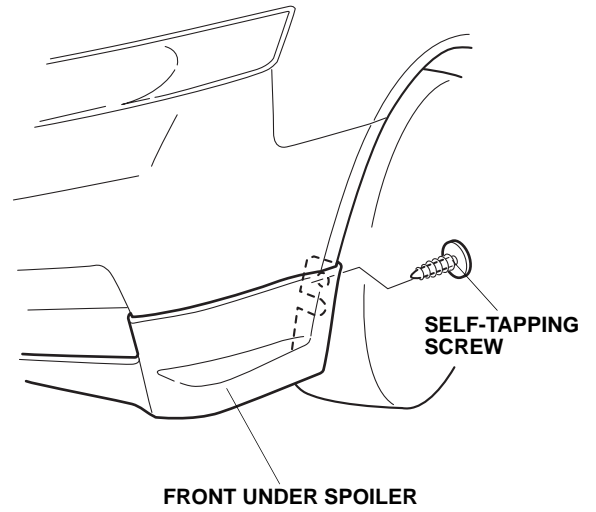
22. On each side, secure the front under spoiler to the front bumper using two clips (female).



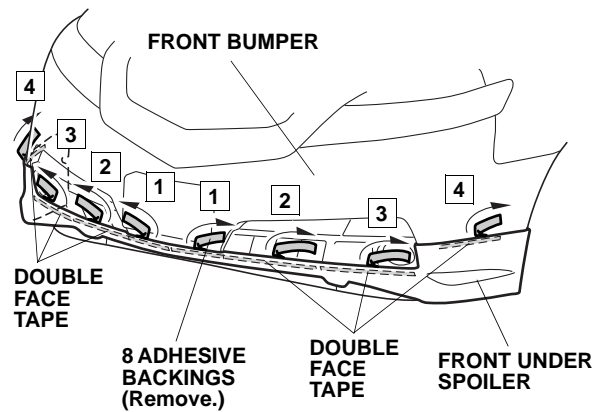
23. Using a diagonal cutters, cut off the four clips (male) of the front under spoiler as shown.
 24. Reinstall the fog lights.
 25. With the help of an assistant, reinstall the front bumper.



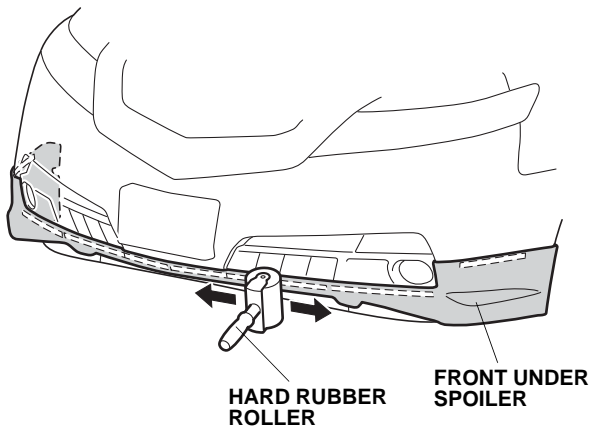
26. On each side, install the one self-tapping screw to the front under spoiler.



27. Remove the eight adhesive backings in the order shown below. Press the front under spoiler firmly against the front bumper with the palm of your hand to adhere the front under spoiler.



28. Using a hard rubber roller, apply pressure and roll it from one end to the other.



29. Secure the two flange nuts loosely installed in step 21.
30. Reinstall all removed parts.
31. Reconnect the negative cable to the battery.
32. Enter the anti-theft codes for the audio system and the navigation system (if equipped).
33. Reset the clock on vehicles without navigation.