



INSTALLATION INSTRUCTIONS

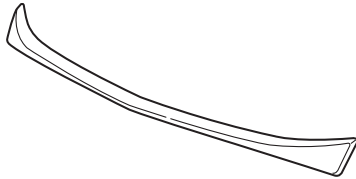
Accessory
TRUNK SPOILER

Application
2010 RL

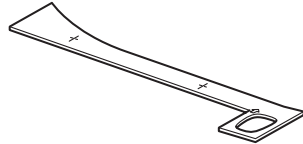
Publications No.
BII 41776
Issue Date
JUNE 2009

PARTS LIST

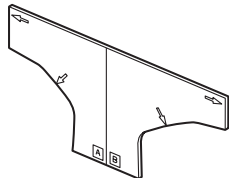
Trunk spoiler



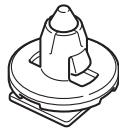
Template 1



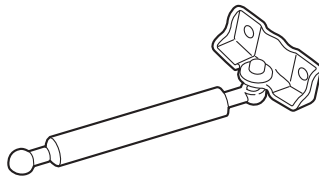
Template 2



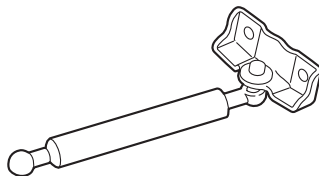
4 Clips



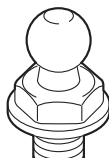
Right support strut



Left support strut



2 Stud balls



4 Rubber seals



TOOLS AND SUPPLIES REQUIRED

Eye protection (face shield, safety goggles, etc.)

Drill

3 mm, 6 mm, and 9 mm Drill bits

File

Center punch

Touch-up paint

Ratchet

10 mm Socket

Torque wrench

Masking tape

Felt-tip pen

Phillips screwdriver

Small flat-tip screwdriver

Shop towel

Isopropyl alcohol

12 mm Combination wrench

Rubber hammer

Tape measure

Plastic Trim Tool T/N SILTRIMTL10

INSTALLATION

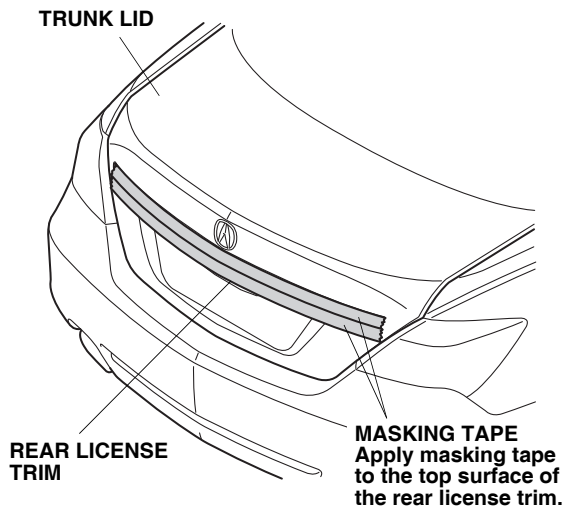
Client Information: The information in this installation instruction is intended for use only by skilled technicians who have the proper tools, equipment, and training to correctly and safely add equipment to your vehicle. These procedures should not be attempted by “do-it-yourselfers.”

NOTE:

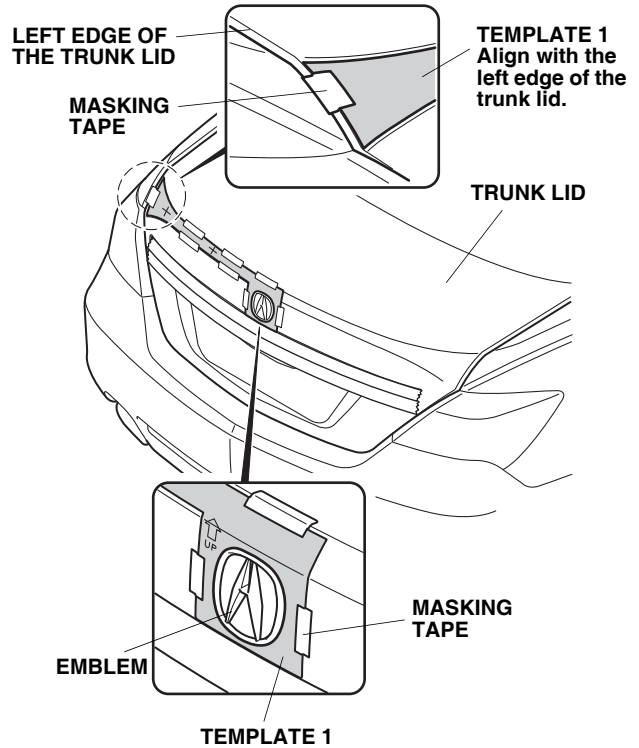
- Be careful not to damage the body paint finish.
- The trunk spoiler should be installed only if the ambient air temperature is 15°C (60°F) or above.
- To allow the adhesive to cure, do not wash the vehicle for 24 hours.

Installing the Trunk Spoiler

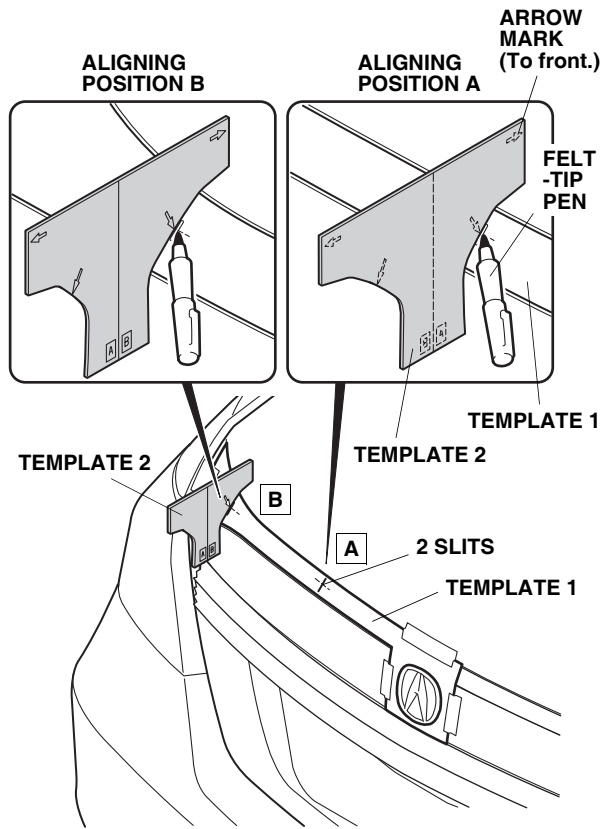
1. Apply masking tape to the top of the rear license trim as shown, to prevent metal shaving from falling inside.



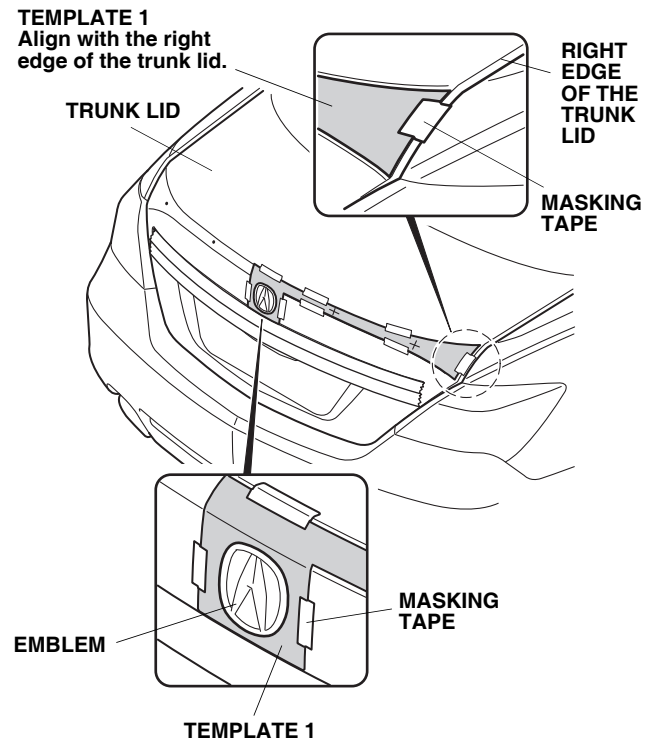
2. Align template 1 with the “A” emblem and the left edge of the trunk lid. Secure template 1 with masking tape starting from the center and working toward the left edge of the trunk lid.



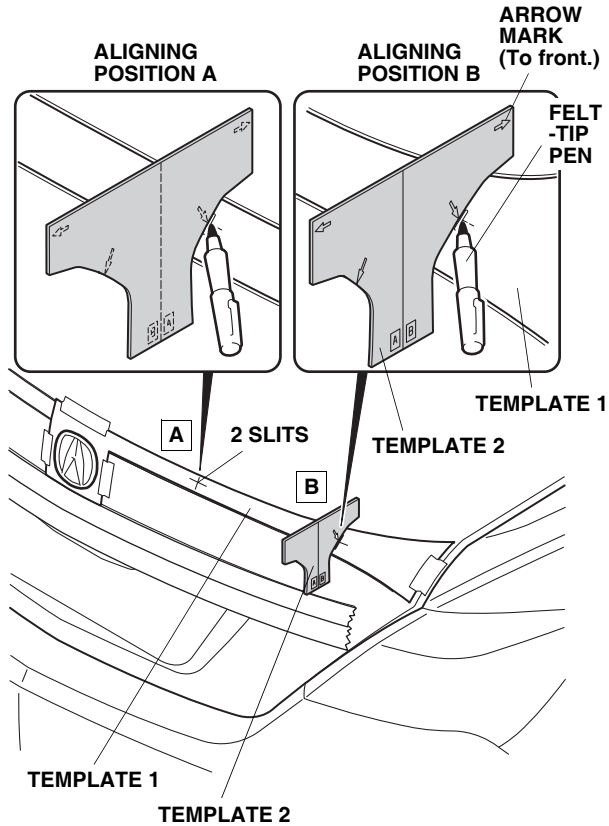
- Align template 2 with the two slits in template 1, and mark at the two points using a felt-tip pen. Check that the arrow mark on template 2 points toward the front. NOTE: Position A is for the inner hole location and position B is for the outer hole location.



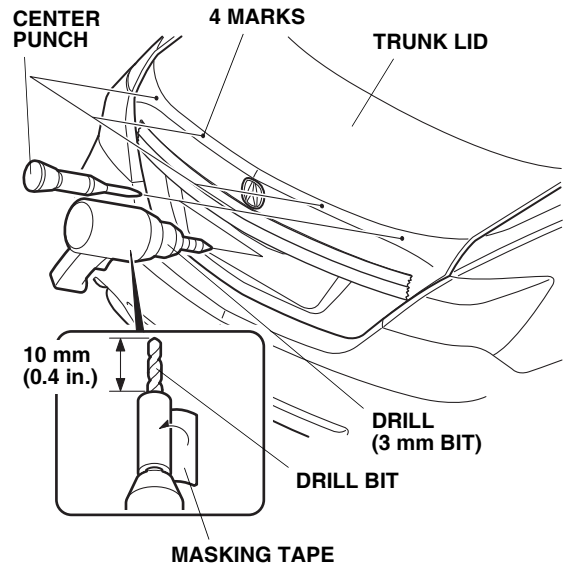
- Turn over template 1. Align template 1 with the "A" emblem and the right edge of the trunk lid. Secure template 1 with masking tape starting from the center and working toward the right edge of the trunk lid.



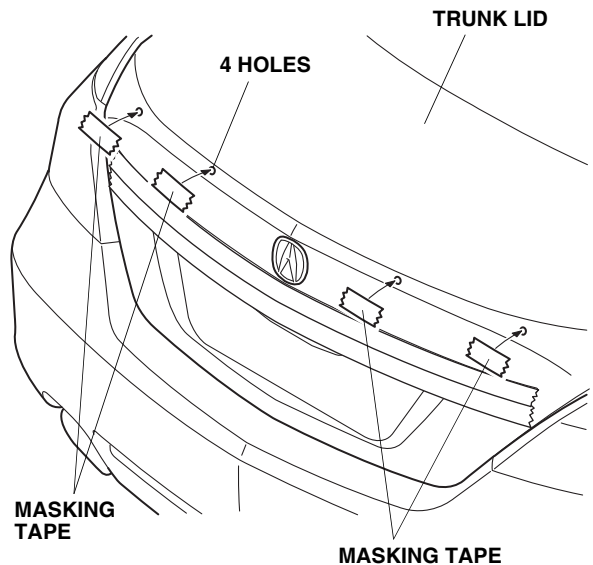
5. Align template 2 with the two slits in template 1, and mark at the two points using a felt-tip pen. Check that the arrow mark on template 2 points toward the front. NOTE: That position A is for the inner hole location and position B is for the outer hole location.
6. Remove template 1 from the trunk lid.



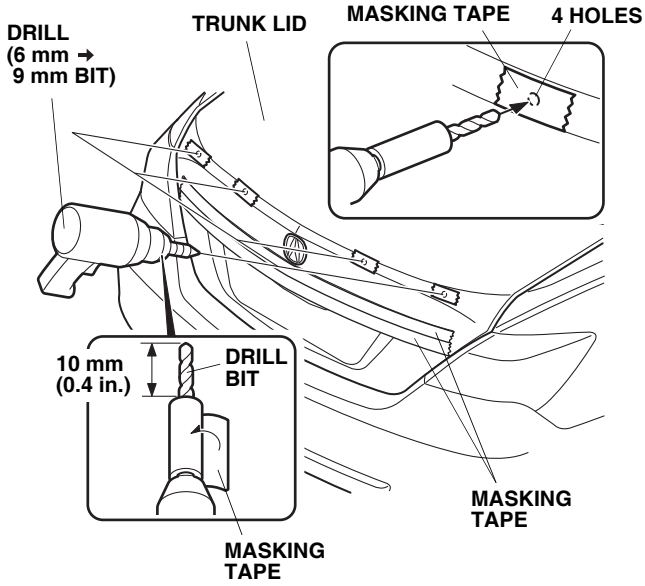
7. While wearing eye protection, lightly center-punch at the four marked points you made on the trunk lid. Drill at the marked points you just made with a 3 mm bit.
 - Set the punching force at the lowest before you mark using a center punch, or you can deform the body.
 - To prevent drilling through the trunk lid, wrap masking tape 10 mm (0.4 in.) away from the tip of the drill bit.



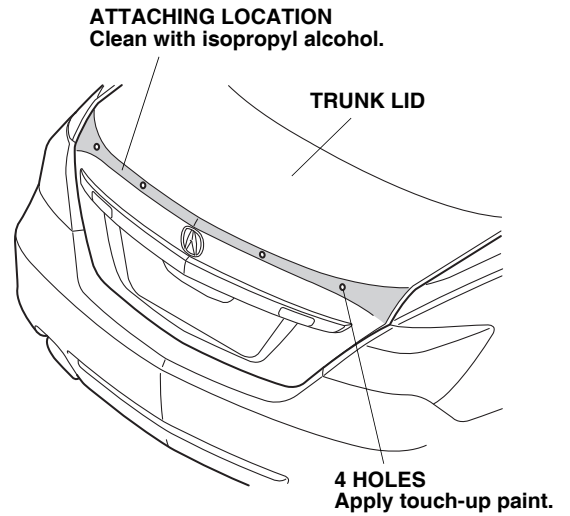
8. Attach duct tape to the four holes of the trunk lid.



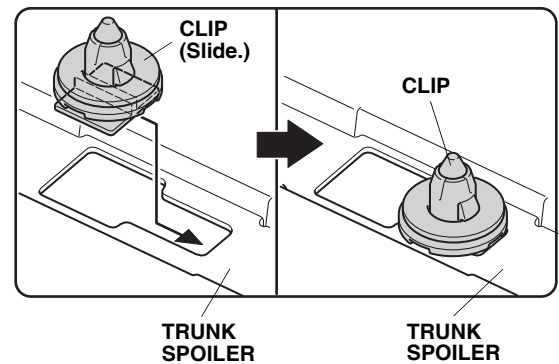
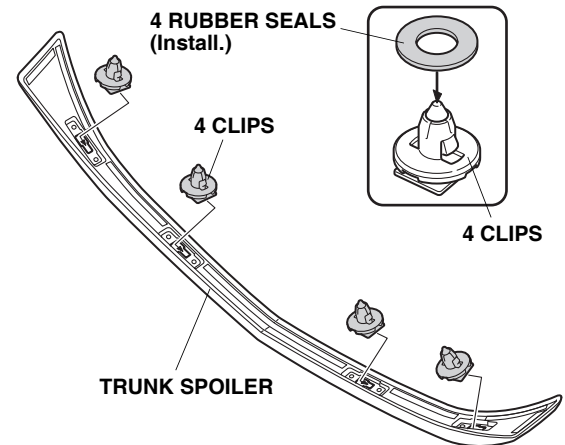
9. While wearing eye protection, drill at the four holes you just made with a 6 mm bit first, then with a 9 mm bit. To prevent drilling through the trunk lid, wrap masking tape 10 mm (0.4 in.) away from the tip of the drill bit.
10. Remove any burrs from the edge of the holes you just made. Remove the metal shavings thoroughly.
11. Remove the masking tape from the trunk lid and the rear license trim.



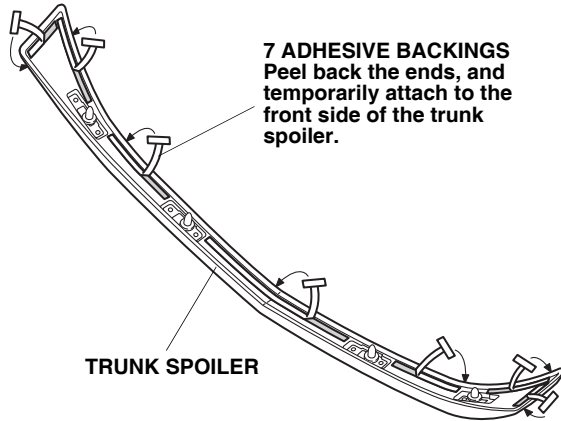
12. Using isopropyl alcohol on a shop towel, clean the area where the trunk spoiler will be attached.
13. Apply touch-up paint to the four holes in the trunk lid and let it dry thoroughly.



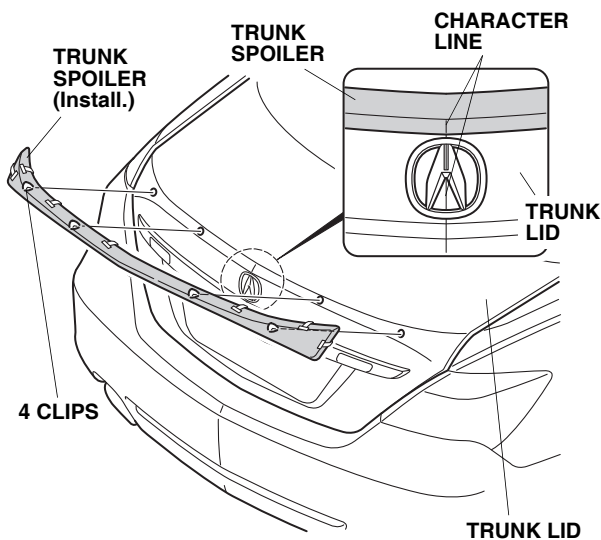
14. Install the rubber seals on the four clips.
15. Slide the four clips onto the trunk spoiler.



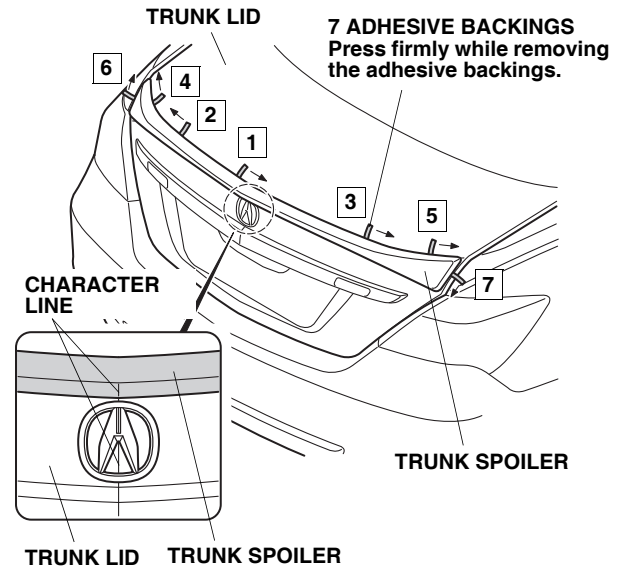
16. Attach pieces of masking tape to the ends of the adhesive backing on the trunk spoiler. Peel back the ends of the seven adhesive backings, and temporarily attach them to the front side of the trunk spoiler.



17. Install the trunk spoiler on the trunk lid using the four clips. Install the clips securely by tapping on the trunk spoiler lightly with your hand.
18. Check that the character line in the center of the trunk lid is in line with the character line in the center of the trunk spoiler. If the trunk spoiler is out of position, adjust the position by tapping on the end of trunk spoiler with your hand.

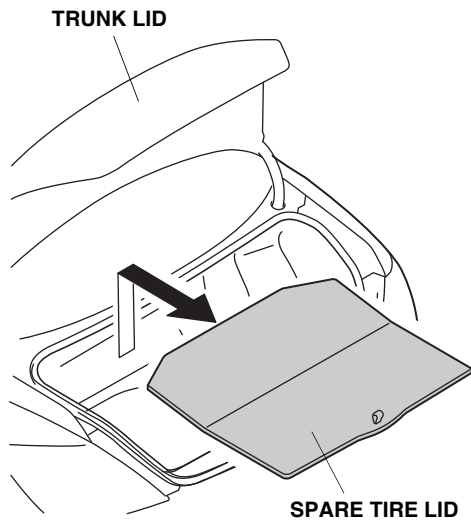


19. Remove the seven adhesive backings in the order shown. After you remove each backing, press down on the trunk spoiler to attach it to the trunk lid.
- Hold the spoiler firmly against the trunk lid with the palm of your hand.
 - After removal of the adhesive backings, apply sufficient pressure to the entire surface. Press the adhesive areas of the trunk spoiler firmly against the trunk lid with the palm of your hand for 30 seconds.

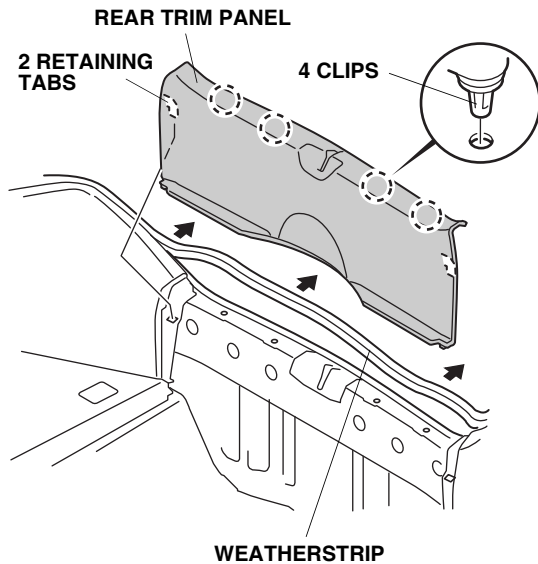


Installing the Support Struts

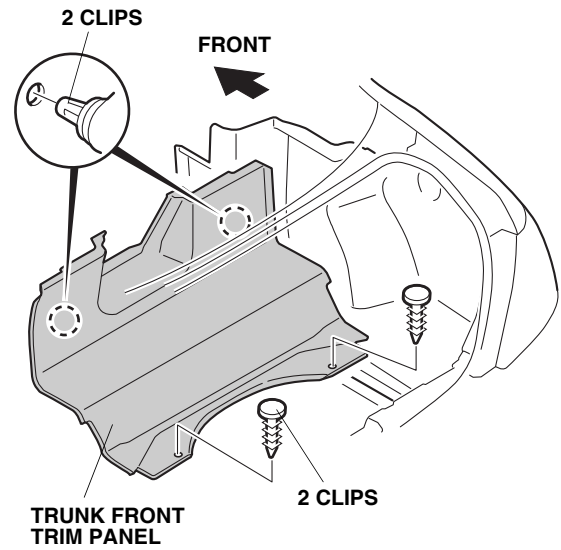
20. Open the trunk lid, and remove the spare tire lid.



21. Pull away the weatherstrip, and remove the rear trim panel (two retaining tabs and four clips).



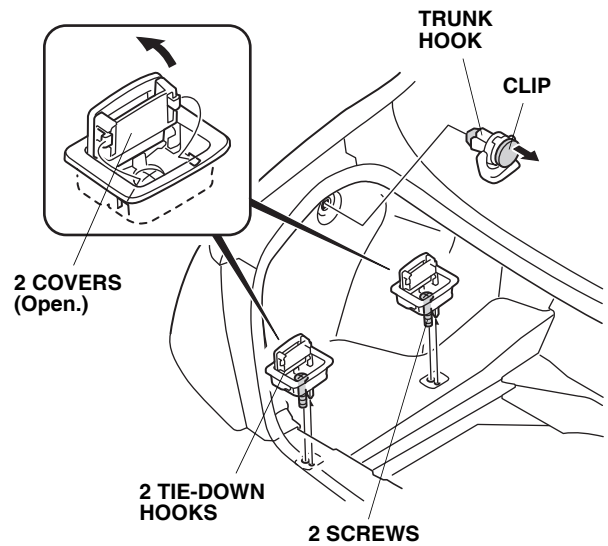
22. Remove the trunk front trim panel (four clips).



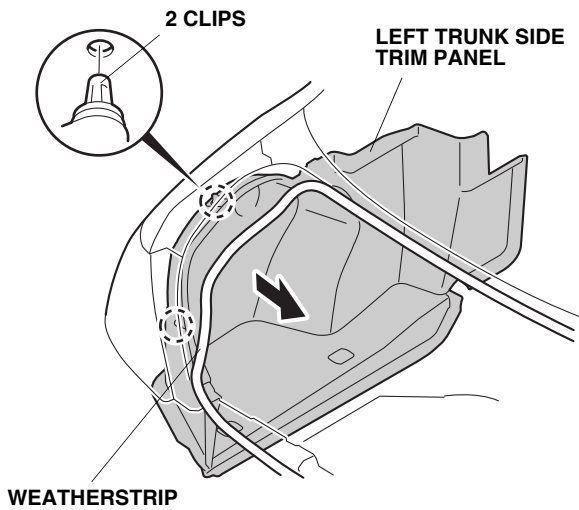
23. On the left side of the trunk, remove the trunk hook (one clip).

24. Open the two covers, and remove the two tie-down hooks (two screws).

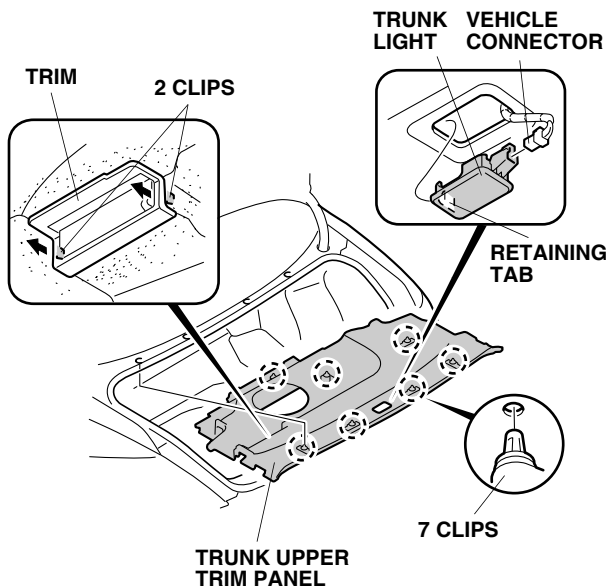
- Insert a small flat-tip screwdriver at the edge of the covers and pry it open.
- Take care not to damage the covers when opening it.



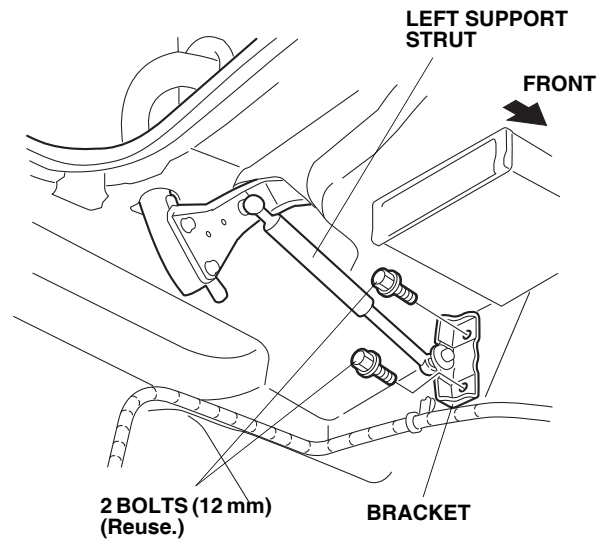
25. Pull away the weatherstrip, and remove the left trunk side trim panel (two clips).



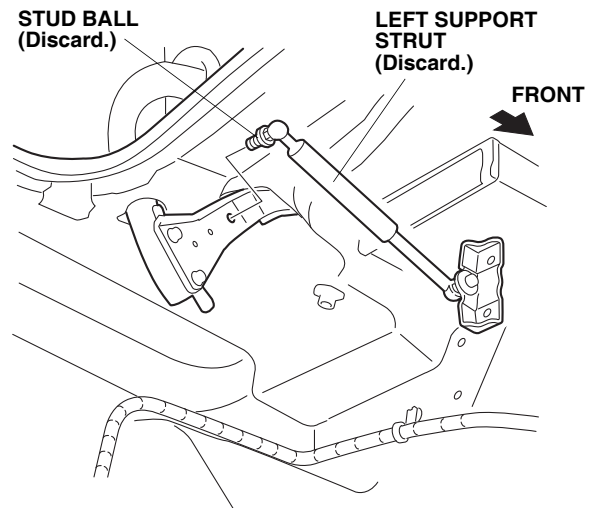
26. Repeat steps 23 thru 25 on the other side.
 27. Remove the trunk light (one retaining tab, and disconnect the vehicle connector).
 28. Remove the trim (two clips), and remove the trunk upper trim panel (seven clips). Hold the trunk upper trim panel with your hand while releasing the clips of the trim. Do not pull the trim to release the clips, or it can damage the trunk upper trim panel.



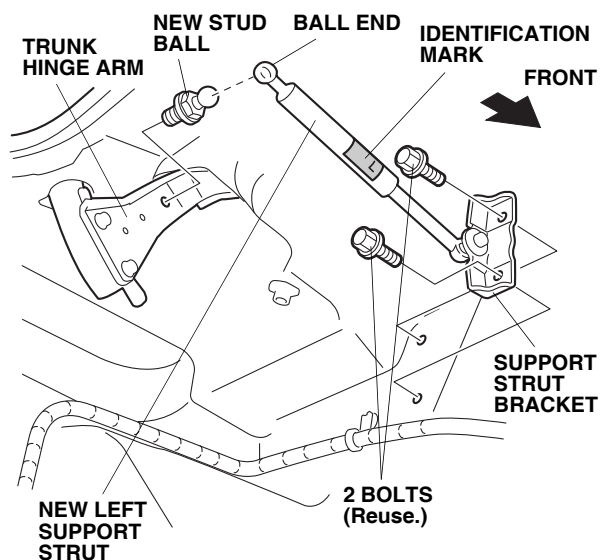
29. Remove the two 12 mm bolts securing the trunk lid support strut bracket on the left side of the vehicle.



30. Have an assistant hold the trunk lid. Using a 12 mm open end wrench, remove the support strut by removing the stud ball. Open the trunk lid halfway to remove the stud ball.



31. Install the new stud ball on the trunk hinge arm, and torque it to 22 N·m (16 lbf·ft).
32. Confirm the identification mark of the new support strut, and then install the new left support strut bracket with the two bolts. Torque the bolts to 22 N·m (16 lbf·ft).
33. Install the support strut on the stud ball by lightly tapping on the ball end with a rubber hammer.
34. Repeat steps 29 thru 33 on the right side of the vehicle.



35. Reinstall all removed parts. Check that all clips are installed securely.
36. Open the trunk lid, and make sure the trunk lid stays open on its own.

USE AND CARE

- Handle the spoiler with care. It is not designed to absorb impact.
- Do not open or close the trunk lid by grasping the spoiler.
- Check the spoiler mounting bolts periodically, and retighten them if necessary.