



# INSTALLATION INSTRUCTIONS

Accessory

LUGGAGE BASKET  
P/N 08L04-S3V-200

Application

2010 RDX

Publications No.

**BII 41795**

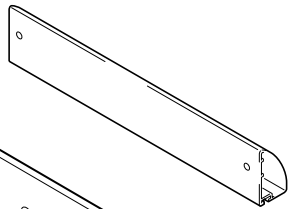
Issue Date

**JUNE 2009**

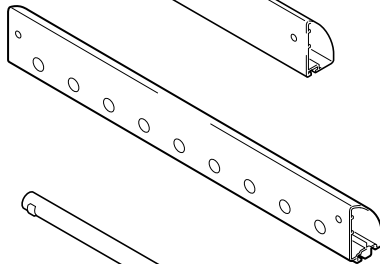
**Put this information in the glove box with the vehicle owner's manual.**

## PARTS LIST

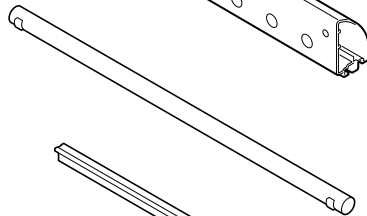
2 Frames A



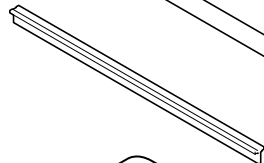
2 Frames B



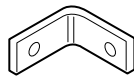
9 Pipes



Flap



4 L Brackets



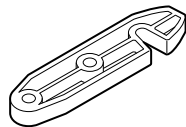
4 Bracket covers A



4 Bracket covers B



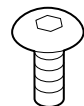
4 Brackets A



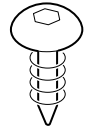
8 Bolts



8 Screws



8 Self-tapping screws



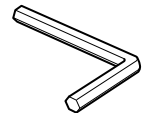
8 Nuts



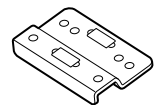
8 Washers



Hex wrench



4 Brackets B



8 Square nuts



8 Socket bolts



## TOOLS REQUIRED

Phillips screwdriver

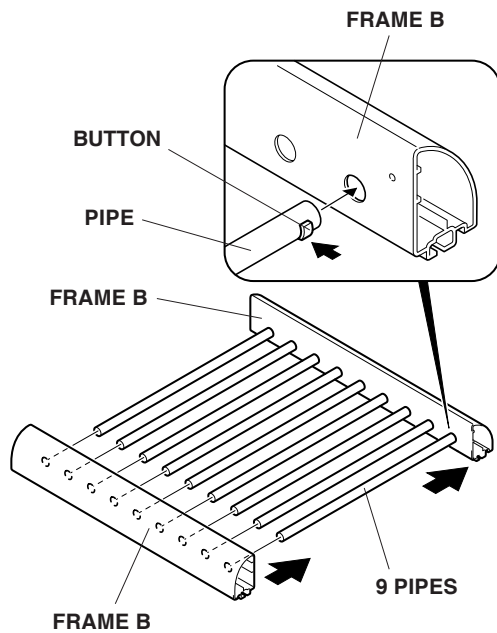
10 mm Combination wrench

## INSTALLATION

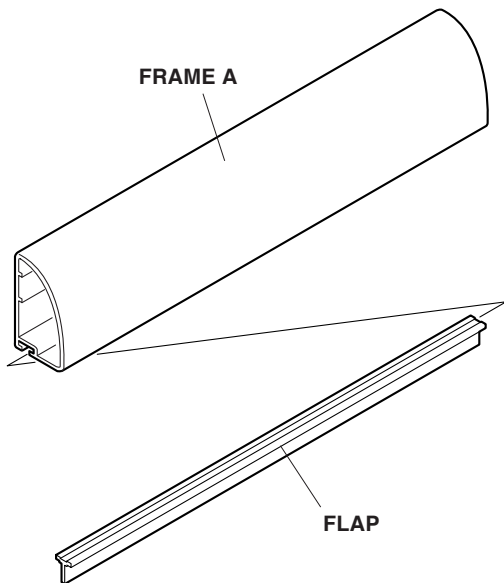
### NOTE:

- Be careful not to damage the roof and finished surfaces of the body when installing the luggage basket.
- Before entering an automatic car wash, check the vehicle height limit of the automatic car wash and the height of the vehicle. Proceed carefully.
- The maximum load capacity for this product is 110 lbs (50 kg); approximate product weight is 12 lbs (5 kg).
- An optional roof rack (sold separately) is required to install the luggage basket.

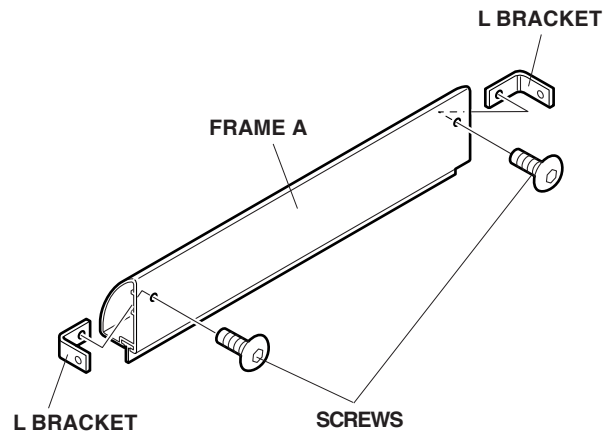
1. Insert the nine pipes into frame B; press down on the button on the end of each pipe, and push the end into the hole in frame B. Repeat on the other side.



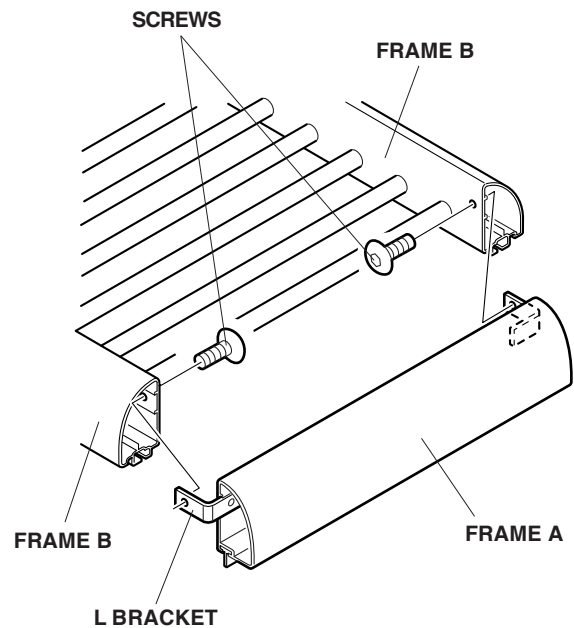
2. Slide one flap into the groove of one frame A. This will be the front of the basket.



3. Attach one L bracket onto each end of frame A, using one screw for each bracket.

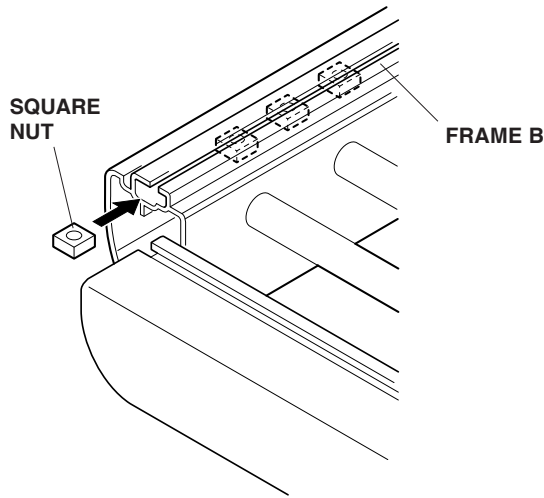


4. Install L brackets on the other frame A.
5. Attach frame A to frame B by sliding the L brackets into frame B, and installing two screws.

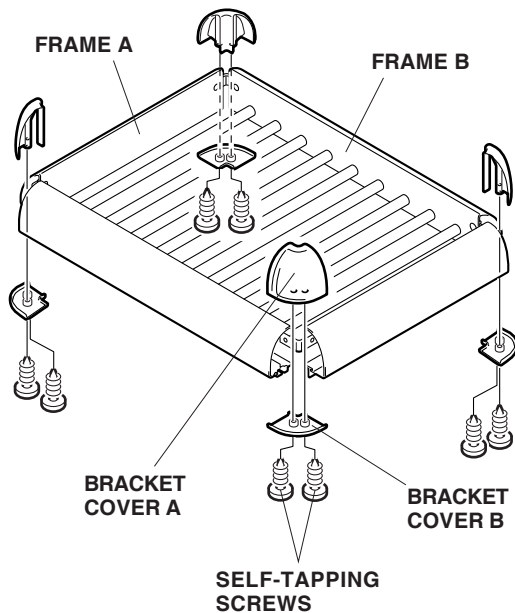


6. Install the remaining frame A to frame B the same way.

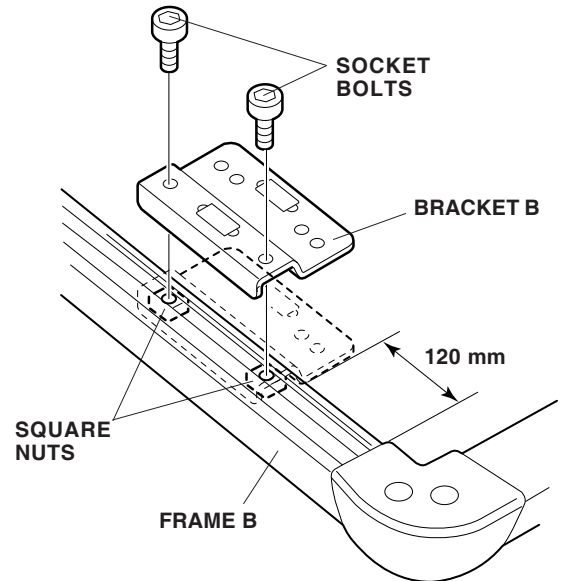
- Slide four square nuts into frame B through the groove as shown. Repeat on the other frame B.



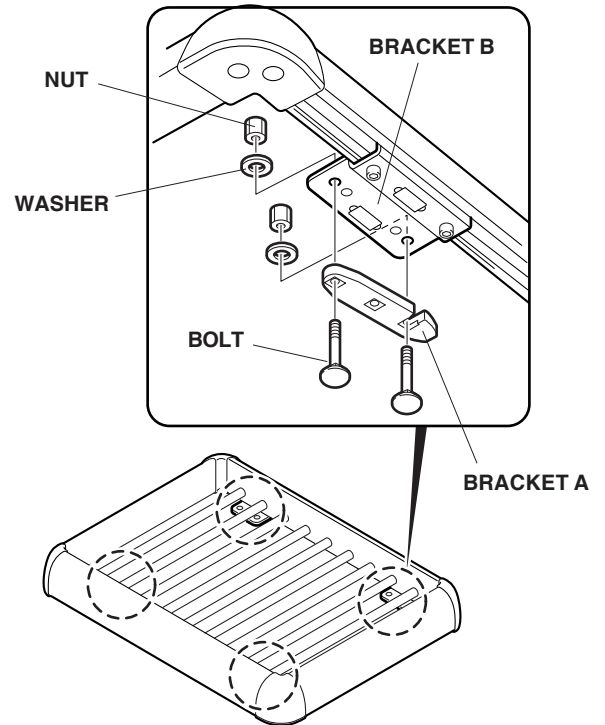
- Position four bracket covers (A) over the ends of the frames A and B, then install four bracket covers (B) and install self-tapping screws to secure the cover.



- Position four brackets (B) to frame B at the measurement shown, and install two socket bolts into the two square nuts for each bracket (B).



- Attach one bracket A to each of four brackets (B), using two bolts, two washers, and two nuts for each bracket A. Do not tighten the bolts yet.



11. Position the roof basket on the roof rack, with the flap from frame A facing forward. Attach the basket to the cross bars by sliding bracket (A) around the crossbar and tightening the nuts. Make sure to tighten the nuts evenly.

