



INSTALLATION INSTRUCTIONS

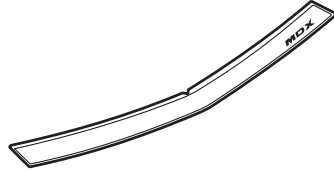
Accessory
REAR BUMPER APPLIQUE
P/N 08P48-STX-200

Application
2010 MDX

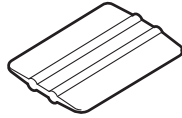
Publications No.
BII 42021
Issue Date
FEB 2010

PARTS LIST

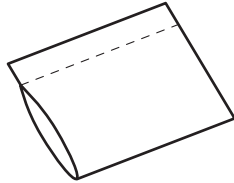
Rear bumper applique



Applicator



Soft sleeve



TOOLS AND SUPPLIES REQUIRED

Isopropyl alcohol

Lint-free shop towel

Masking tape

Spray bottle

3M Protective tape application solution (P/N 08712-0008)

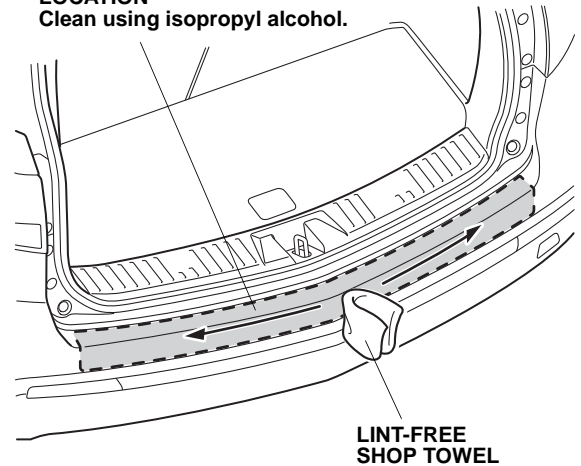
INSTALLATION

NOTE:

- Be careful not to damage the rear bumper and other finished surfaces of the body.
- This rear bumper applique should be installed only if the ambient air temperature is 15°C (60°F) or above.
- To allow the adhesive to cure, do not wash the vehicle for 24 hours.

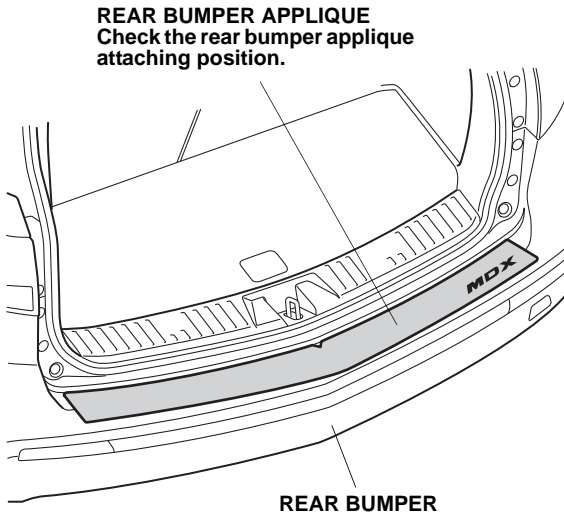
1. Using isopropyl alcohol on a lint-free shop towel, clean the rear bumper where the rear bumper applique will attach.

**REAR BUMPER APPLIQUE
LOCATION**
Clean using isopropyl alcohol.

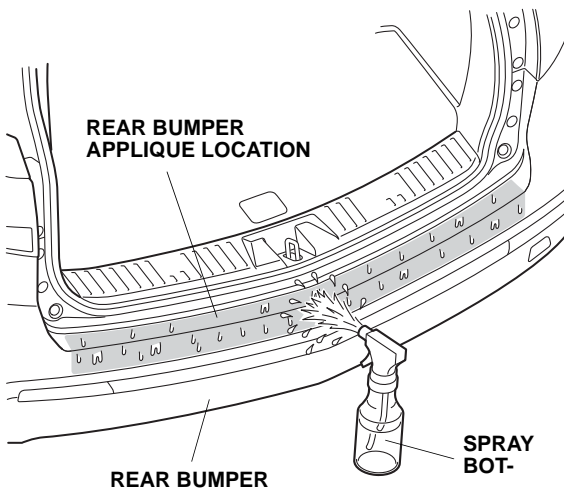


**LINT-FREE
SHOP TOWEL**

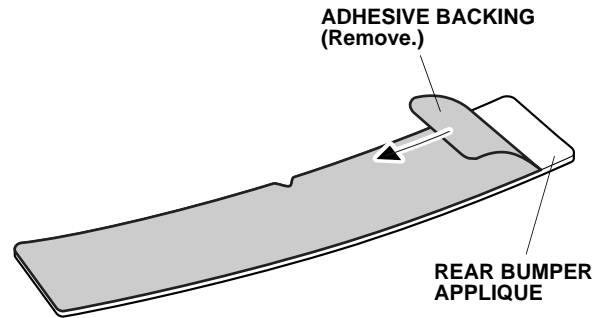
- Align the rear bumper applique to the rear bumper and check the rear bumper applique attaching position.



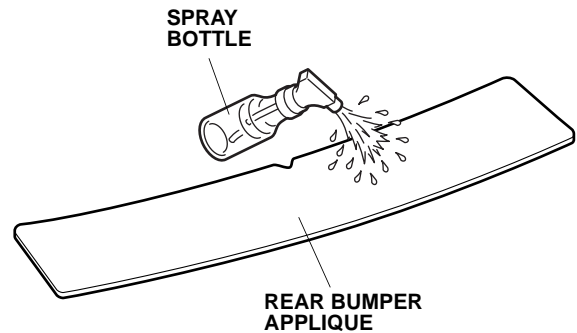
- Remove the rear bumper applique.
- Using a spray bottle with 3M protective tape application solution, spray the rear bumper where the rear bumper applique will attach.



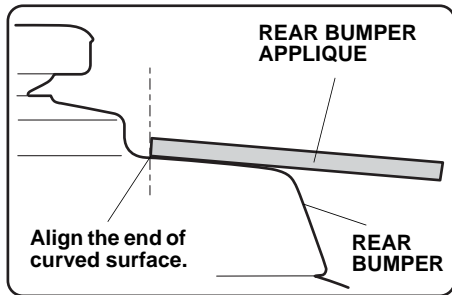
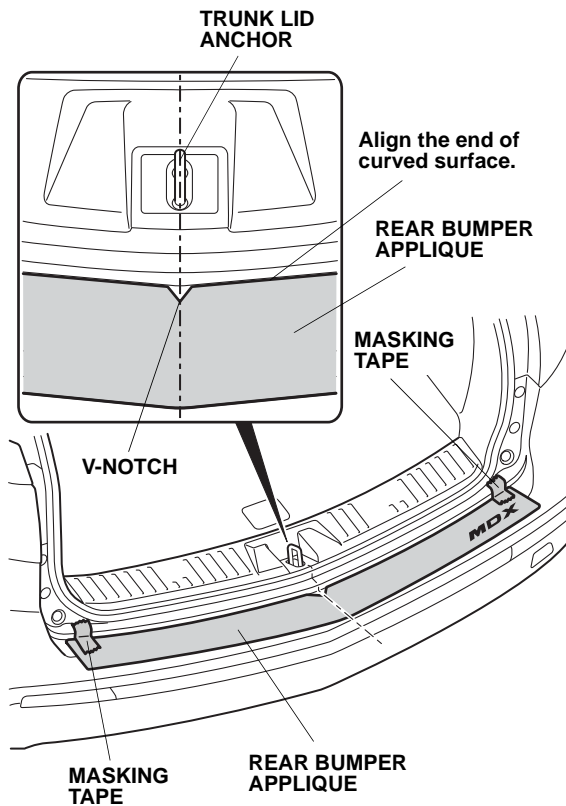
- Remove the adhesive backing from the rear bumper applique.



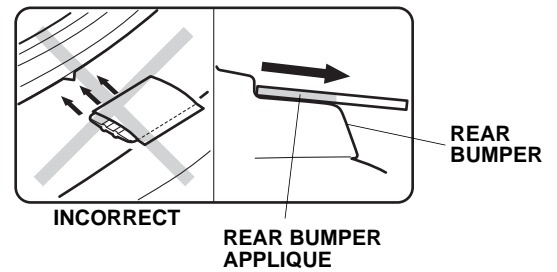
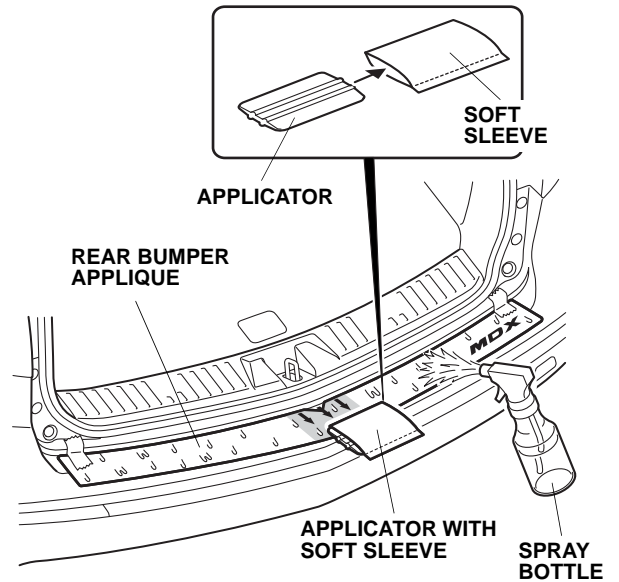
- Using a spray bottle with 3M protective tape application solution, spray the rear bumper applique.



- Align the V-notch of the rear bumper applique with the center of the trunk lid anchor as shown. Smooth rear bumper applique along the rear bumper and tape each end at the curved surface.

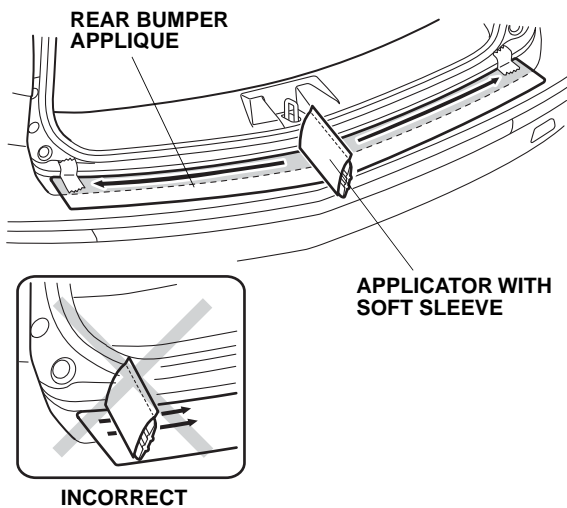


- Insert the applicator into the soft sleeve.

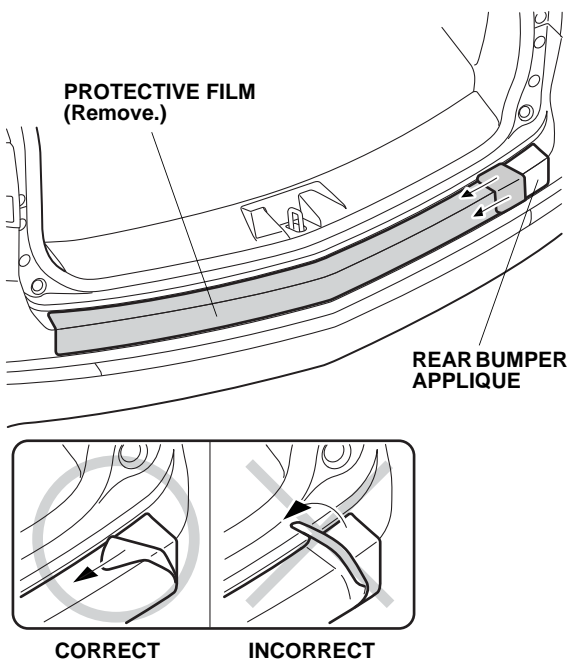


- Position the rear bumper applique on the rear bumper. Avoid touching the adhesive with your fingers.
- Using a spray bottle with 3M protective tape application solution, spray the top of the rear bumper applique.
- Using the applicator with soft sleeve, apply pressure to smooth out the top surface at the center of the rear bumper applique using downward strokes. Do not push upward.

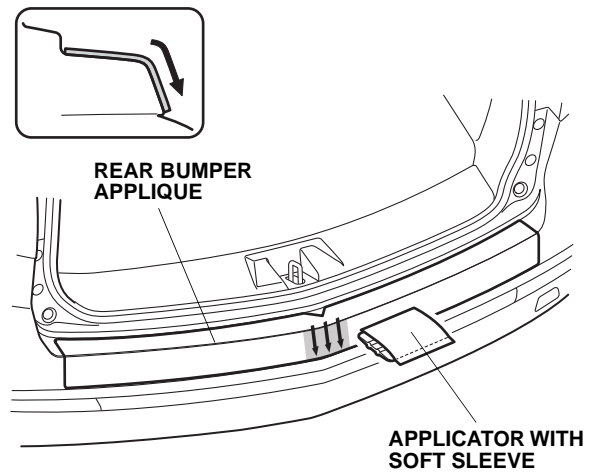
12. Starting from the center and working outward, use the applicator with soft sleeve to smooth the rear bumper applique. Stroke in one direction with quick motion.



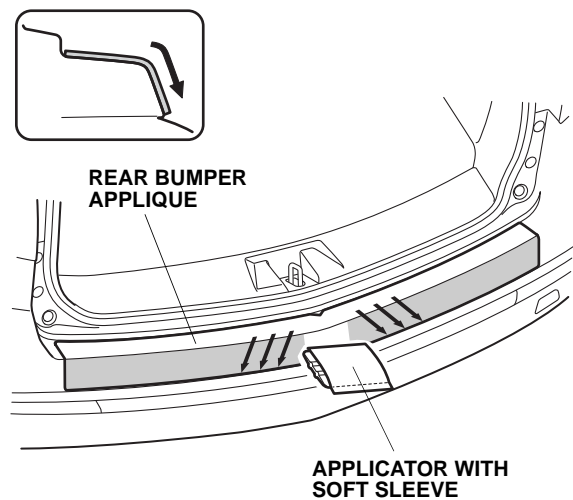
13. Remove the masking tapes attached in step 7.
14. Remove the protective film from the top of the rear bumper applique. Remove the protective film by pulling it slowly and horizontally. Do not pull up the protective film.



15. Once the flat surface is completely smooth with no bubbles, use the applicator with soft sleeve to apply the rear bumper applique to the rounded rear edge at the center as shown.



16. Use the applicator with soft sleeve to apply the rear bumper applique to the rounded rear edge on the left side as shown. Start in the center and work outward. Repeat for the right side.



- 17. Use a lint-free shop towel to rub across and down on the rounded rear edge. Allow the rear bumper applique to dry thoroughly.

