



ACURA INSTALLATION INSTRUCTIONS

Accessory

SOFT CARGO ORGANIZER
P/N 08U20-STK-200

Application

2009 TSX

Publications No.

BII 39050

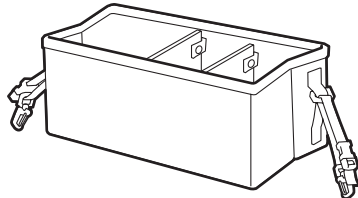
Issue Date

APRIL 2008

Put this information in the glove box with the vehicle owner's manual.

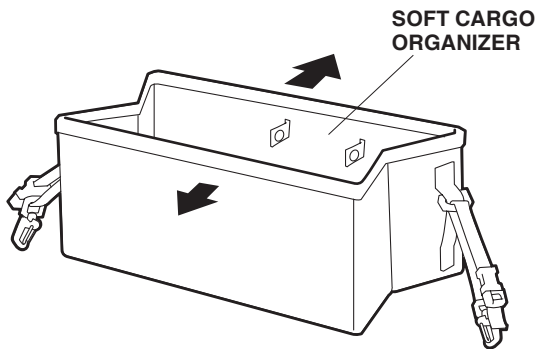
PARTS LIST

Soft cargo organizer

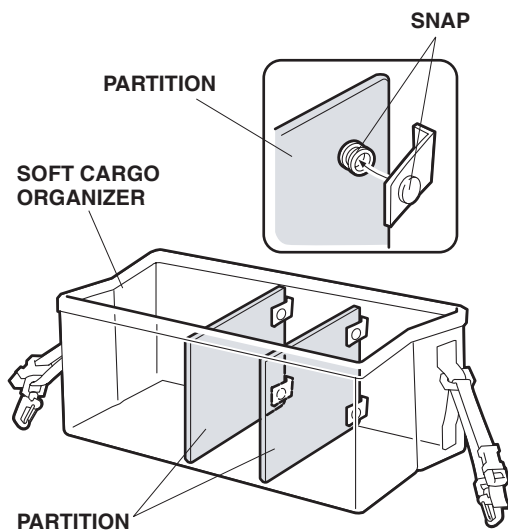


INSTALLATION

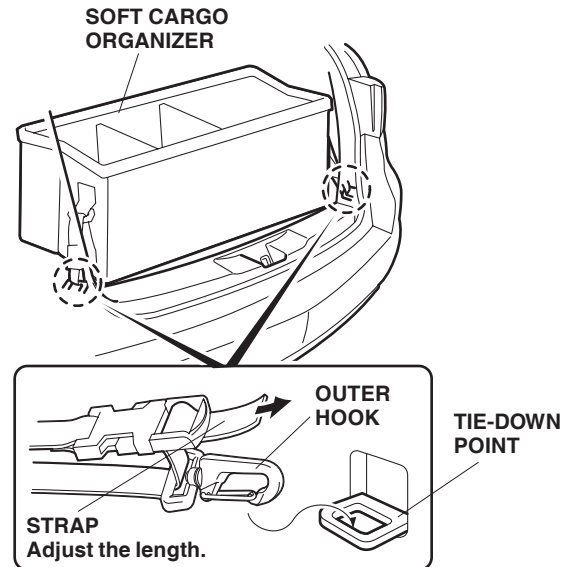
1. Open the soft cargo organizer.



2. Attach the two partitions to the soft cargo organizer by connecting the snap.



3. Place the organizer in the cargo area of the vehicle, and attach the outer hooks of the organizer to the tie-down points.



4. Adjust the length of the strap as needed to secure the organizer to the tie-down points.

NOTE: Before storing articles that have sharp edges or corners, wrap them in paper or a blanket so the sharp edges or corners do not contact the soft cargo organizer.