



ACURA INSTALLATION INSTRUCTIONS

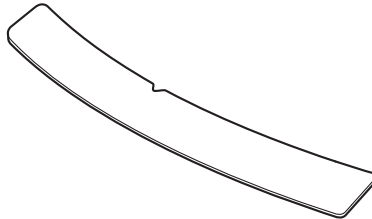
Accessory
**REAR BUMPER
APPLIQUE**
P/N08P48-STK-200

Application
2009 RDX

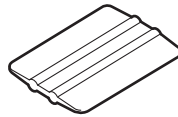
Publications No.
BII 39540
Issue Date
MAY 2008

PARTS LIST

Rear bumper applique



Applicator



TOOLS AND SUPPLIES REQUIRED

Isopropyl alcohol
Shop towel

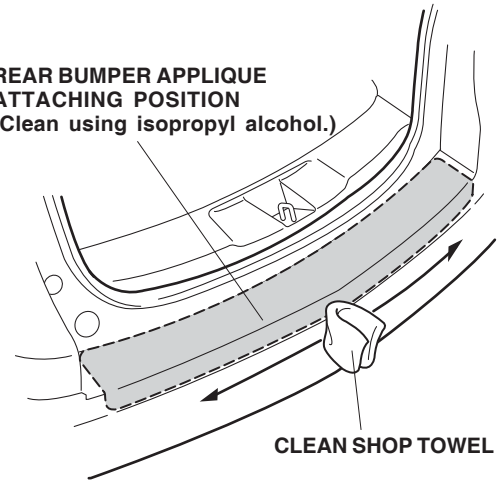
INSTALLATION

NOTE:

- Be careful not to damage the rear bumper and other finished surfaces of the body.
- This rear bumper applique should be installed only if the ambient air temperature is 60°F (15°C) or above.
- To allow the adhesive to cure, do not wash the car for 24 hours.

1. Using isopropyl alcohol on a clean shop towel, clean the rear bumper where the rear bumper applique will be applied.

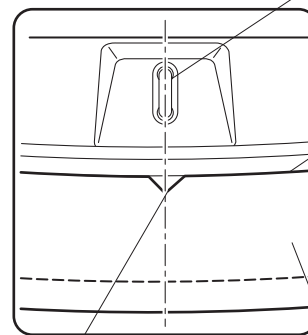
**REAR BUMPER APPLIQUE
ATTACHING POSITION**
(Clean using isopropyl alcohol.)



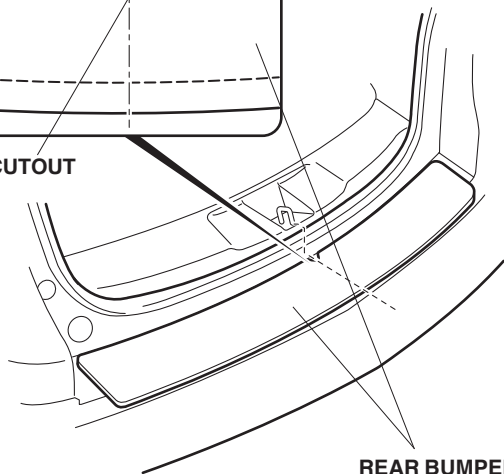
2. Align the cutout of the rear bumper applique with the center of the tailgate anchor. Attach the rear bumper applique by aligning the end of curved surface.

**TAILGATE
ANCHOR**

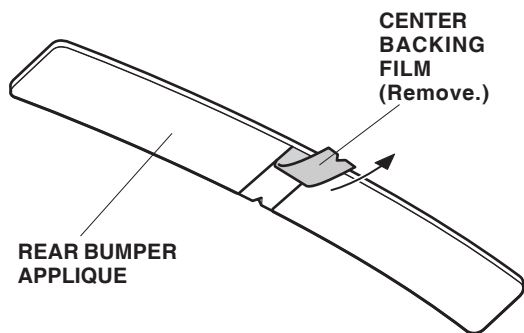
**Align the end of
curved surface.**



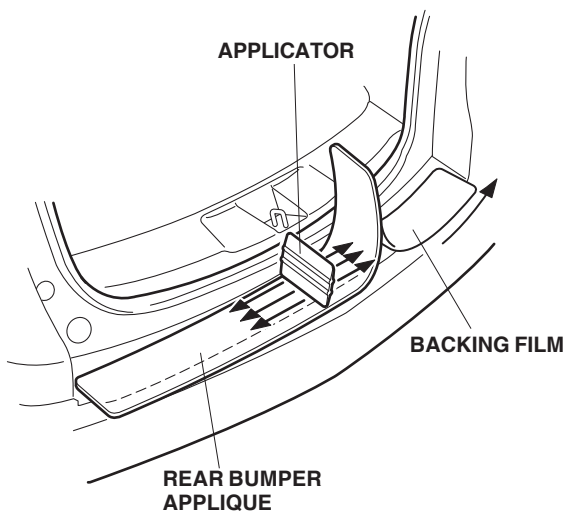
CUTOUT



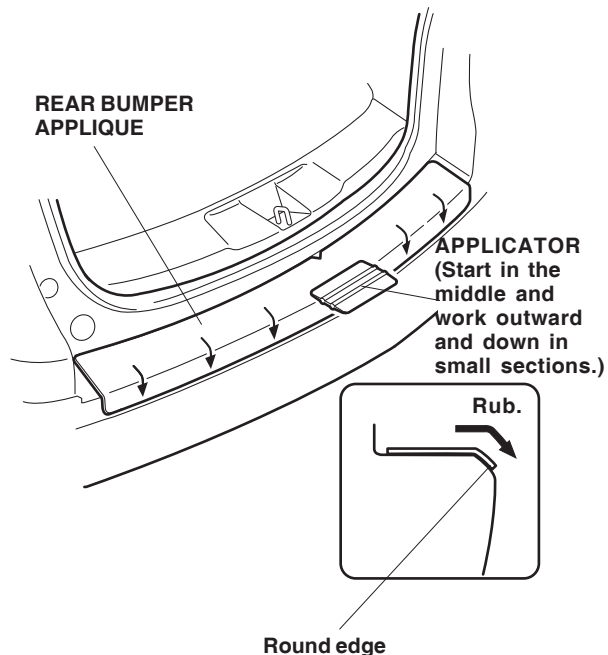
- Remove only the center backing film from the rear bumper applique.



- Starting from the center, remove about 3 inches of backing film and fold it back. Using the applicator, firmly press the top section of the bumper applique against the bumper. Don't worry about the rear round edge at this time. If you see a bubble, stop, gently peel up that section and work out the bubble. Continue across the bumper 3 inches at a time until finished, work slowly keeping pressure against the rear bumper applique. Apply the other side of the applique using the same method.



- Once the top section is finished with no bubbles, use applicator to adhere the round edge. Start in the middle and work outward and down ward in small sections. Rub applicator across and down around the bumper 3 to 4 times to prevent air bubbles. Adhere the rear bumper applique to the other side the same way.



- Remove the protective film from the rear bumper applique after it is thoroughly dry.

Remove the protective film slowly so the rear bumper applique and the protective film are parallel to each other.

