

**ACURA**  
**INSTALLATION**  
**INSTRUCTIONS**

Accessory  
**CARGO ORGANIZER**  
**P/N 08U20-STK-200**

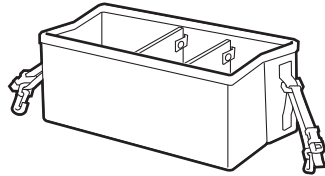
Application  
**2009 RDX**

Publications No.  
**BII 39561**  
 Issue Date  
**MAY 2008**

**Put this information in the glove box with the vehicle owner's manual.**

**PARTS LIST**

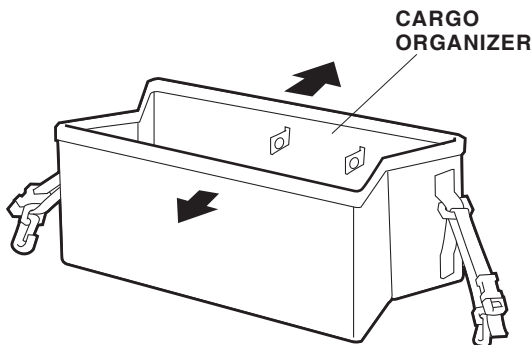
Cargo organizer



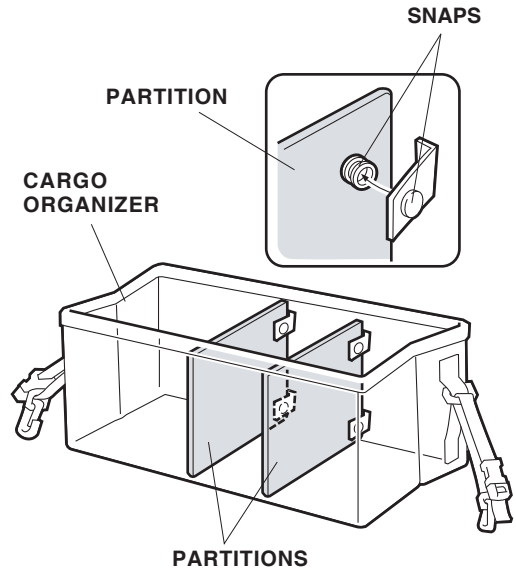
**INSTALLATION**

**NOTE:** Before storing articles that have sharp edges or corners, wrap them in paper or a blanket to help prevent damage to the cargo organizer.

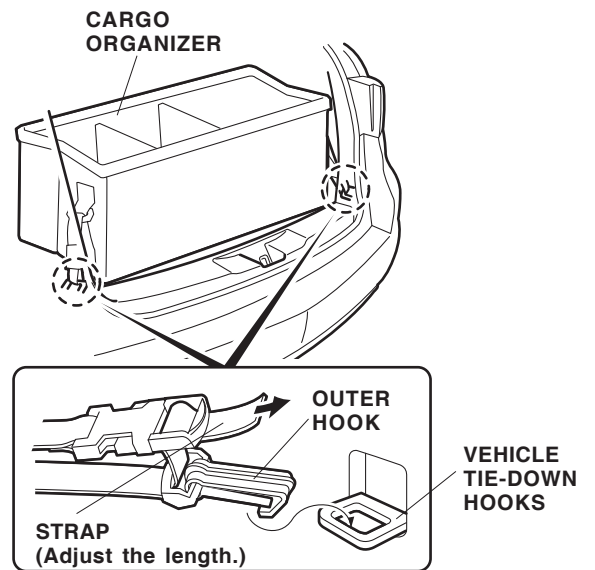
1. Open the cargo organizer.



2. Attach the two partitions to the cargo organizer by connecting the inner snaps.



3. Place the organizer in the cargo area of the vehicle, and attach the outer hooks of the organizer to the vehicle tie-down hooks.



4. Adjust the length of the straps as needed to secure the organizer to the vehicle tie-down hooks.