

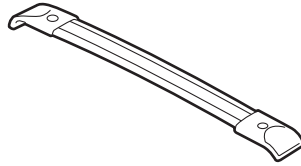


ACURA INSTALLATION INSTRUCTIONS

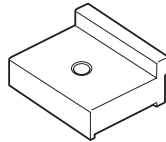
Accessory	Application	Publications No.
ROOF RACK CROSSBARS P/N 08L04-STX-200	2009 MDX	BII 39907
		Issue Date
		JULY 2008

PARTS LIST

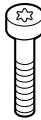
2 Crossbars



4 Joint holders



4 TORX bolts



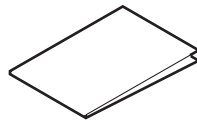
4 Washers



4 Lock washers



Accessory User's Information Manual



TOOLS REQUIRED

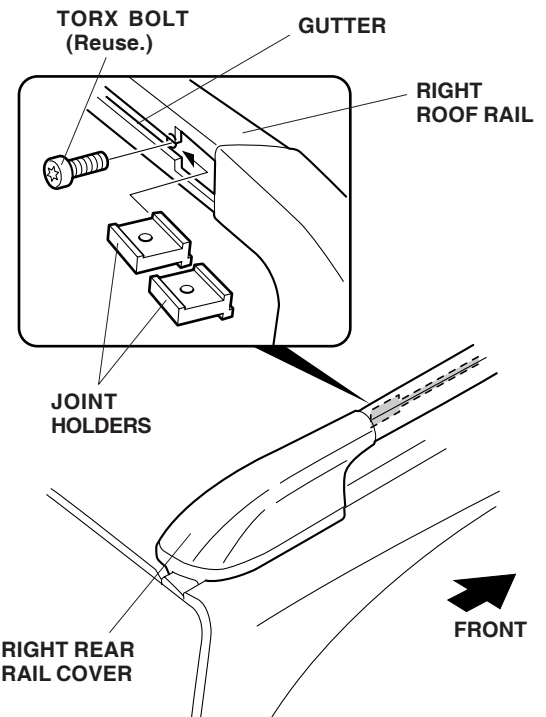
T-15 TORX screwdriver

T-30 TORX screwdriver

INSTALLATION

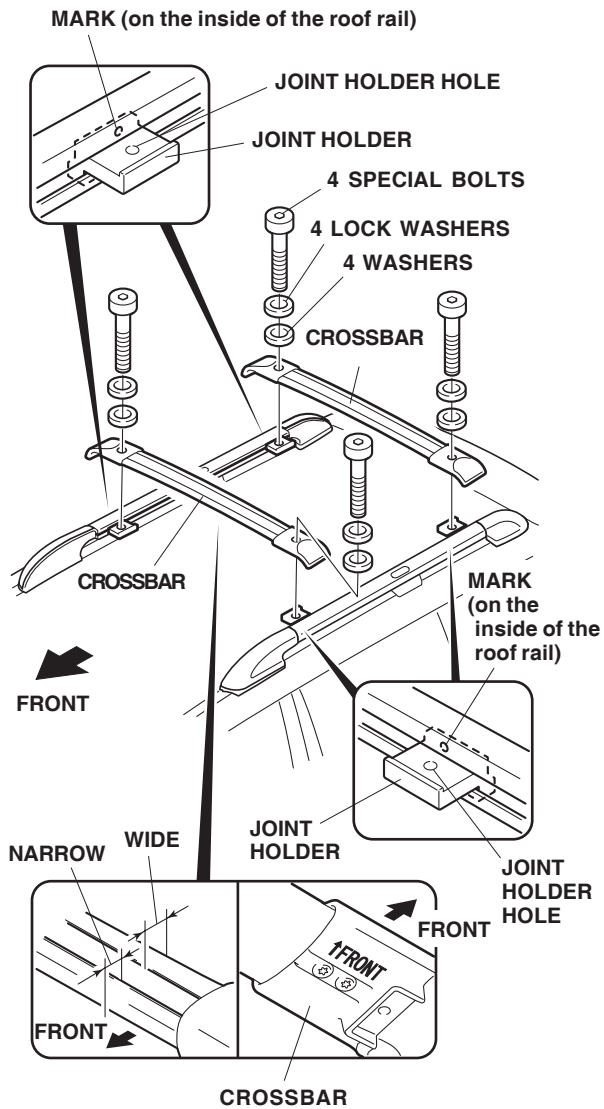
NOTE:

- Wipe the roof rails clean before installing the crossbars.
 - Be careful not to damage the body paint.
1. Remove the TORX bolt from the inside rear of the right roof rail.



2. Slide two joint holders into the gutter of the right side rail, and reinstall the TORX bolt securely.
3. Repeat steps 1 and 2 for the other roof rail.

- Slide each joint holder forward, and align the hole in the joint holder with the marks on the inside of the roof rail.



- Position the crossbars on the joint holders, and install the special bolts with washers. Tighten the bolts securely.

USE AND CARE

- Check the roof rack crossbar mounting bolts frequently, and retighten them if necessary.
- Distribute the weight of the cargo evenly, and do not exceed the maximum weight capacity of 165 lb (75 kg).