



# INSTALLATION INSTRUCTIONS

Accessory  
***in-VEHICLE***  
**ENTERTAINMENT SYSTEM**

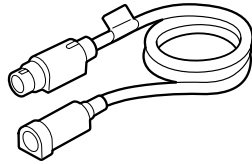
Application  
**2008 TSX**

Publications No.  
**BII 37228**  
Issue Date  
**JUNE 2007**

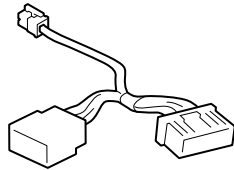
## PARTS LIST

**Attachment Kit**  
**P/N 08B23-SDA-101A**

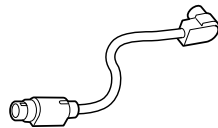
*i*-VES harness



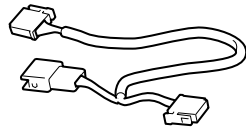
Main harness



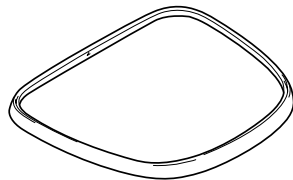
DIN Harness



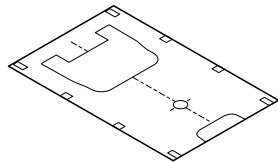
Room light harness



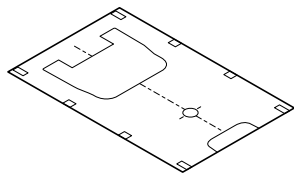
Room light gasket



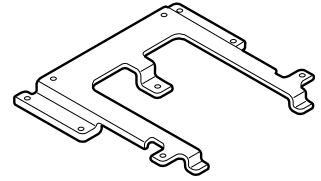
Accord template  
(not used)



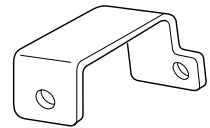
TSX template



Monitor bracket



FM modulator bracket



2 Washer-screws, 5 x 16 mm



Washer-screw, 5 x 12 mm



2 Washer-screws, 5 x 25 mm



5 Square-neck bolts



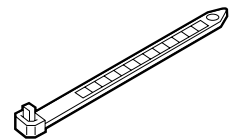
5 Flange nuts, 4 mm



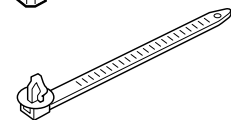
Flange nut, 5 mm



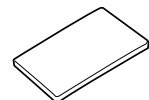
16 Wire ties



Wire ties with clip  
(not used)

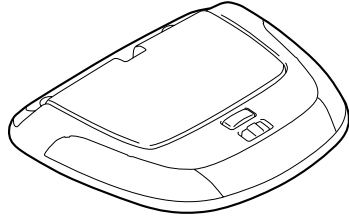


6 Cushion tapes

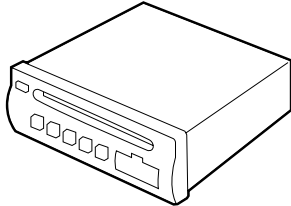


**Monitor Kit (sold separately):  
P/N 08A23-2E1-011**

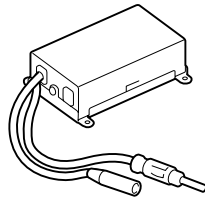
Monitor console



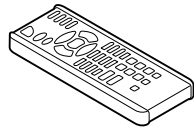
DVD player



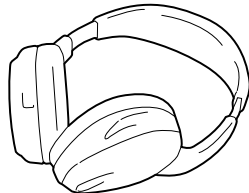
FM modulator



Remote control



2 Headphones



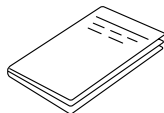
5 Washer-screws, 5 x 8 mm



2 Screw caps

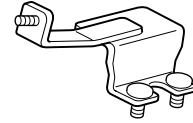


Accessory user's  
information manual

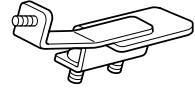


**Audio Attachment Kit (sold separately):  
P/N 08B06-SEC-220**

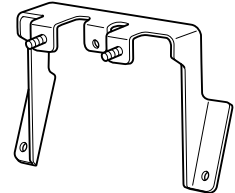
Right upper player bracket



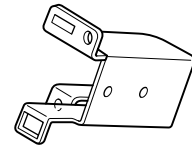
Left upper player bracket



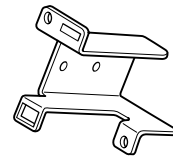
Lower player bracket



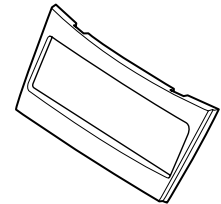
Right player bracket



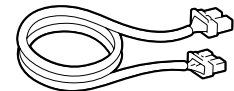
Left player bracket



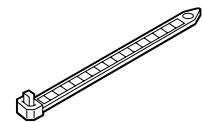
Player panel



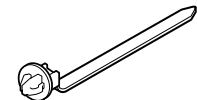
Bus cable  
(not used)



2 Wire ties



Wire tie with clip  
(not used)



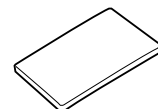
8 Flange nuts, 6 mm



2 Latches



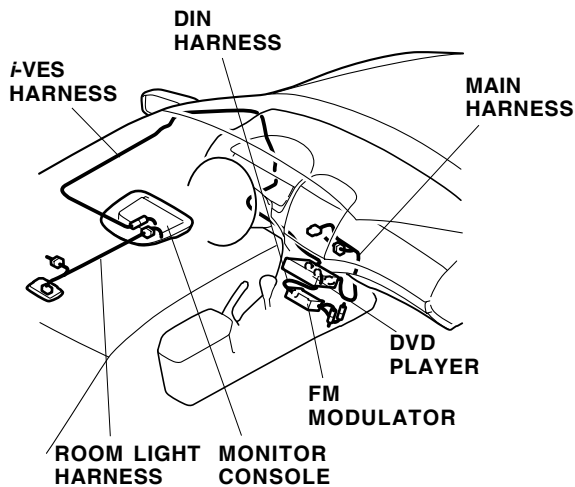
Cushion tape



## TOOLS AND SUPPLIES REQUIRED

Phillips screwdriver  
Flat-tip screwdriver  
Clip remover  
10 mm Combination wrench  
Ratchet  
7 mm, 8 mm, 10 mm, 12 mm, and 14 mm Sockets  
Torque wrench  
Utility knife  
Isopropyl alcohol  
Masking tape  
Piece of steel wire  
Shop towel  
Electrical tape  
Scissors  
Hook tool  
Diagonal cutters

## Illustration of the *in-vehicle* Entertainment System Installed in the Vehicle

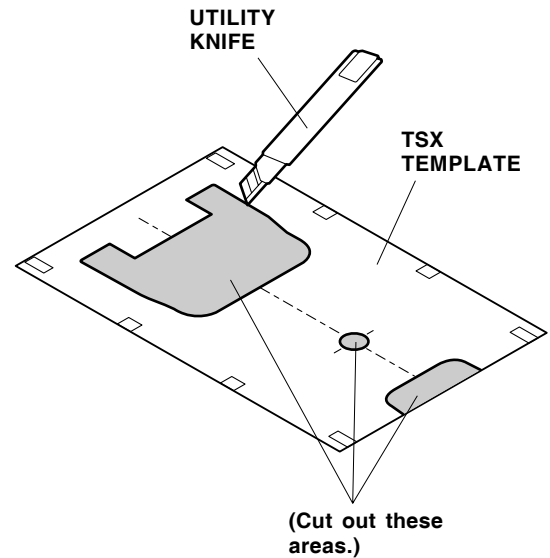


## INSTALLATION

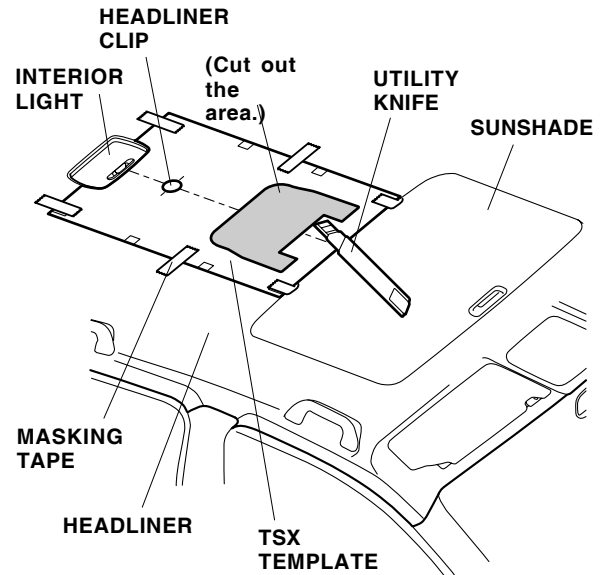
**Client Information:** The information in this installation instruction is intended for use only by skilled technicians who have the proper tools, equipment, and training to correctly and safely add equipment to your car. These procedures should not be attempted by "do-it-yourselfers."

1. Make sure you have the anti-theft code for the radio, and the navigation system, if equipped, then write down the frequencies for the preset buttons.
2. Disconnect the negative cable from the battery.

3. Using the utility knife, cut out the marked areas from the TSX template along the lines.



4. Close the sunshade. Position the TSX template on the headliner, align the interior light and the headliner clip, and tape the TSX template to the headliner using strips of masking tape.

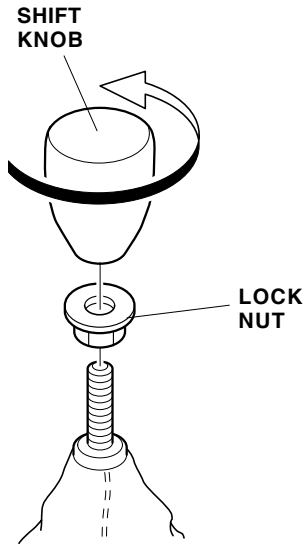


5. Using the utility knife, cut out the headliner around the edge of the TSX template.

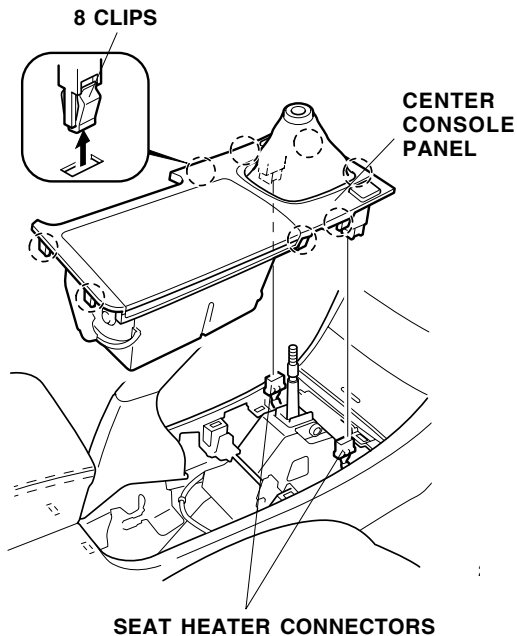
6. Remove the center console panel.

**M/T Model:**

- Remove the shift knob by turning it counterclockwise.
- Remove the lock nut.

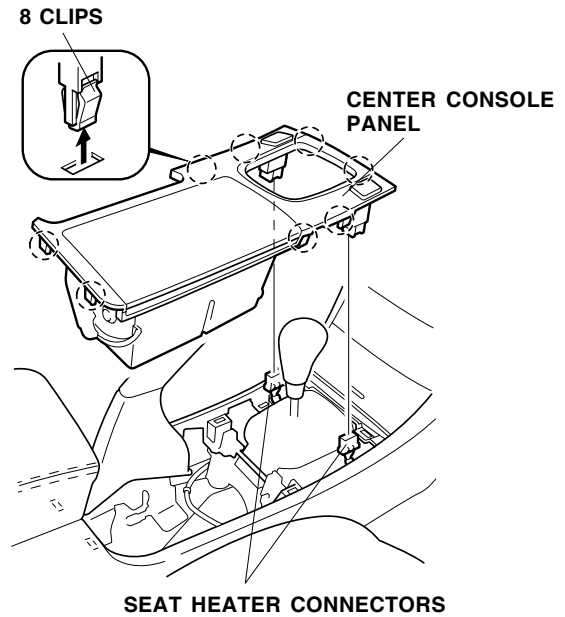


- Gently pry up on the center console panel to release the eight clips.
- Unplug the two seat heater connectors (if equipped), and remove the center console panel.

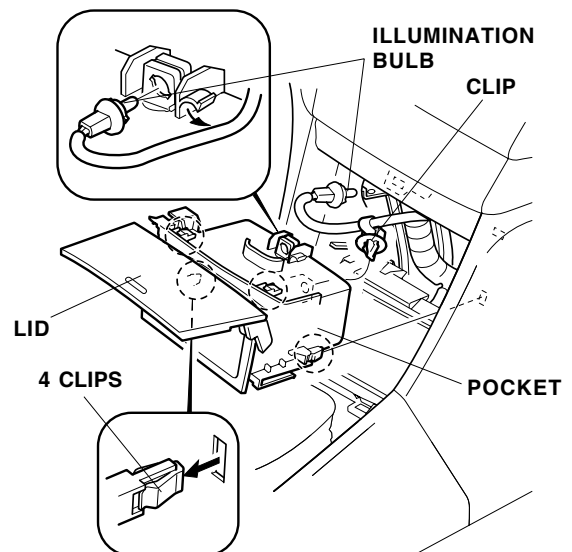


**A/T Model:**

- Gently pry up on the center console panel to release the eight clips.
- Unplug the two seat heater connectors (if equipped), and remove the center console panel.



7. Open the pocket lid. Pull the pocket out toward you to release the four clips, unplug the illumination bulb, unclip the illumination bulb harness from the pocket, and remove the pocket. Take care not to damage the illumination bulb.

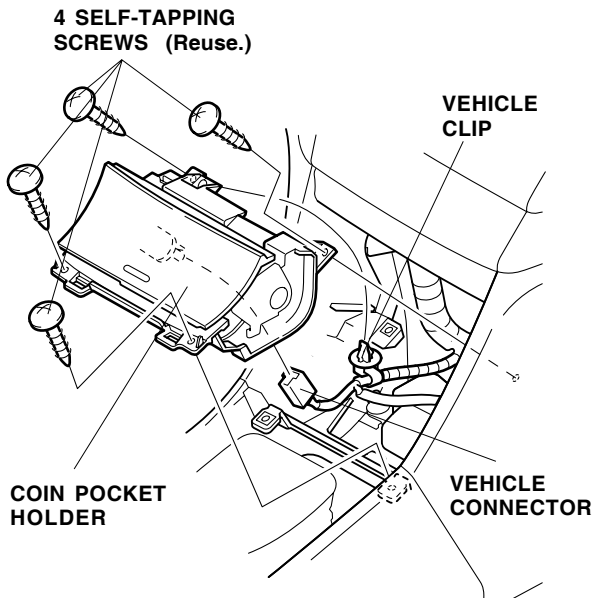




- Remove the coin pocket holder or ashtray holder.

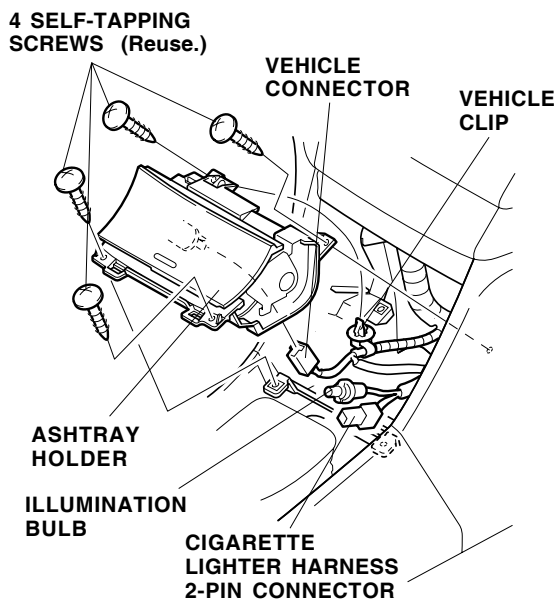
**With a Coin Pocket Holder:**

- Remove the four self-tapping screws.
- Gently pull out the coin pocket holder, unplug the vehicle connector and the vehicle clip, and remove the coin pocket holder.

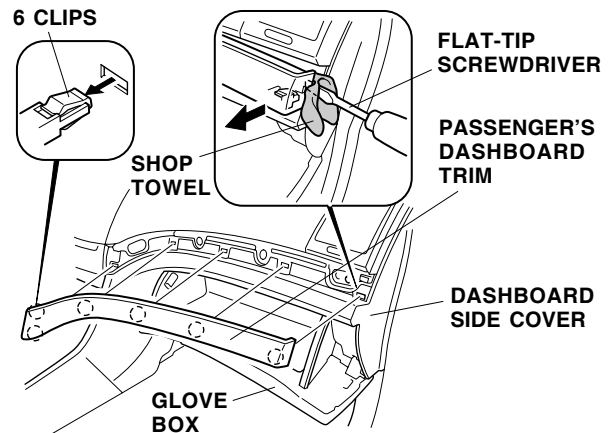


**With an Ashtray Holder:**

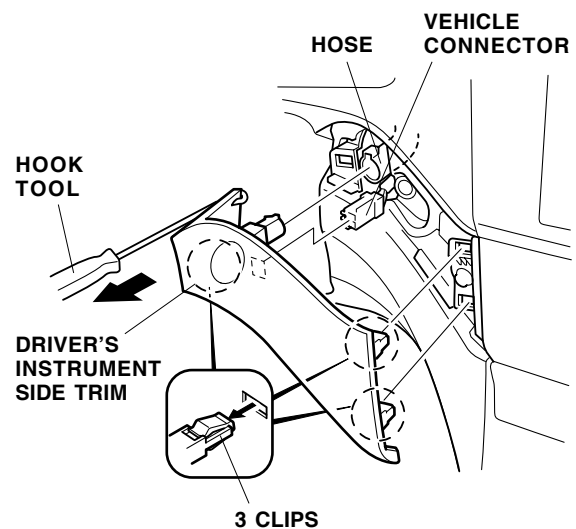
- Remove the four self-tapping screws.
- Gently pull out the ashtray holder, unplug the illumination bulb, the vehicle connector and the cigarette lighter harness 2-pin connector, and then remove the ashtray holder.



- Remove the passenger's dashboard trim:
  - Open the glove box.
  - Release one clip on the right side by inserting the end of a flat-tip screwdriver wrapped with the shop towel between the passenger's dashboard trim and the dashboard side cover.
  - Pull the passenger's dashboard trim out toward you to release the other five clips, and remove the passenger's dashboard trim.

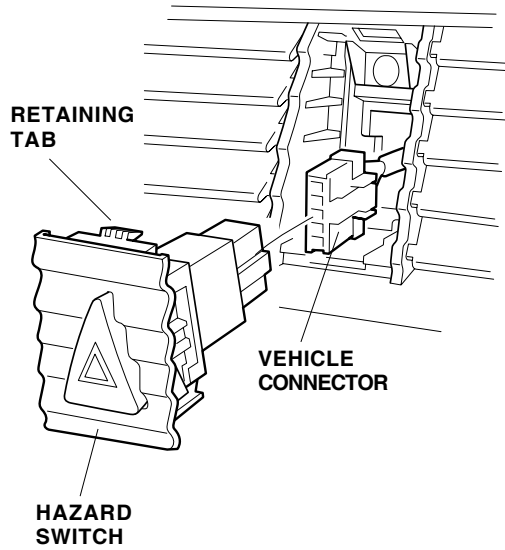


- Using a hook tool, pull out the clip closest to the steering column as shown.

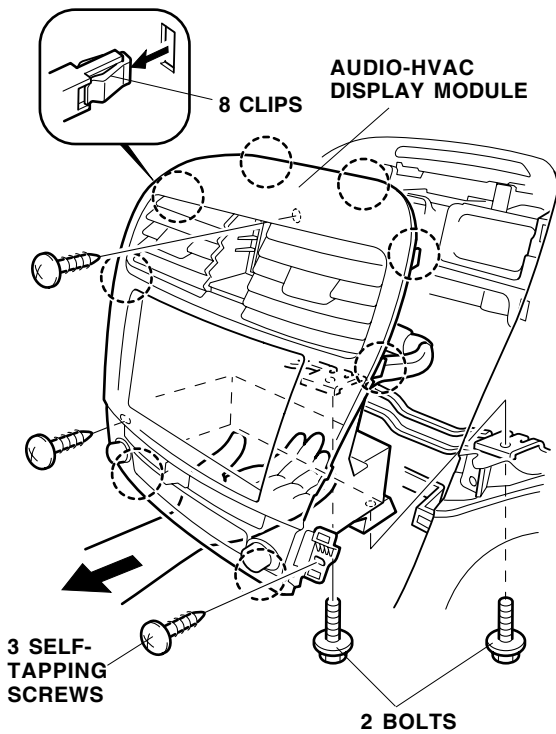


- Remove the driver's inner dashboard trim (remove two clips, unplug the vehicle connector and hose).

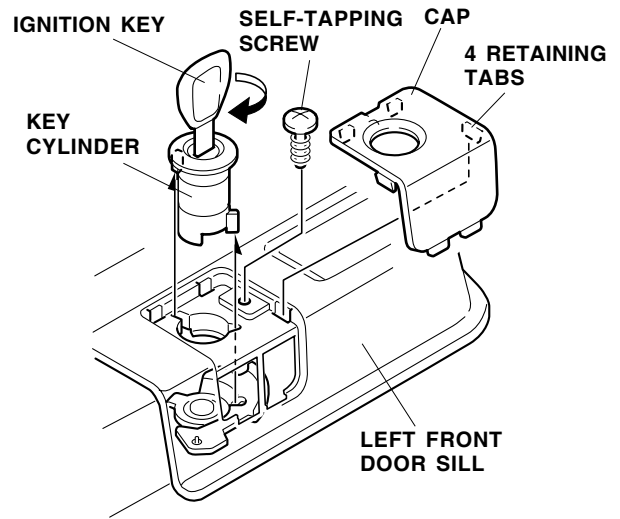
- Remove the hazard switch by releasing the retaining tab and unplugging the vehicle connector.



- Remove the AUDIO-HVAC display module (two bolts, three self-tapping screws, and pull the center panel out toward you to release the eight clips).

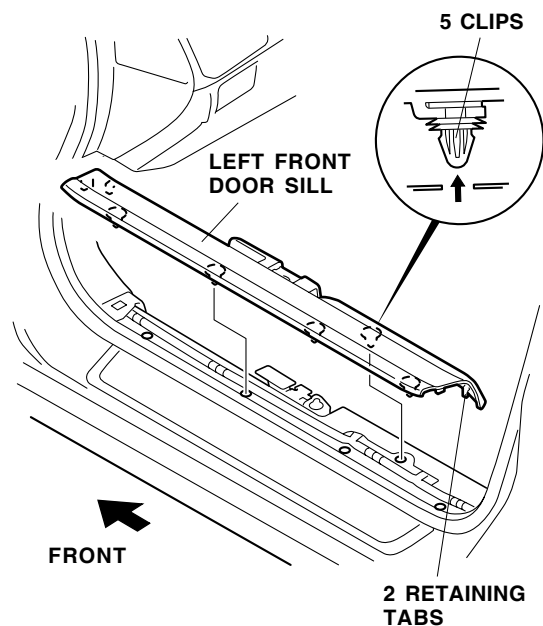


- Pry up on the four retaining tabs that fasten the cap to the left front door sill, and remove the cap.

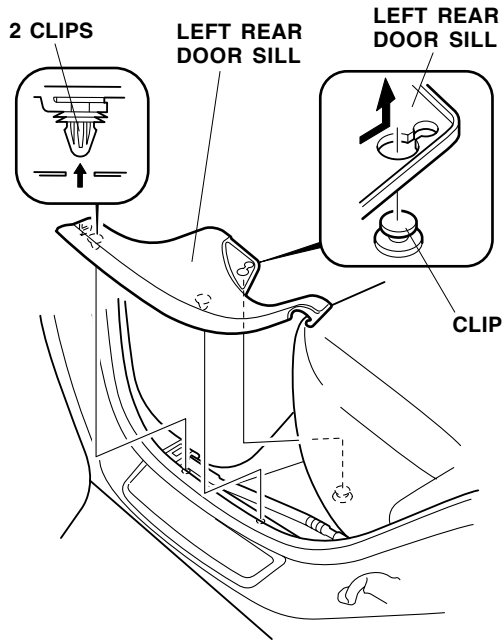


- Remove the self-tapping screw. Insert the ignition key into the key cylinder, and turn it clockwise until it will no longer turn. Using a flat-tip screwdriver, pry up on the key cylinder, and remove it from the left front door sill.

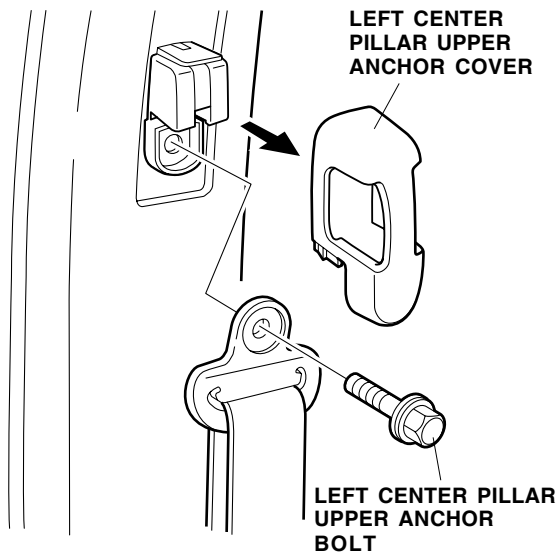
- Remove the left front door sill (five clips and two retaining tabs).



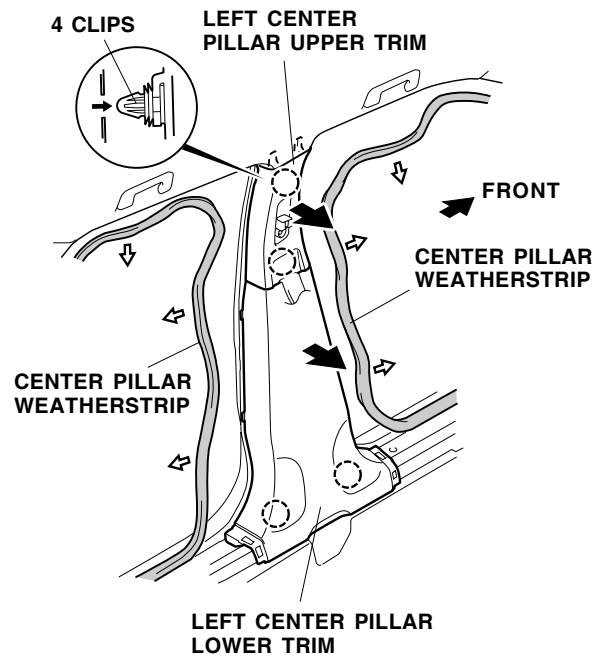
17. Remove the left rear door sill (three clips).



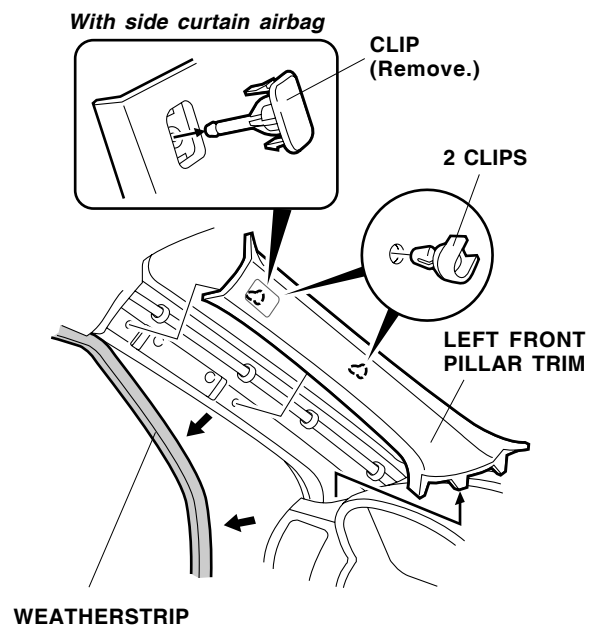
18. Release the left center pillar upper anchor cover (three tabs). Remove the left center pillar upper anchor bolt.



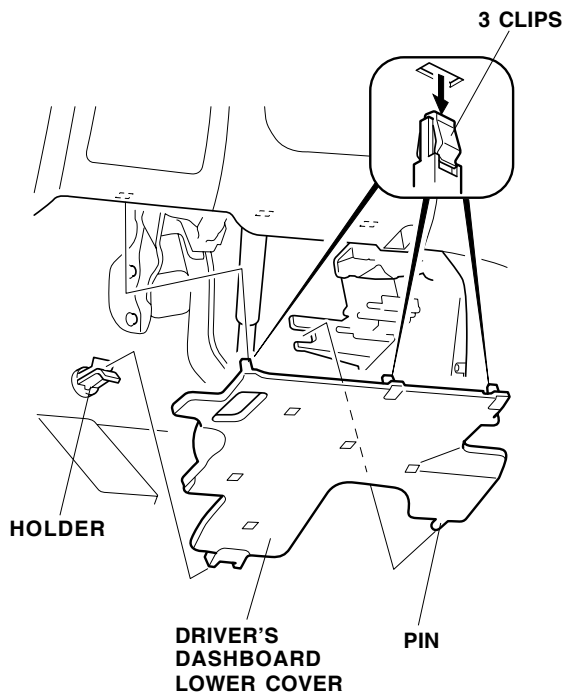
19. Remove the center pillar weatherstrip. Pull the left center pillar lower trim and the left center pillar upper trim out toward you to release the four clips, and remove the upper and lower trims.



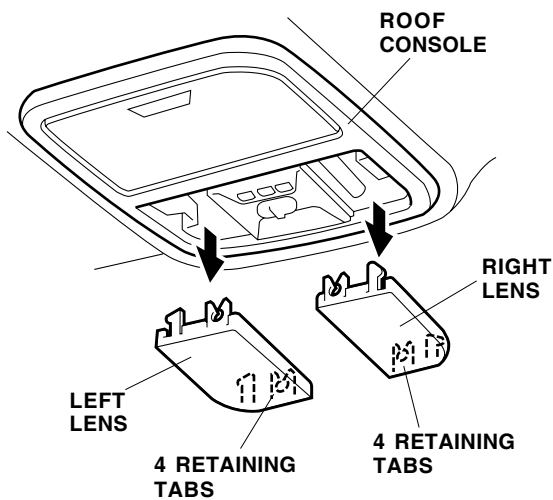
20. Remove the weatherstrip. Pull the left front pillar trim out toward you to release the two clips, and remove the left front pillar trim.



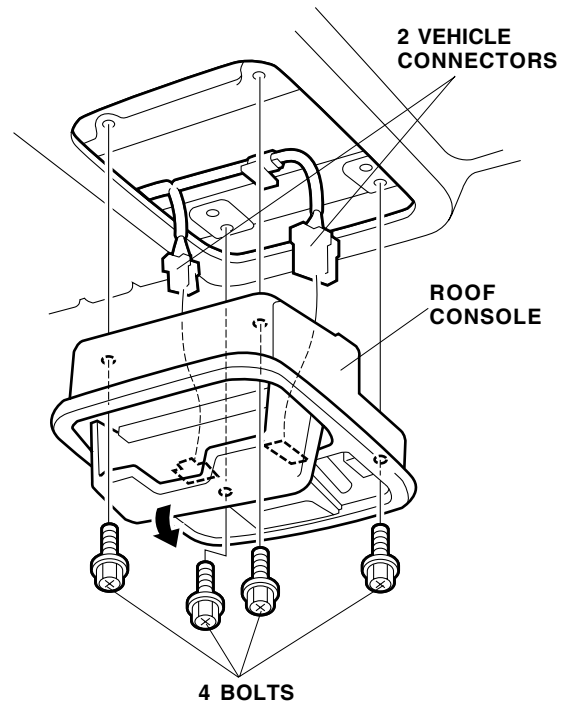
21. Remove the driver's dashboard lower cover (three clips, one pin, and one holder).



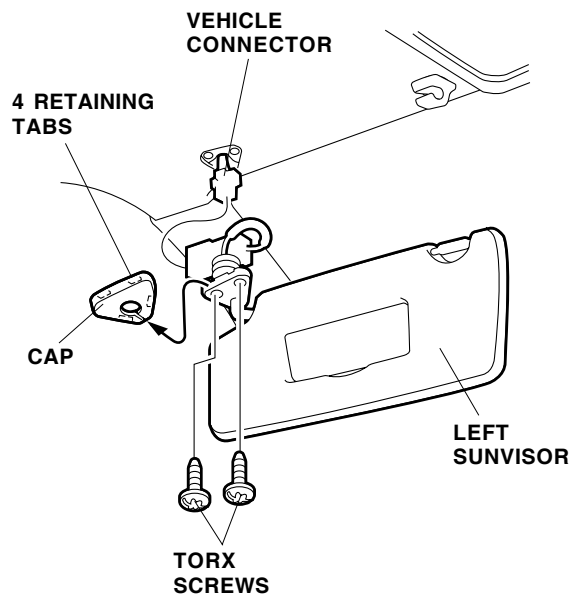
22. Remove the left and right lenses from the roof console (four retaining tabs).



23. Remove the four bolts that fasten the roof console. Remove the roof console by pulling it out toward you and unplugging the two vehicle connectors.

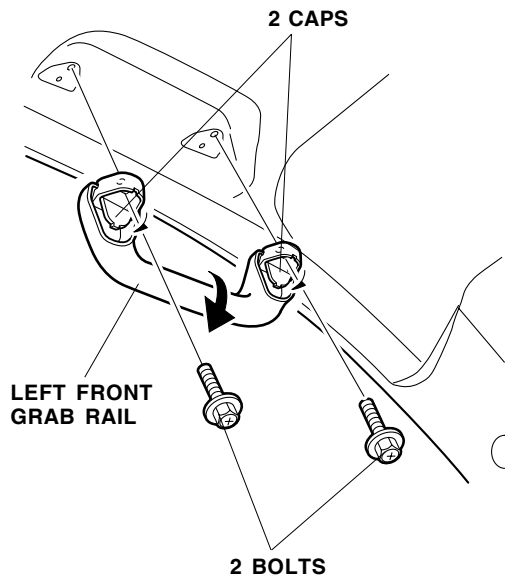


24. Remove the cap from the left sunvisor (four retaining tabs).

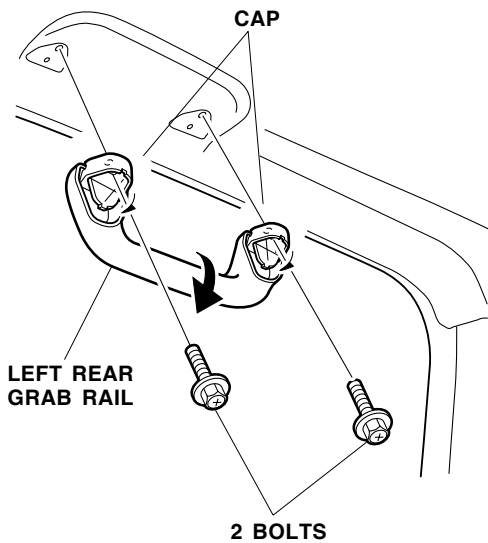


25. Remove the left sunvisor (two T25 torx screws), and unplug the connector.

26. Remove the two caps from the left front grab rail, and remove the grab rail (two bolts).

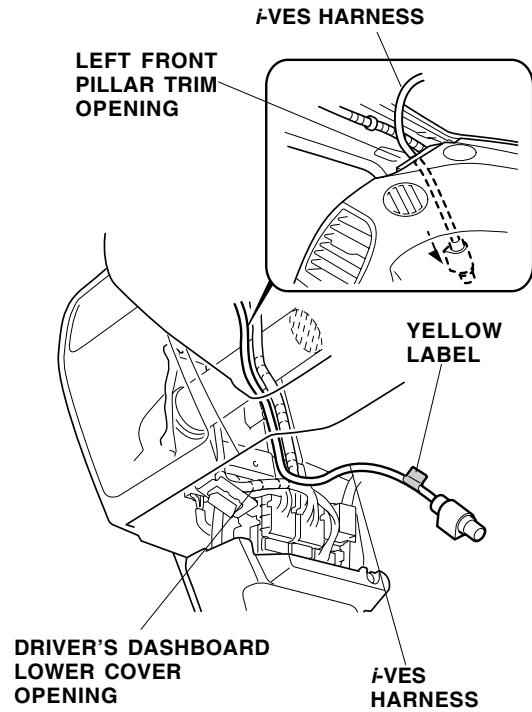


27. Remove the two caps from the left rear grab rail, and remove the grab rail (two bolts).

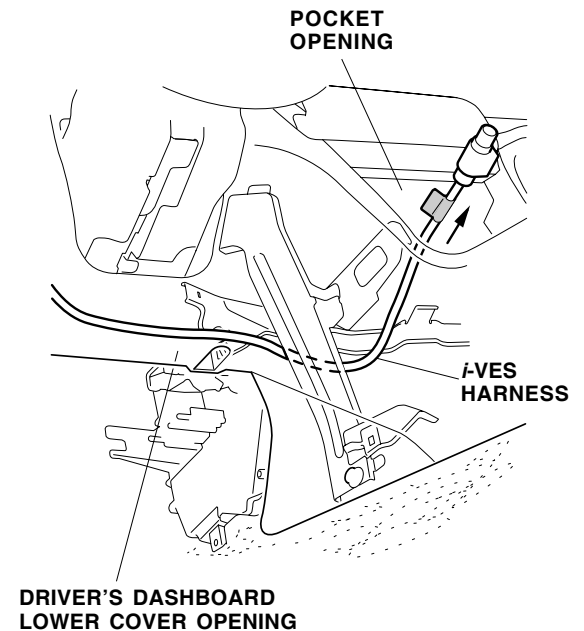


### Routing the *i*-VES Harness/Monitor Harness and Installing the Monitor Console

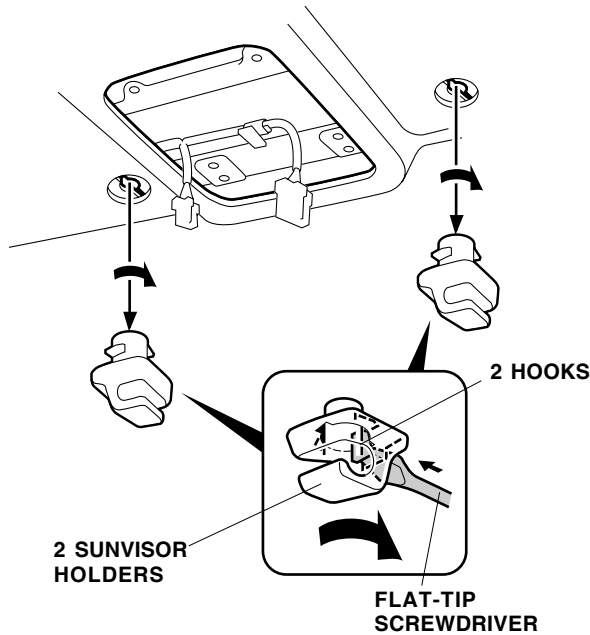
28. Route the *i*-VES harness (yellow label side) from the left front pillar trim opening to the driver's dashboard lower cover opening.



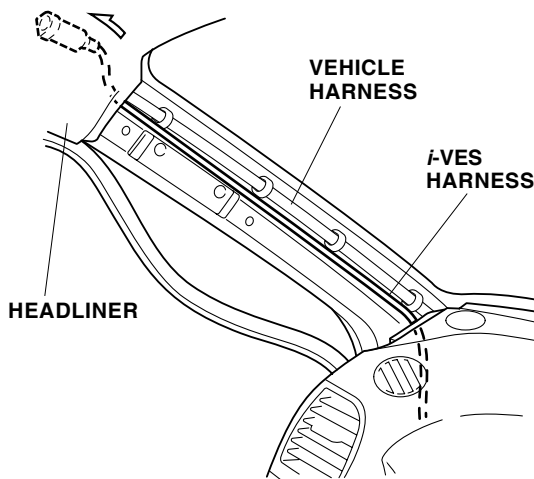
29. Continue routing the *i*-VES harness from the driver's dashboard lower cover opening to the pocket opening.



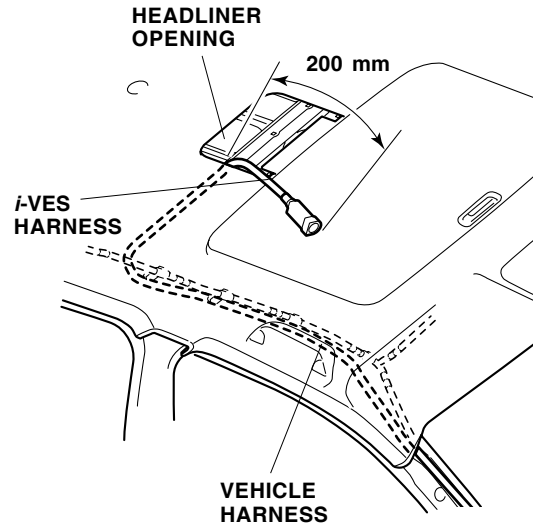
30. Using a flat-tip screwdriver, push the hooks, turn the holders 90°, and pull out to remove the sunvisor holders.



31. Route the *i*-VES harness up along the front pillar and under the headliner alongside the vehicle harness as shown.

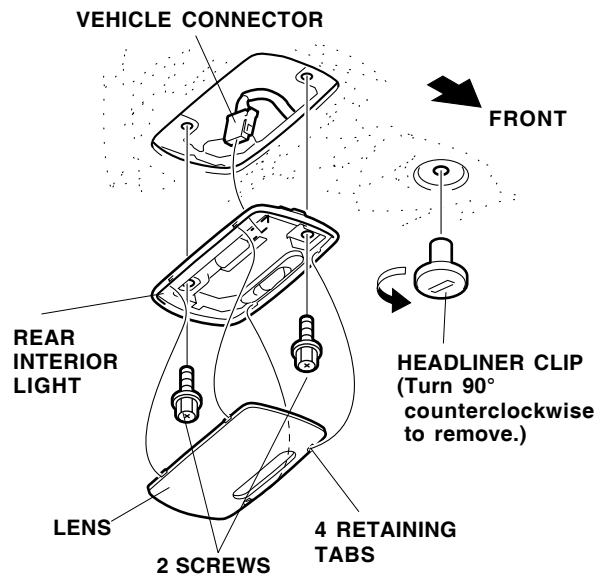


32. Continue routing the *i*-VES harness to the rear along the vehicle harness, and out of the headliner opening you made, so that the distance between the headliner opening and the *i*-VES harness terminal end is 200 mm.



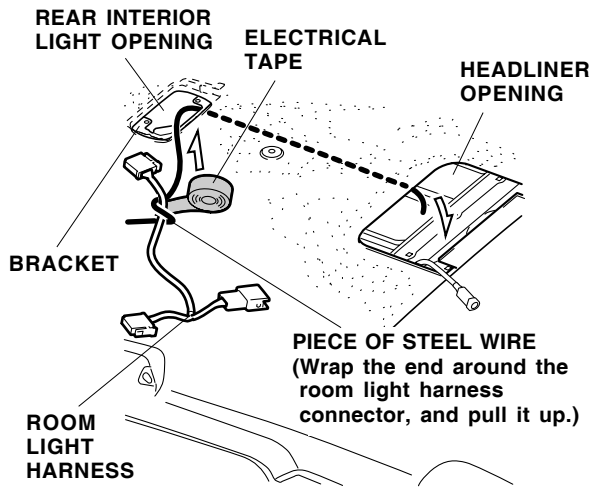
33. Remove the rear interior light:

- Remove the lens (four retaining tabs).
- Remove the two screws, lift out the rear interior light, unplug the connector, and remove the rear interior light.

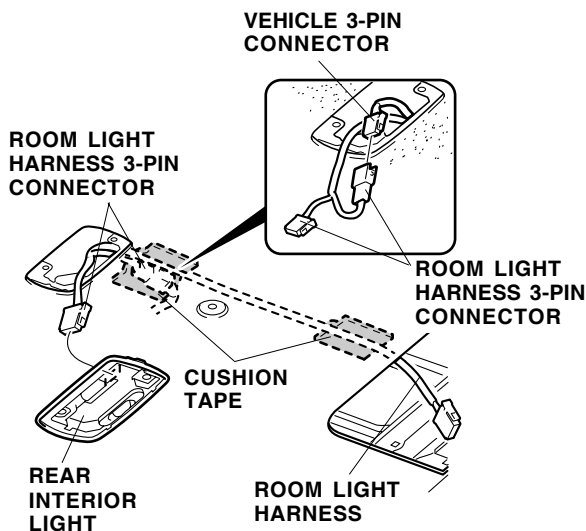


34. Remove the headliner clip by turning it 90° counterclockwise.

- Route a piece of steel wire through the hole in the rear interior light opening and out through the cutout made in the headliner in step 5.

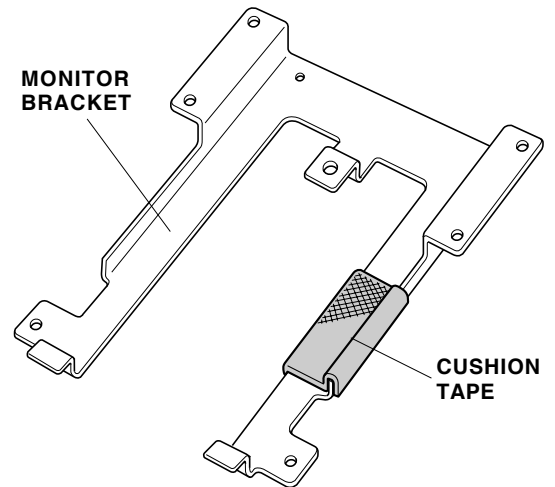


- Wrap the end of the steel wire around the room light harness connector, and secure it with electrical tape. Pull the room light harness up through the rear interior light opening, and out through the headliner opening.
- Plug the room light harness 3-pin connectors in between the rear interior light and the vehicle 3-pin connectors.

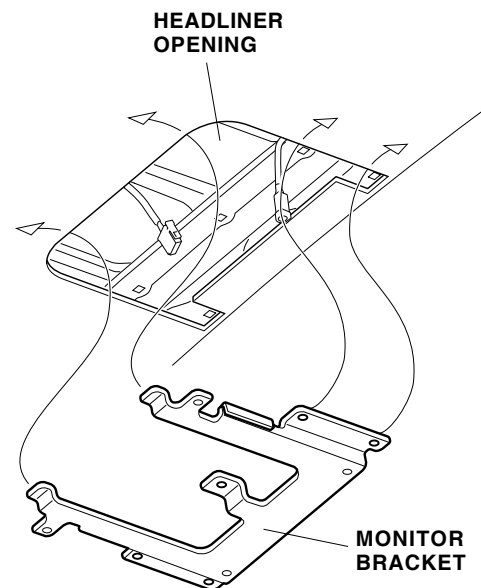


- Using isopropyl alcohol, clean the areas where the two cushion tapes will attach. Secure the room light harness to the headliner with two cushion tapes in the areas shown.

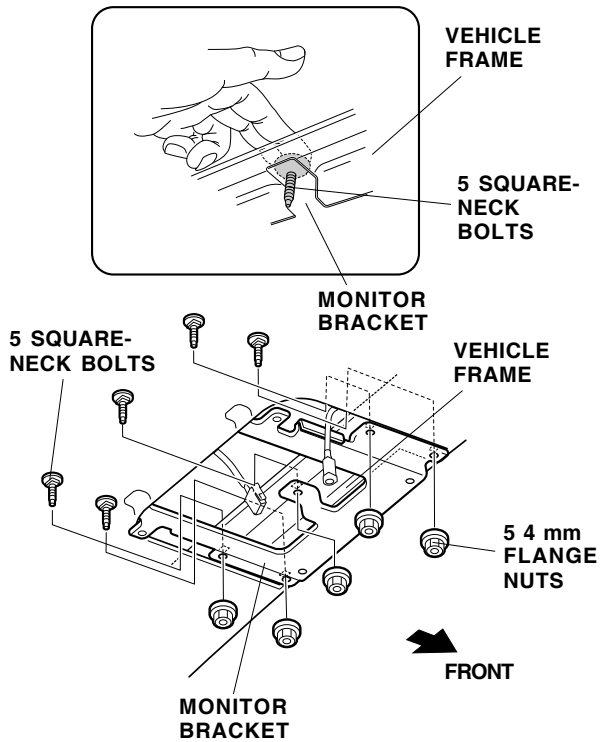
- Reinstall the rear interior light.
- Using the isopropyl alcohol on a shop towel, clean the area where the cushion tape will attach. Attach one cushion tape to the monitor bracket as shown.



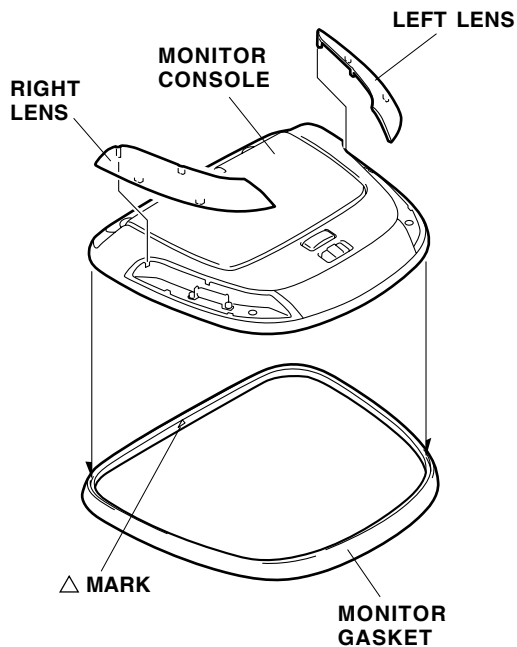
- Insert the monitor bracket into the headliner opening.



42. Install the monitor bracket to the vehicle frame with five square-neck bolts and five 4 mm flange nuts holding the square-neck bolts.

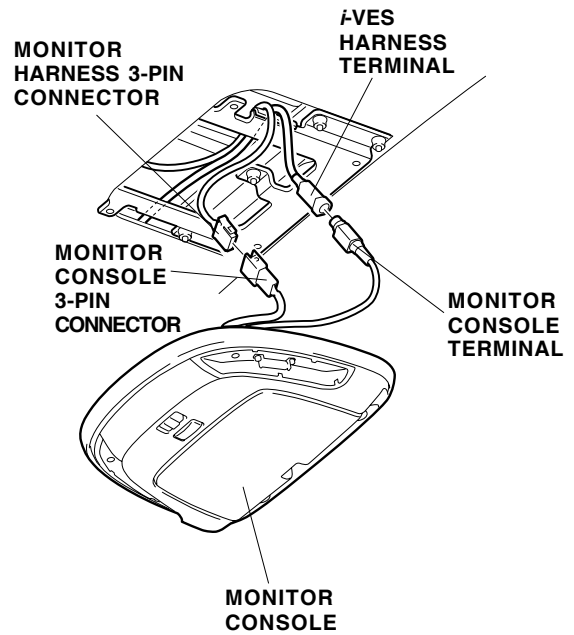


43. Remove the left and right lenses from the monitor console.

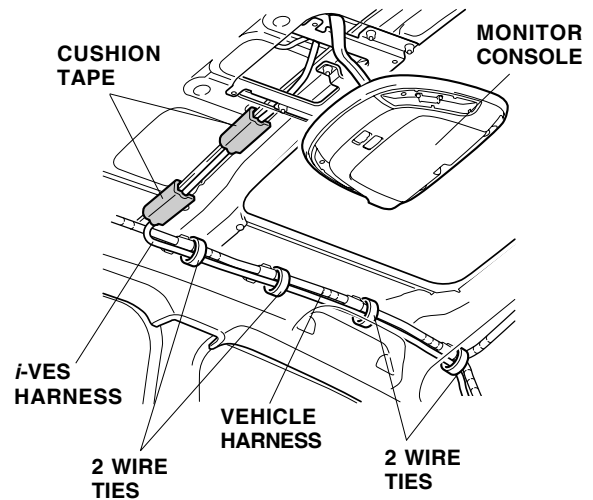


44. Install the monitor gasket on the console while aligning the △ mark of the monitor gasket with the △ mark of the monitor console.

45. Connect the room light harness 3-pin connector and the *i*-VES harness terminal to the monitor console 3-pin connector and monitor console terminal.

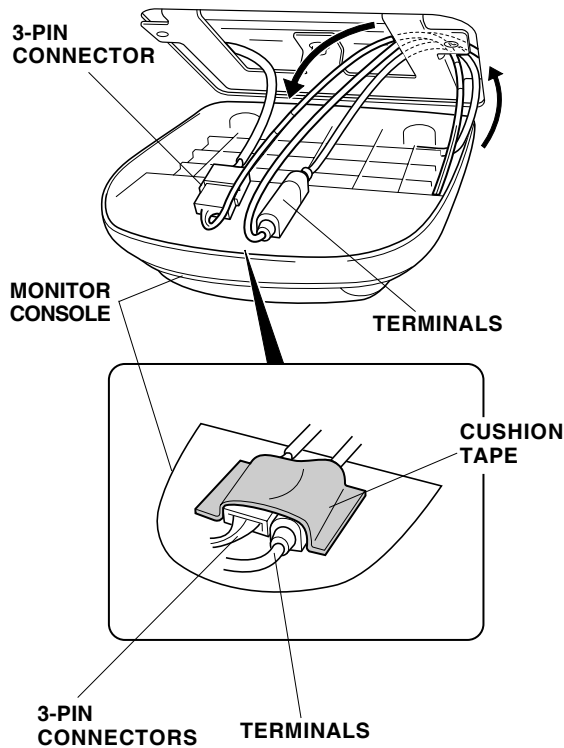


46. With an assistant holding the monitor console, clean the areas where the cushion tapes will attach. Secure the *i*-VES harness to the underside of the vehicle frame with two cushion tapes.

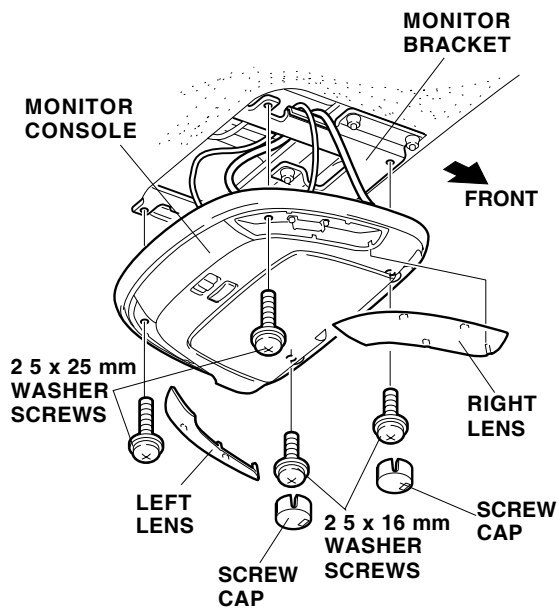


47. Secure the *i*-VES harness to the vehicle harness with four wire ties in the areas shown.

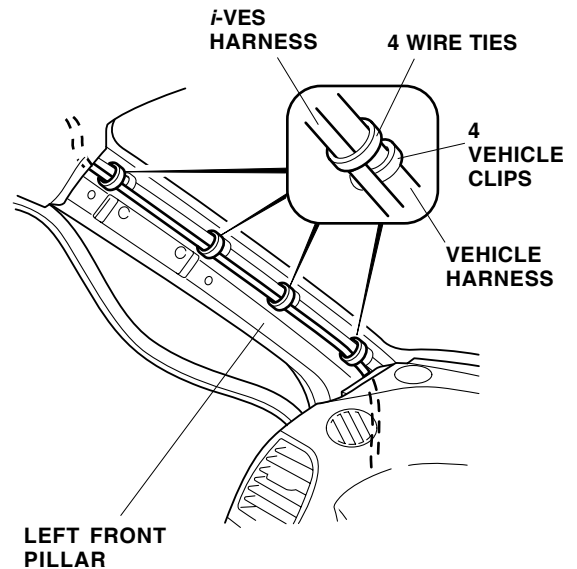
48. Holding the monitor console, secure the 3-pin connectors and terminals you plugged into the back of the monitor console as shown.



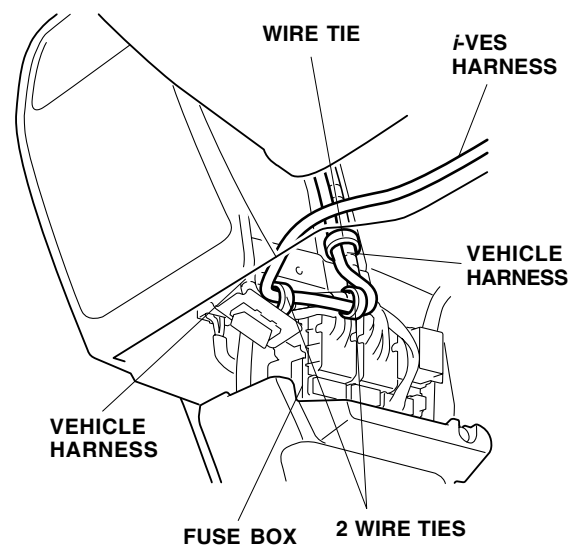
49. Position the monitor console on the monitor bracket, and install the two 5 x 16 mm washer-screws and the two 5 x 25 mm washer-screws. Do not pinch the *i*-VES harness and monitor harness between the monitor console and the monitor bracket. Install the two screw caps, and then reinstall the left and right lenses.



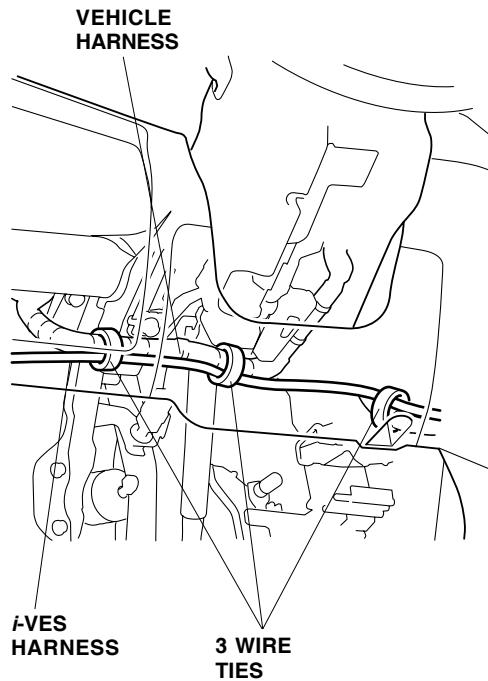
50. Along the front pillar, secure the *i*-VES harness to the vehicle harness with four wire ties.



51. Near the fuse box and under the driver's dashboard lower cover, secure the *i*-VES harness to the vehicle harness with three wire ties in the areas shown.



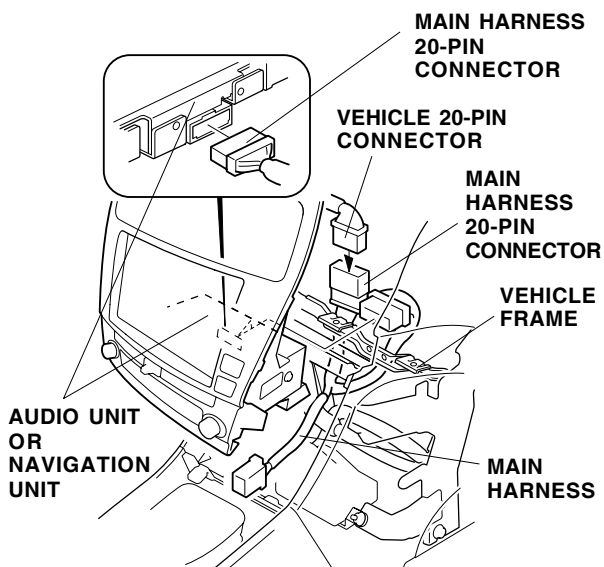
52. Secure the *i*-VES harness to the vehicle harness with three wire ties in the area shown.



### Installing the DVD Player

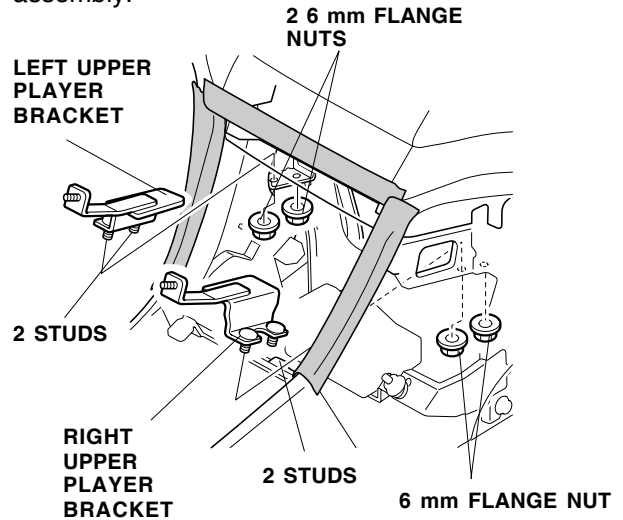
53. Plug in the main harness.

Unplug the vehicle 20-pin connector from the audio unit or the navigation unit. Route the main harness behind the vehicle frame as shown, and plug the main harness 20-pin connectors in between the vehicle 20-pin connector and the audio unit or the navigation unit.

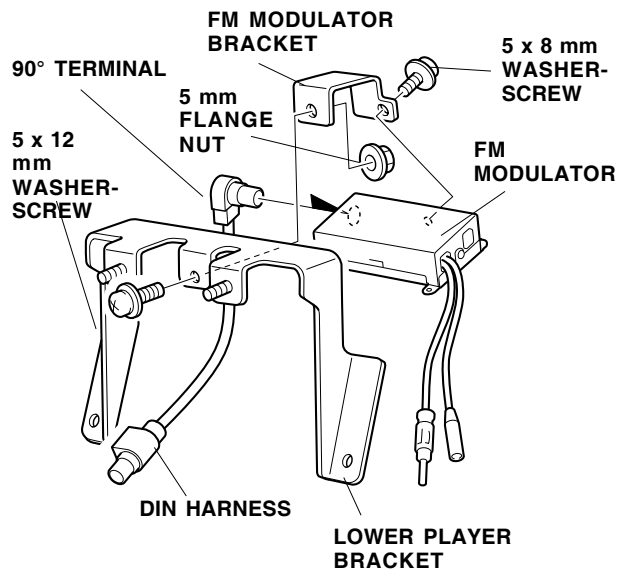


54. Apply masking tape as shown.

NOTE: Failure to attach masking tape to protect the bottom edge of the AUDIO-HVAC display module can result in damage. The AUDIO-HVAC display module is available only as a complete assembly.

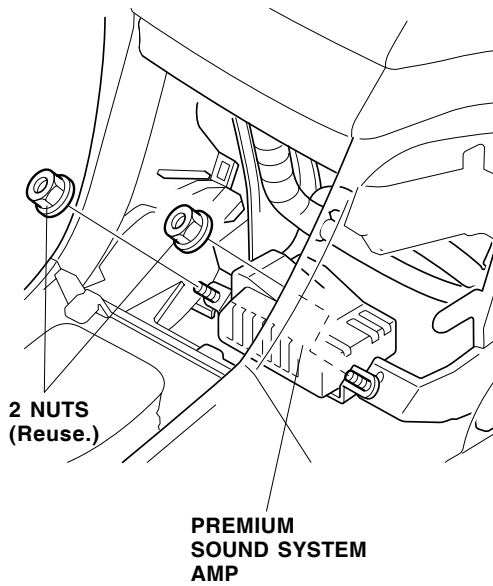


55. Insert the studs from the right and left upper player brackets into the holes in the vehicle frame, and install one 6 mm flange nut to each stud. Push the player brackets outward, and tighten the flange nuts.
56. Plug the DIN harness 90° terminal into the FM modulator.

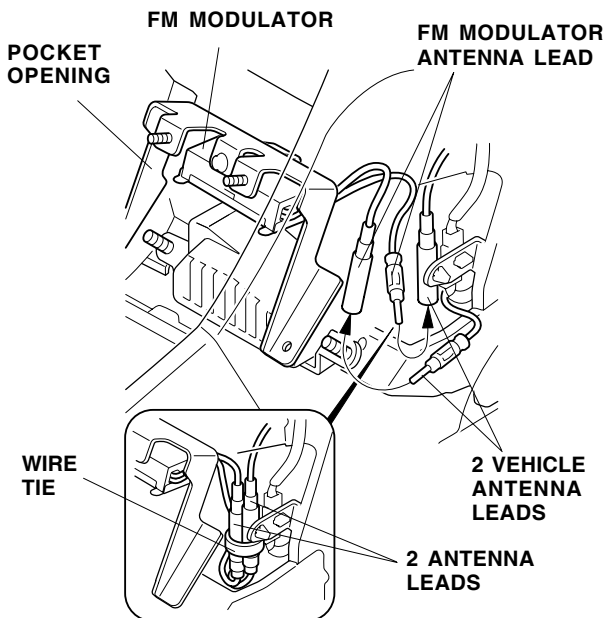


57. Attach the FM modulator bracket to the lower player bracket with one 5 x 12 mm washer-screw and one 5 mm flange nut.
58. Attach the FM modulator to the FM modulator bracket with one 5 x 8 mm washer-screw.

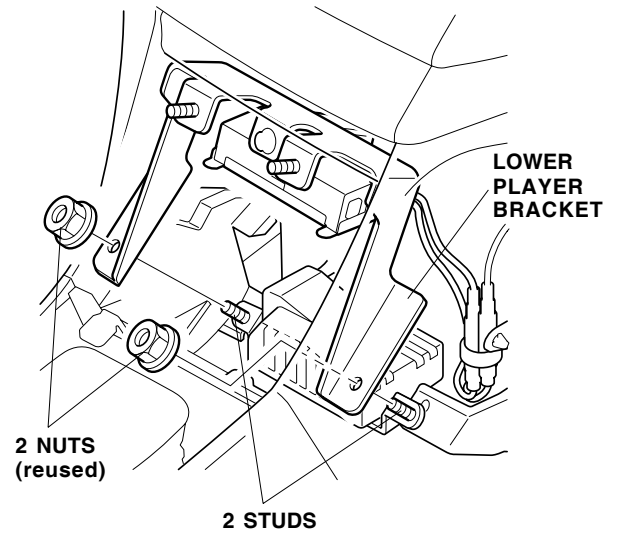
59. Remove the two nuts from the premium sound system amp.



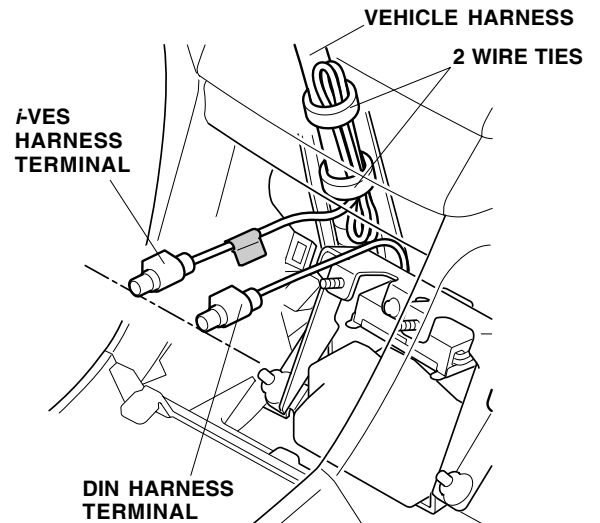
60. On the right side of the pocket opening, unplug the vehicle antenna leads and plug them into the FM modulator antenna lead. Plug the FM modulator antenna lead into the vehicle antenna lead. Secure the antenna leads you plugged in with one wire tie.



61. Insert the studs into the holes in the lower player bracket, then install the lower player bracket with the two nuts removed in step 59.

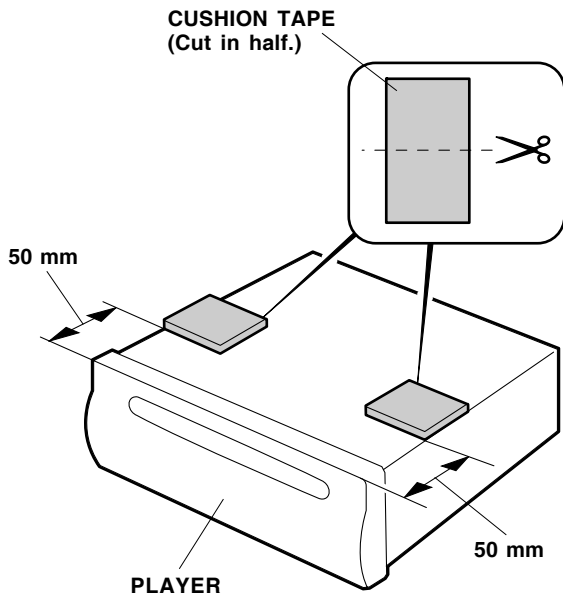


62. Loop the excess antenna leads, and secure the antenna leads with two wire ties.

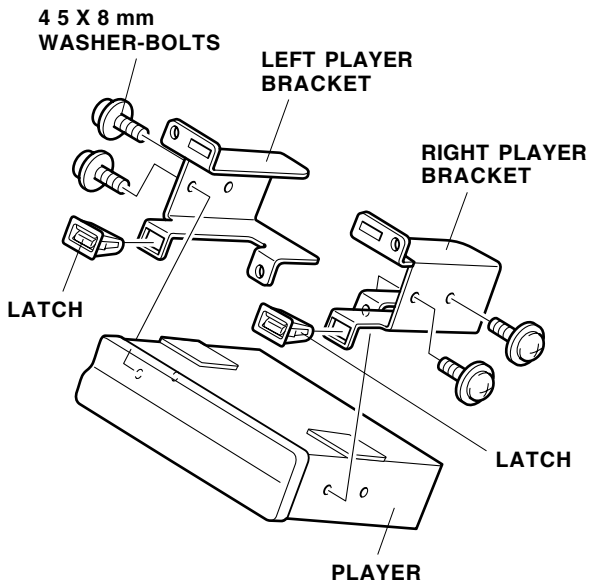


63. Align the end of the *i*-VES harness terminal with the end of the DIN harness terminal as shown; loop the excess *i*-VES harnesses, and secure the loop to the vehicle harness with two wire ties.

64. Using scissors, cut the cushion tape in half, and attach the two halves of the cushion tape to the player in the areas shown.

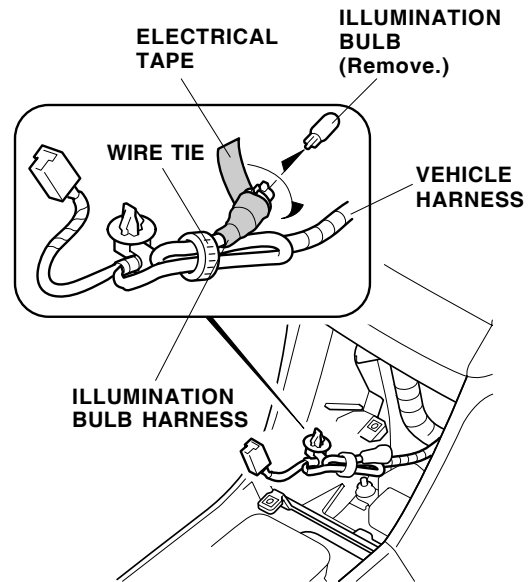


65. Install one latch to each of the right and left player brackets.

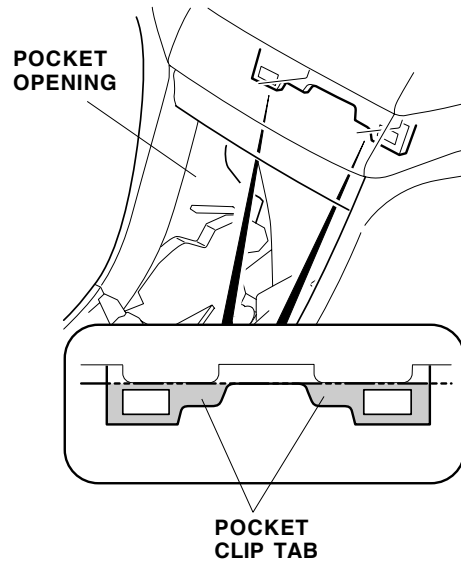


66. Position the player on the right and left player brackets, and install four 5 x 8 mm washer-bolts.

67. Remove the illumination bulb, and attach the bulb harness with electrical tape as shown. Loop the excess illumination bulb harness, and secure it to the vehicle harness with one wire tie.

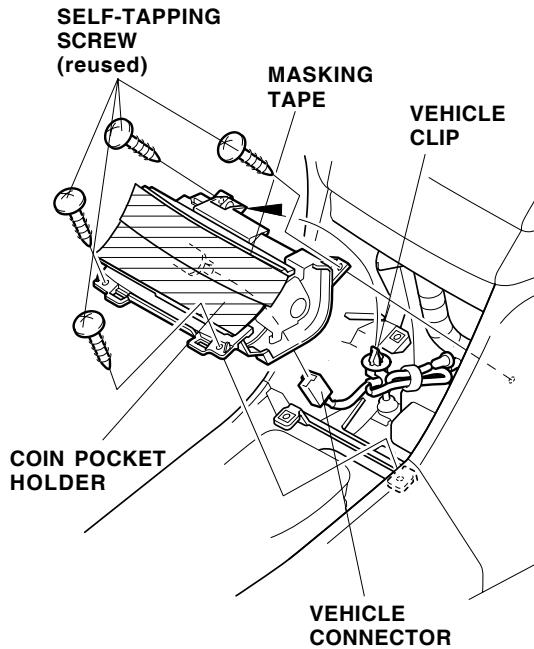


68. Cut off the pocket clip tabs with the diagonal cutters as shown.

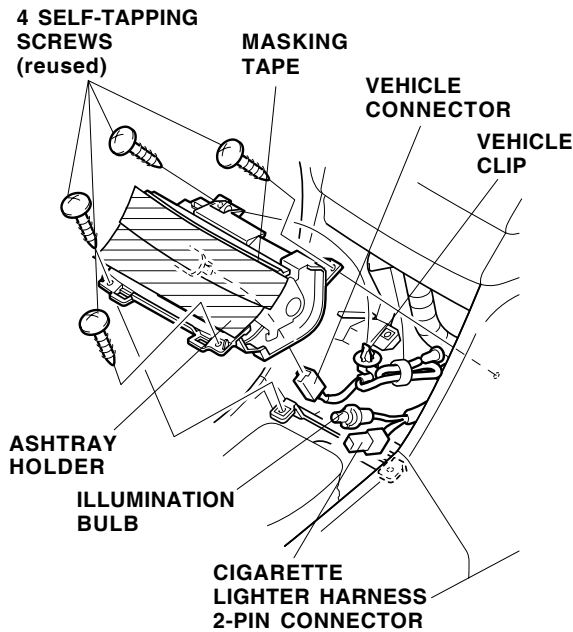


69. Apply masking tape in the area shown. Reinstall the coin pocket holder or ashtray holder.

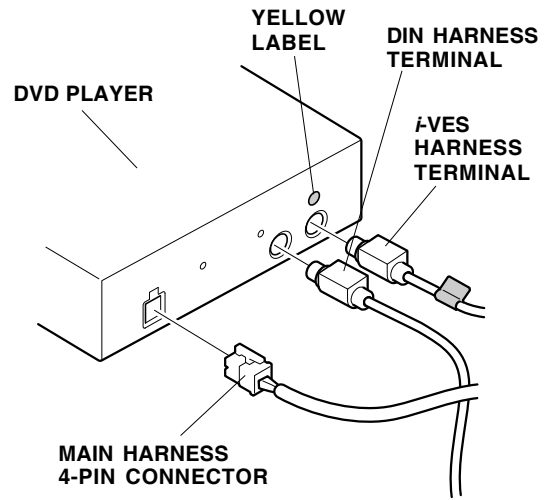
**With a Coin Pocket Holder:**



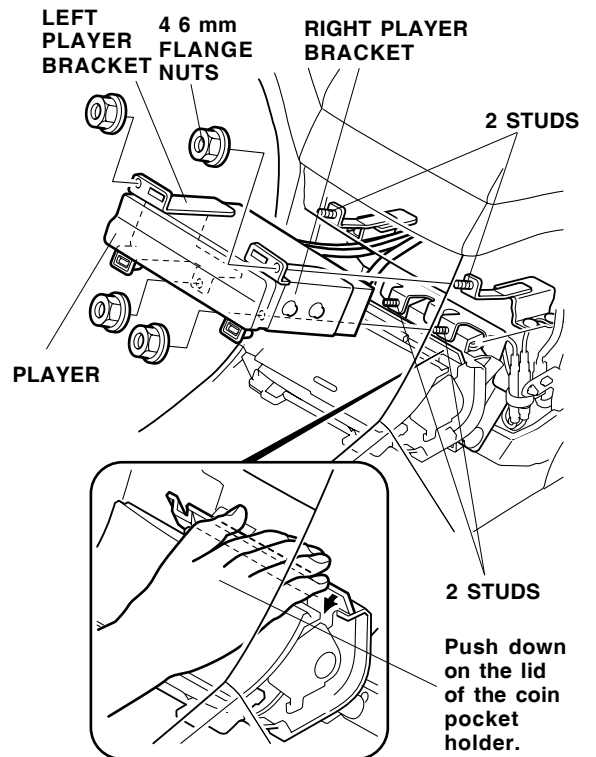
**With an Ashtray Holder:**



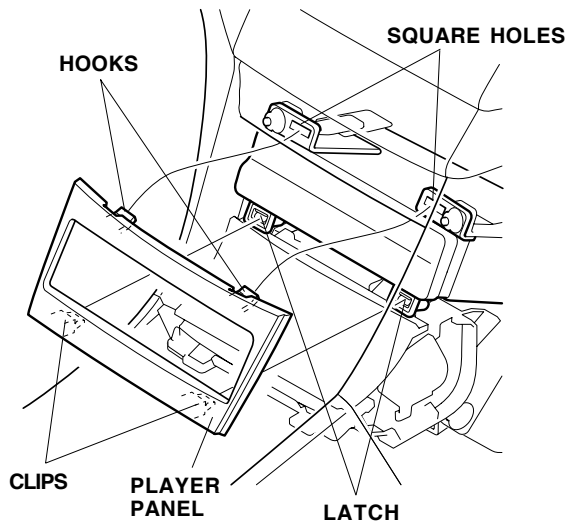
70. Plug the main harness 4-pin connector, the DIN harness terminal, and the *i*-VES harness terminal into the rear of the DVD player (plug the *i*-VES harness terminal into the yellow label position).



71. Insert the studs of the upper and lower player brackets into the holes in the right and left player brackets while pushing down on the lid of the coin pocket holder as shown; then install one 6 mm flange nut on the end of each stud, and tighten.



72. Insert two player panel hooks into the square holes of the right and left player brackets, then insert the two player panel clips into the latches.



73. Remove the masking tape applied in steps 54 and 69.
74. Check that all wire harnesses are routed properly, and all connectors are plugged in.
75. Reconnect the negative cable to the battery.
76. Enter the client's navigation system, if equipped, radio anti-theft codes, and reset the radio station presets.
77. Set the clock.
78. Check the operation of the *in-vehicle* entertainment system according to the Owner's Manual supplied with the kit.
79. Put the Owner's Manual for the in-vehicle entertainment system in the glove box with the vehicle owner's manual.
80. Reinstall all removed parts.