



INSTALLATION INSTRUCTIONS

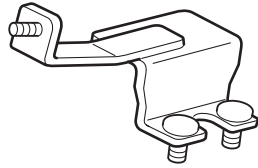
Accessory
**CASSETTE/MULTI-MEDIA
PLAYER ATTACHMENT**

Application
2008 TSX

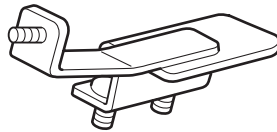
Publications No.
BII 37179
Issue Date
JUNE 2007

PARTS LIST

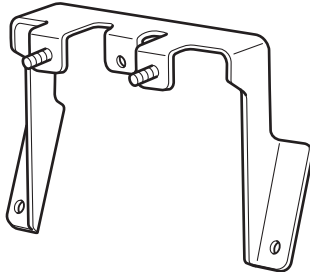
Right upper player bracket



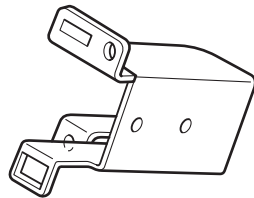
Left upper player bracket



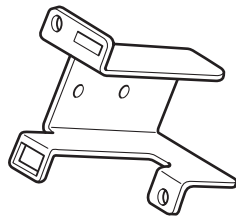
Lower player bracket



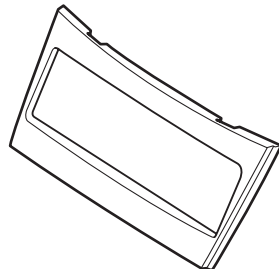
Right player bracket



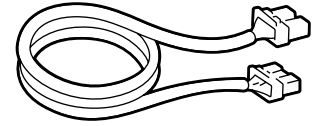
Left player bracket



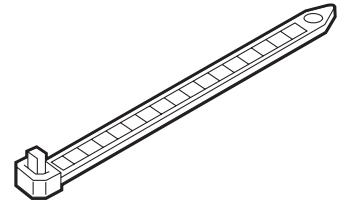
Player panel



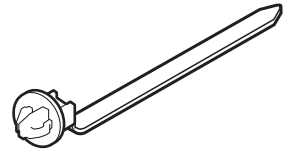
Bus cable



2 Wire ties



Wire tie with clip



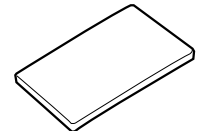
8 Flange nuts, 6 mm



2 Latches

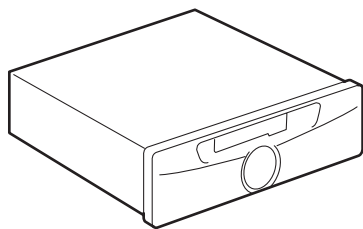


Cushion tape

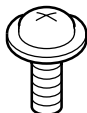


Cassette Player (sold separately):
P/N 08A03-5E2-000

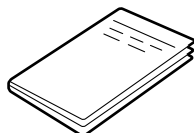
Cassette player



4 Washer-screws, 5 x 8 mm

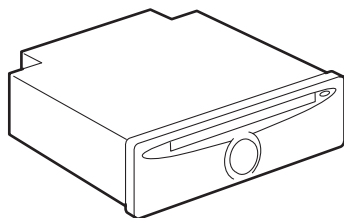


Owner's Manual



Multi-media Player (sold separately):
P/N 08A06-4E2-200

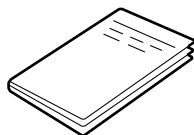
Multi media player



4 Washer-bolts, 5 x 8 mm



Owner's Manual



TOOLS AND SUPPLIES REQUIRED

- Phillips screwdriver
- Flat-tip screwdriver
- 10 mm Combination wrench
- Ratchet
- 10 mm Socket
- Utility knife
- Shop towel
- Tape measure
- Electrical tape
- Diagonal cutters

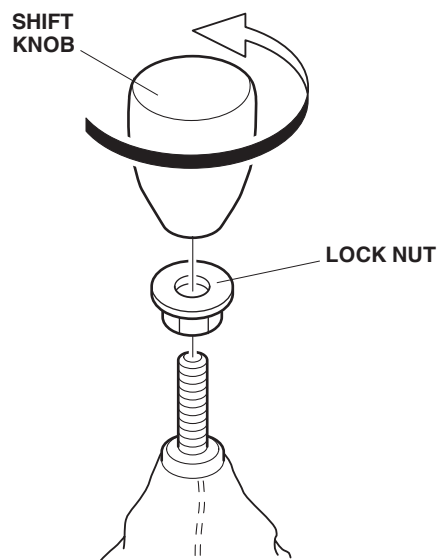
INSTALLATION

Client Information: The information in this installation instruction is intended for use only by skilled technicians who have the proper tools, equipment, and training to correctly and safely add equipment to your vehicle. These procedures should not be attempted by "do-it-yourselfers."

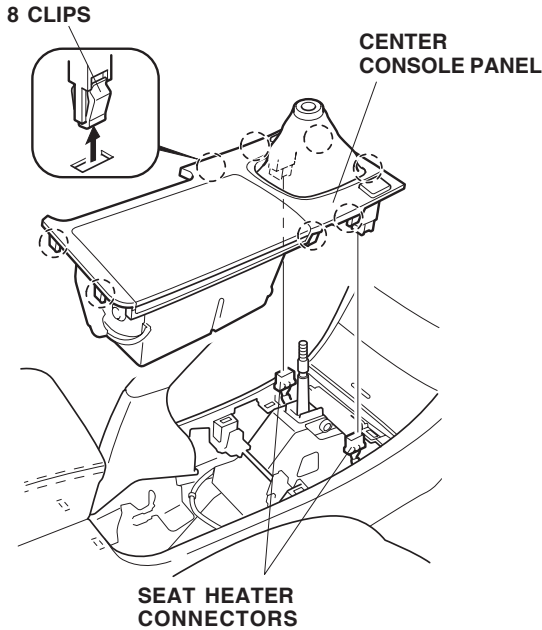
1. Make sure you have the anti-theft code for the radio, then write down the frequencies for the preset buttons.
2. Disconnect the negative cable from the battery.
3. Remove the center console panel.

M/T Model

- Remove the shift knob by turning it counterclockwise.
- Remove the lock nut.

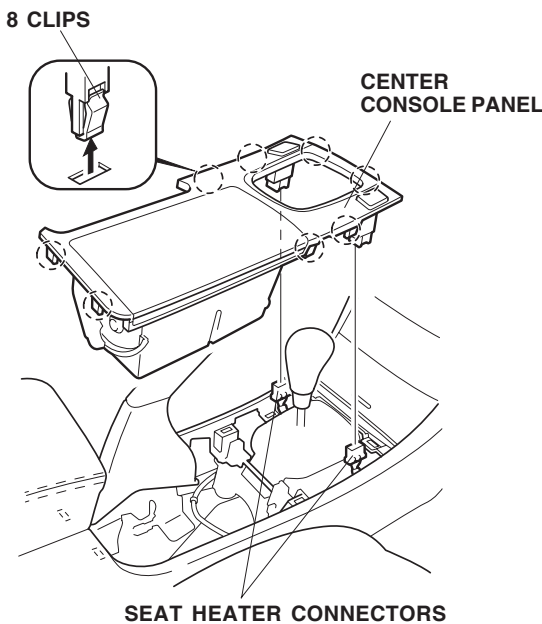


- Gently pry up on the center console panel to release the eight clips.
- Unplug the two seat heater connectors (if equipped), and remove the center console panel.

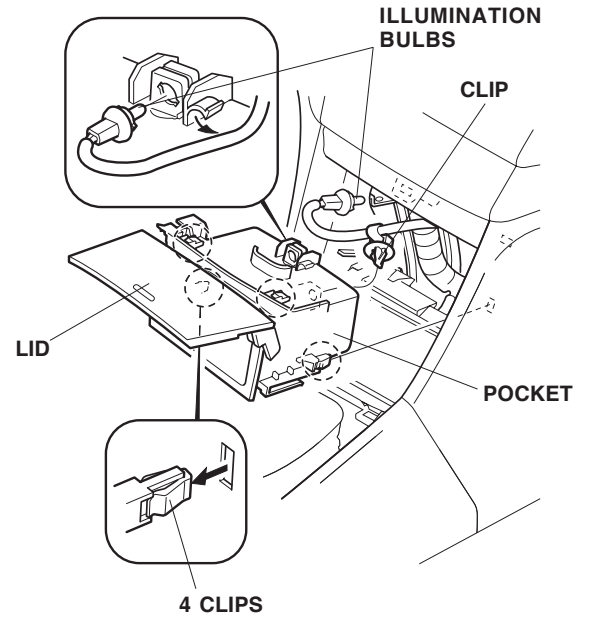


A/T Model:

- Gently pry up on the center console panel to release the eight clips.
- Unplug the two seat heater connectors (if equipped), and remove the center console panel.



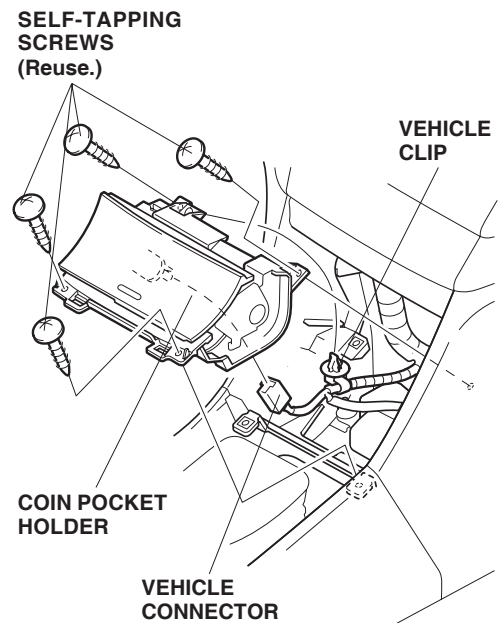
4. Open the pocket lid. Pull the pocket out toward you to release the four clips, unplug the illumination bulb, unclip the illumination bulb harness from the pocket, and remove the pocket. Take care not to damage the illumination bulb.



5. Remove the coin pocket holder or ashtray holder.

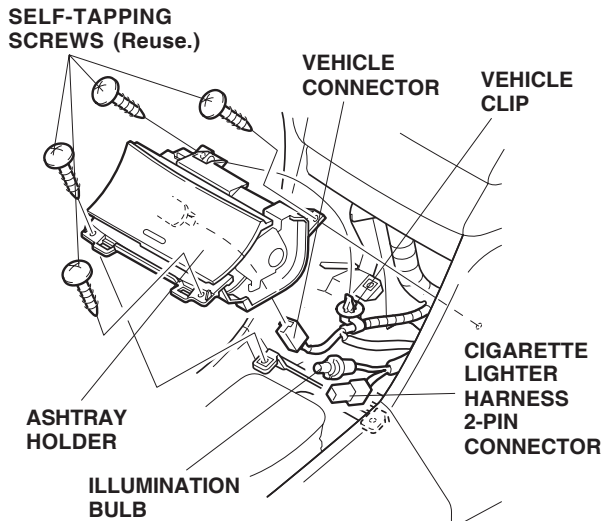
With the Coin Pocket Holder:

- Remove the four self-tapping screws.
- Gently pull out the coin pocket holder, unplug the vehicle connector and vehicle clip, and remove the coin pocket holder.

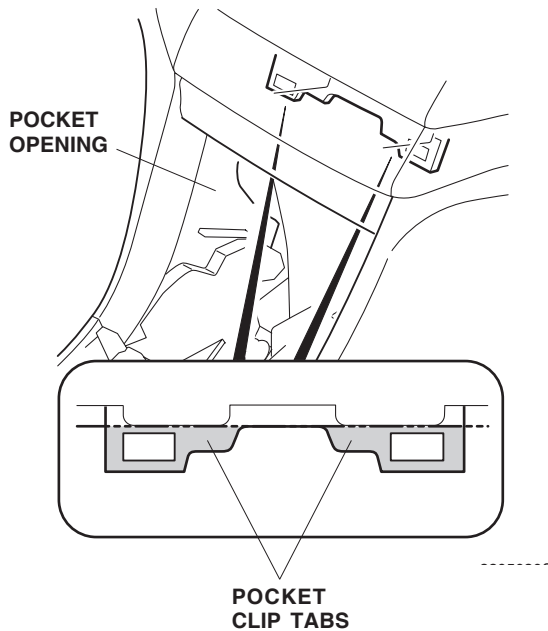


With the Ashtray Holder

- Remove the four self-tapping screws.
- Gently pull out the ashtray holder, unplug the illumination bulb, vehicle connector, and cigarette lighter harness 2-pin connector, then remove the ashtray holder.



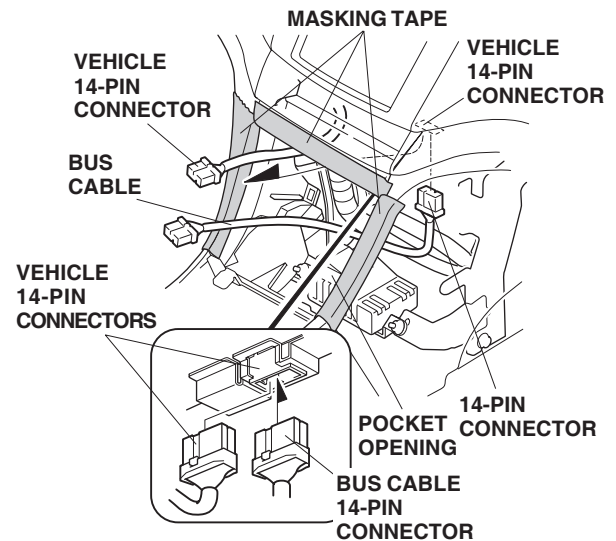
6. Using diagonal cutters, cut off the pocket clips as shown.



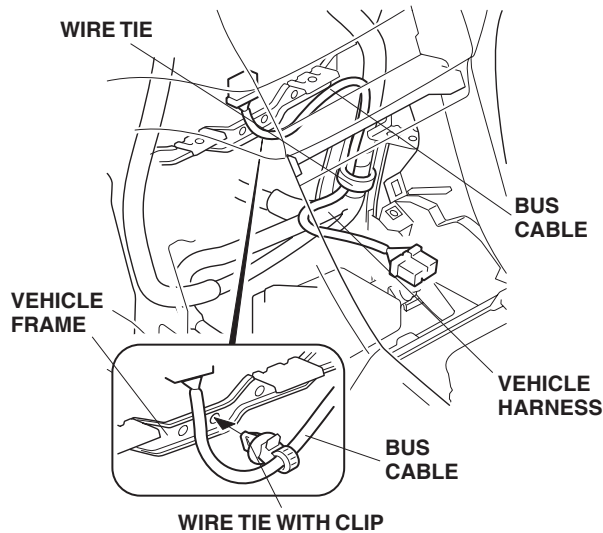
Installing the Player:

7. Plug in the bus cable.
- Apply masking tape as shown.
 - At the pocket opening, unplug the vehicle 14-pin connector, and plug the bus cable 14-pin connector into the vehicle 14-pin connector.

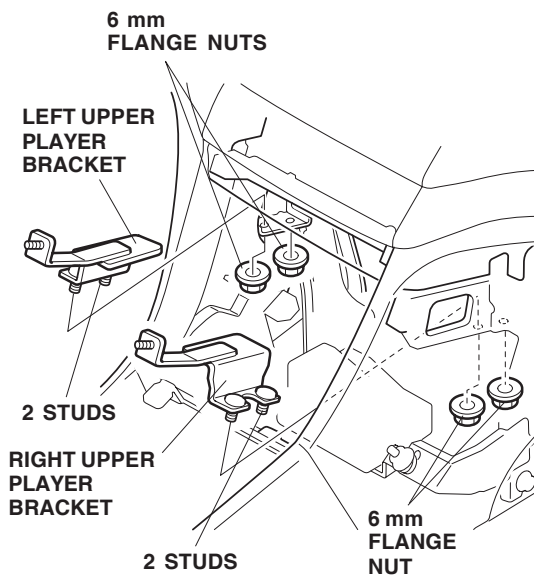
NOTE: It is very important to protect the bottom edge of the AUDIO-HVAC display module. The AUDIO-HVAC display module is only available as a complete assembly.



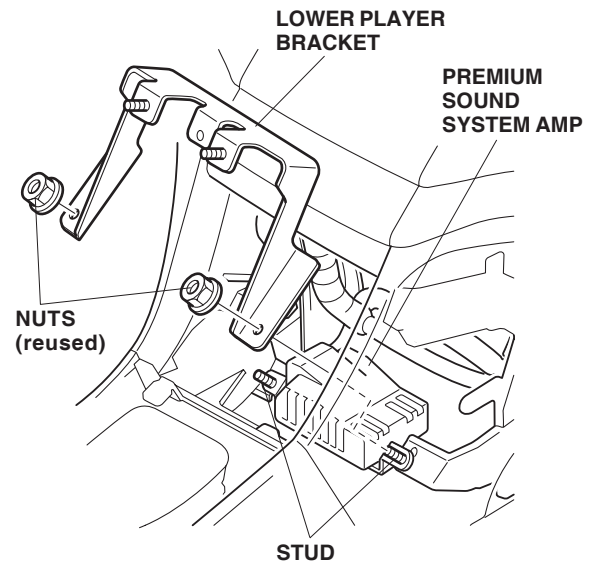
- Wrap one wire tie with clip around the bus cable, and push the wire tie with clip into the hole in the vehicle frame.



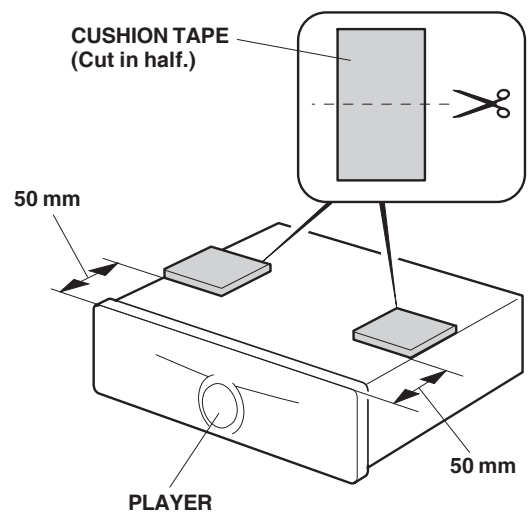
- Secure the bus cable to the vehicle harness with one wire tie.
- Insert the studs from the right and left upper player brackets into the holes in the vehicle frame, and install one 6 mm flange nut to each stud. Push the player brackets outward, and tighten the flange nuts.



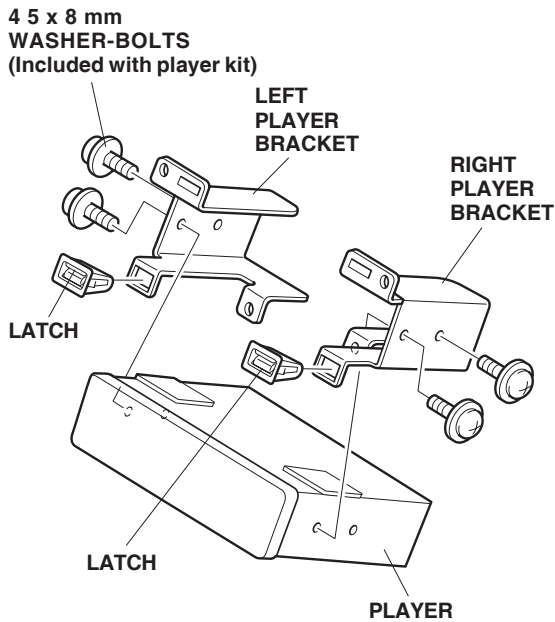
- Remove the two nuts from the premium sound system amp.



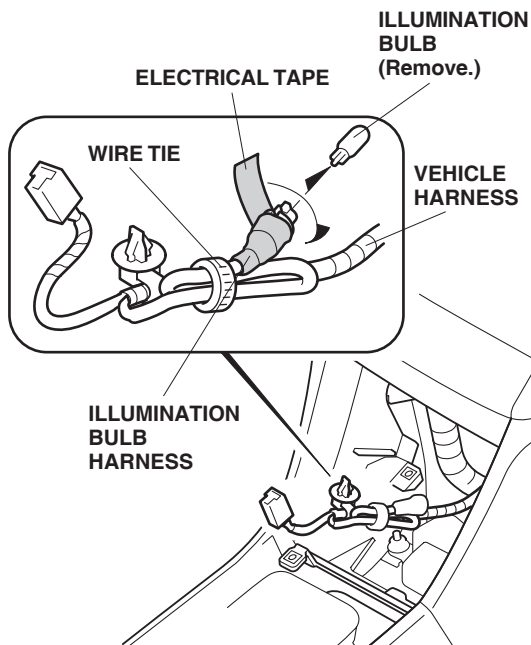
- Insert the studs into the holes in the lower player bracket, then install the lower player bracket with two nuts removed in step 11, and tighten.
- Using scissors, cut the cushion tape in half, and attach the cushion tapes to the player in the area shown.



- Install one latch to each of the right and left player bracket in the areas shown.

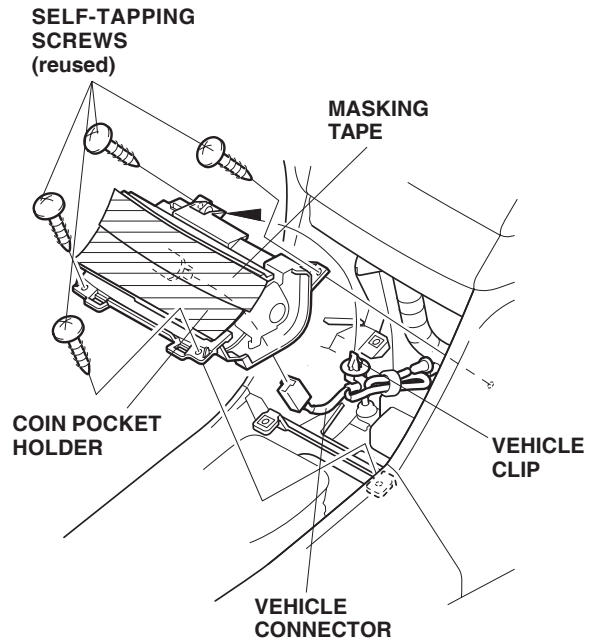


- Position the player on the right and left player bracket, and install the four 5 x 8 mm washer-bolts included with the player kit.
- Remove the illumination bulb, and attach the electrical tape as shown. Loop any excess illumination bulb harness, and secure it to the vehicle harness with one wire tie as shown.

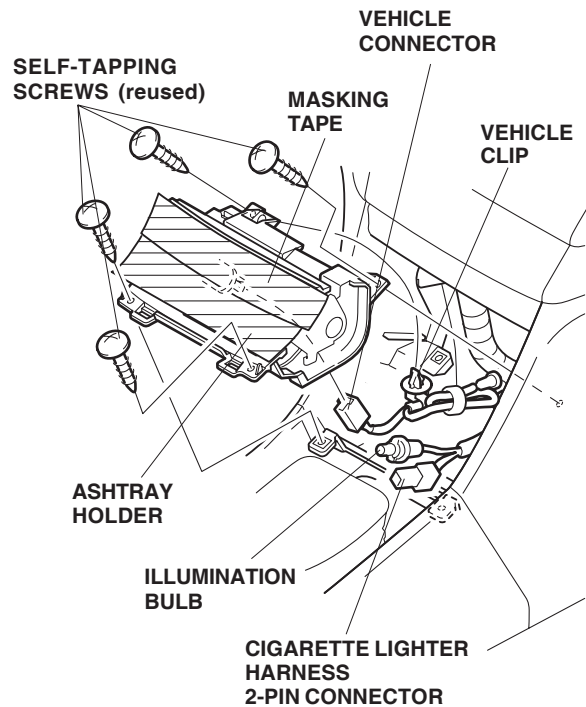


- Apply masking tape as shown. Reinstall the coin pocket holder or ashtray holder.

With the Coin Pocket Holder:

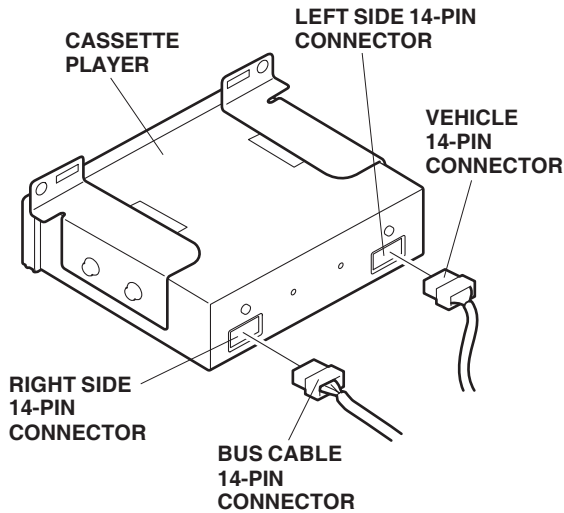


With the Ashtray Holder:

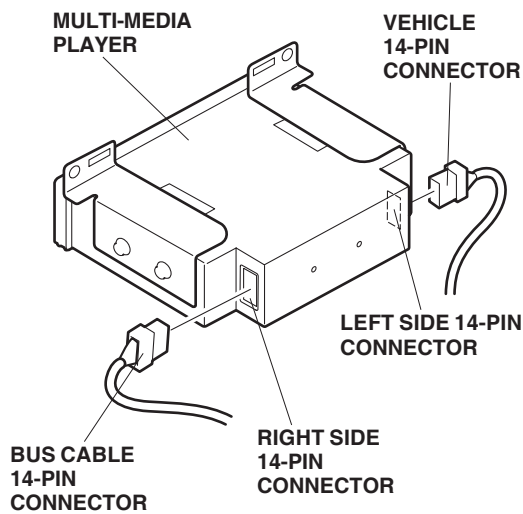


- Plug the bus cable 14-pin connector into the right side 14-pin connector of the player. Plug the vehicle 14-pin connector unplugged in step 7 into the left side 14-pin connector of the player.

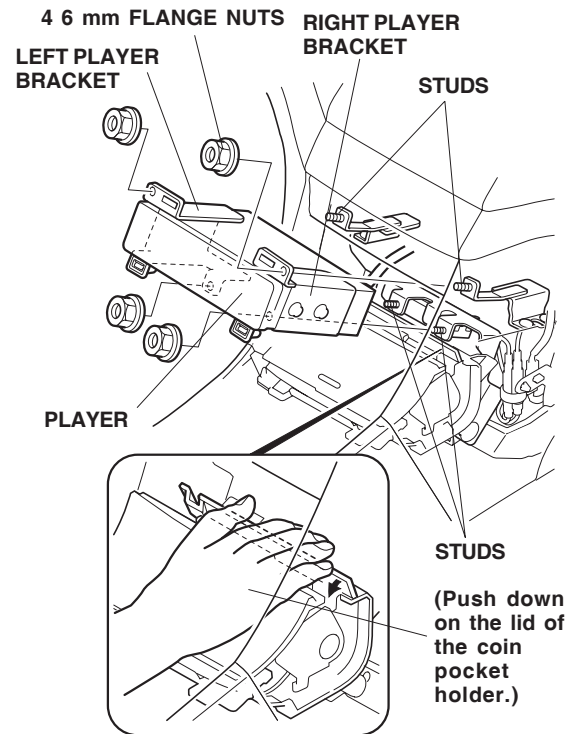
Cassette Player:



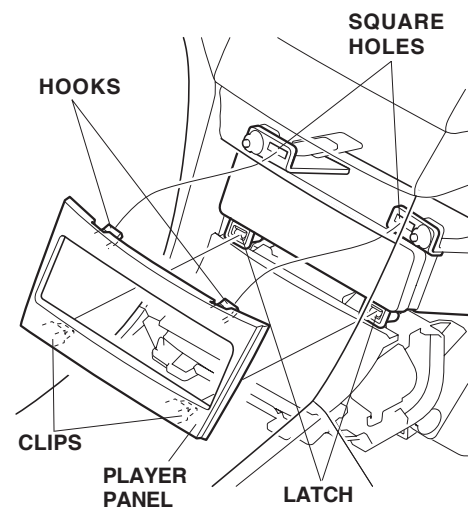
Multi-media Player:



- Insert the studs of the right upper and left upper and lower player brackets into the holes in the right and left player brackets while pushing down on the lid of the coin pocket holder as shown, then install one 6 mm flange nut on the end of each stud, and tighten.



- Insert two player panel hooks into the square holes of the right and left player brackets, then insert two player panel clips into the latches.



- Remove the masking tape applied in steps 7 and 17.

22. Check that all wire harnesses are routed properly and all connectors are plugged in.
23. Reconnect the negative cable to the battery.
24. Enter the anti-theft codes for the radio and the navigation system (if equipped).
25. Reset the clock, and reset the radio station presets.
26. Check the operation of the player according to the Owner's Manual.
27. Put the player Owner's Manual in the glove box.
28. Reinstall all removed parts.

NOTE: When the fuse is replaced or battery is disconnected, reset the power window anti-pinch system as described below.

To reset

29. Check that the door and door glass related parts are installed properly.
30. Start the engine.
31. Push down on the DOWN end of the driver's window switch until the window is fully open.
32. Pull back on the UP end of the driver's window switch until the window is fully closed and continue to hold the switch for at least another second.
33. Make sure that the AUTO feature works correctly. If not, repeat steps 29 through 32.