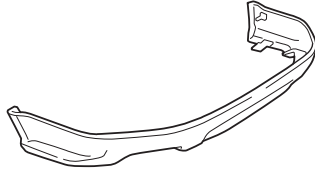
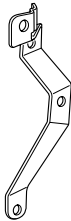


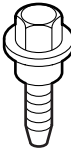
INSTALLATION INSTRUCTIONS	Accessory	Application	Publications No.
	REAR UNDER SPOILER	2008 TL (TYPE S)	BII 37361
			Issue Date JUN 2007

PARTS LIST

Rear under spoiler


 Left bracket
(Marked L)

 Right bracket
(Marked R)


2 Fender bolts



4 Screws



9 Flange nuts



4 Bumper bolts



2 Clips (Female)



10 Spacers


TOOLS AND SUPPLIES REQUIRED

Phillips screwdriver

Flat-tip screwdriver

Ratchet

10 mm Socket

10 mm Combination wrench

Drill

3 mm, 6 mm and 12 mm Drill bits

Blanket

Pushpin

Masking tape

Eye protection (face shield, safety goggles, etc.)

File

Scale

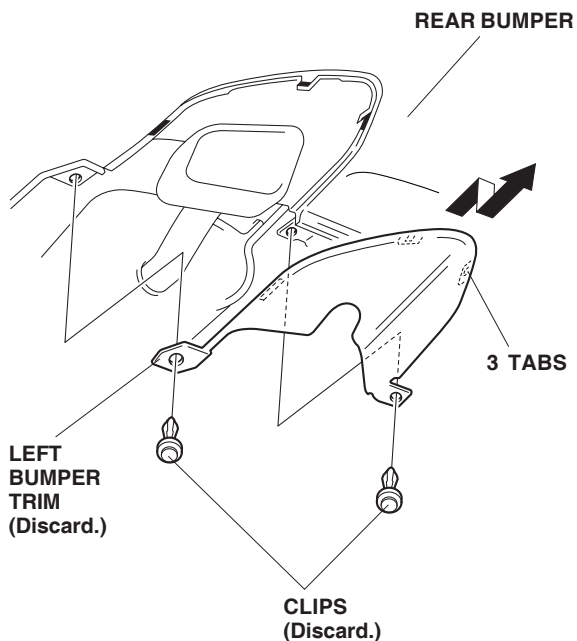
INSTALLATION

Client Information: The information in this installation instruction is intended for use only by skilled technicians who have the proper tools, equipment, and training to correctly and safely add equipment to your vehicle. These procedures should not be attempted by "do-it-yourselfers."

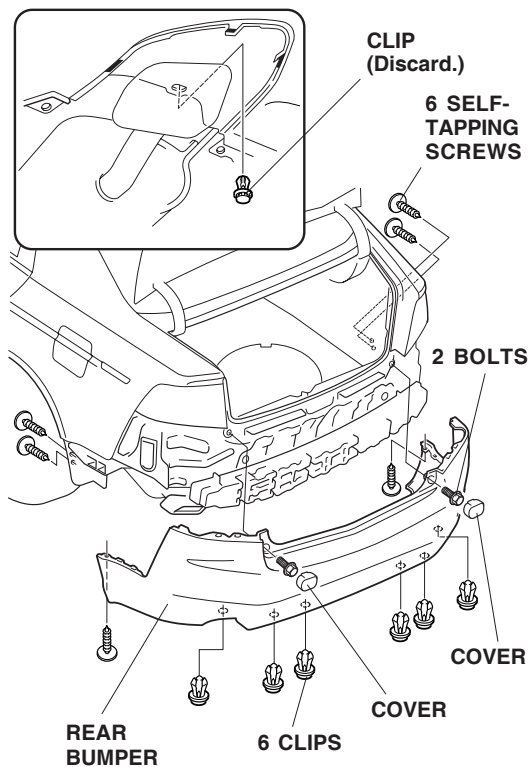
NOTE:

- Be careful not to damage the rear bumper and body paint finish.
- To prevent damage to the bumper, set it on a blanket during installation of the rear under spoiler.
- This rear under spoiler kit should only be installed if the ambient air temperature is 60°F (15°C) or above.
- Splash guards cannot be installed with the rear under spoiler.

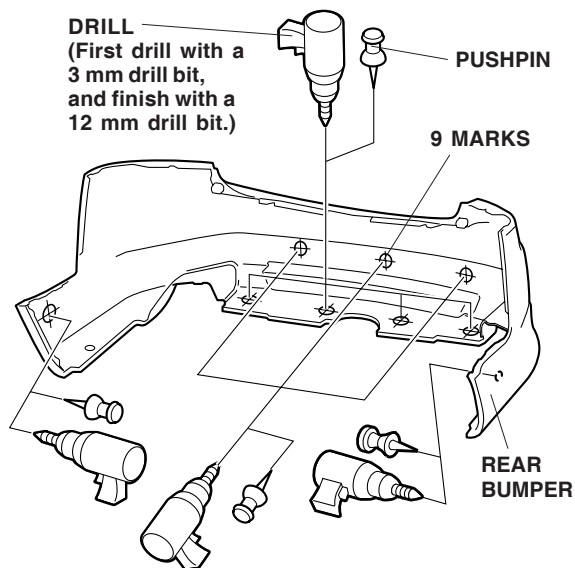
1. Remove the left and right bumper trim (two clips and three tabs), then remove the right bumper trim.



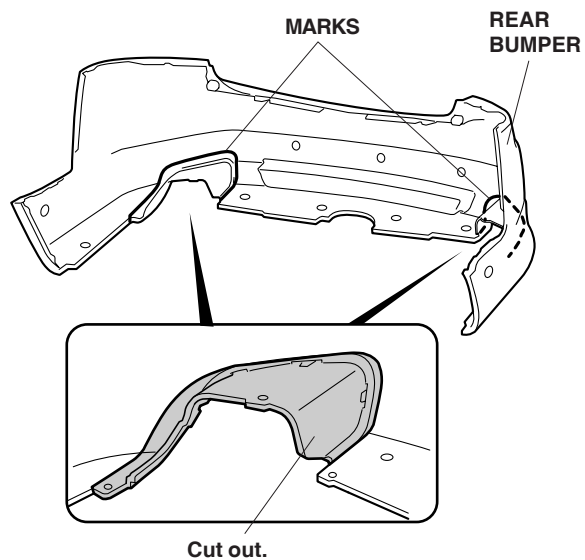
2. With the help of an assistant, remove the rear bumper (two covers, two bolts, six clips and six self-tapping screws). Place the rear bumper on a blanket.



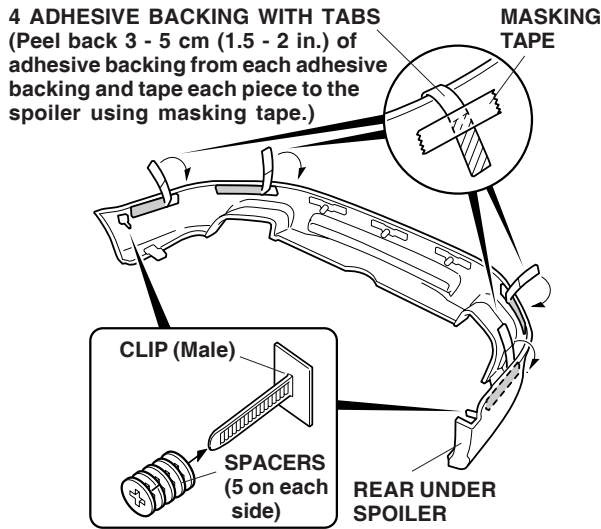
3. Inside the rear bumper, locate the nine preset marks scribed on the bumper.
 - Using a pushpin, make a hole through each of the eleven marks.
 - While wearing eye protection, drill a 12 mm hole at each location. Start with a 3 mm drill bit and finish with a 12 mm drill bit.
 - Remove any burrs from the edge of the holes with a file.



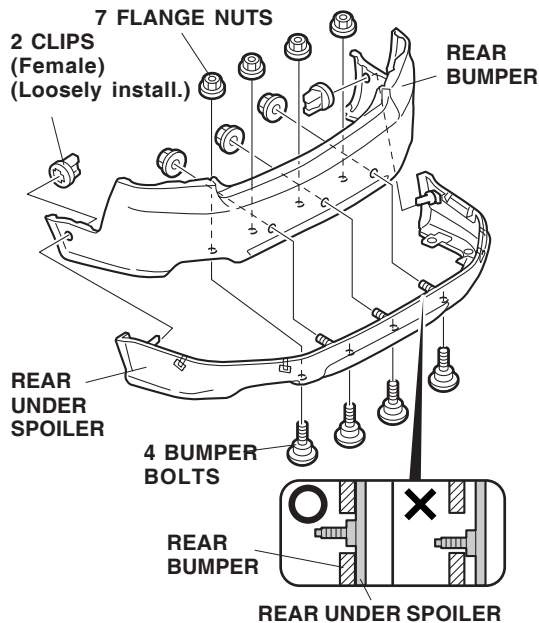
4. Cut out the rear bumper along the marks on the inside of the rear bumper as shown.



- On the rear under spoiler, remove 1.5 to 2 in. of adhesive backing, and tape each piece to the front of the spoiler using masking tape.

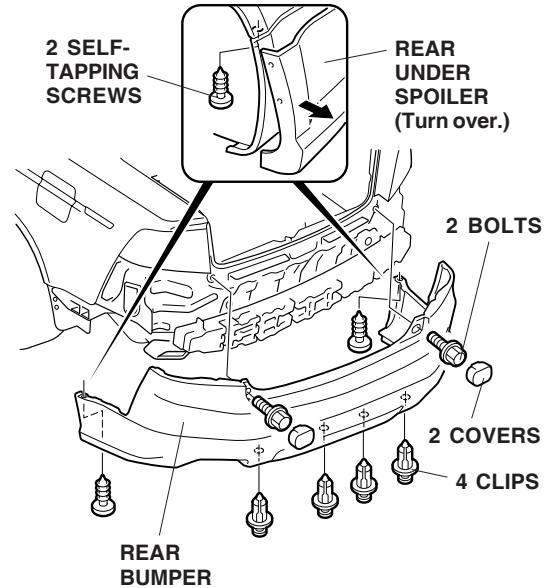


- Install five spacers on each of the two clips (male) on the inside of the rear under spoiler.
- Using isopropyl alcohol, thoroughly clean the rear bumper where the adhesive tapes will attach.

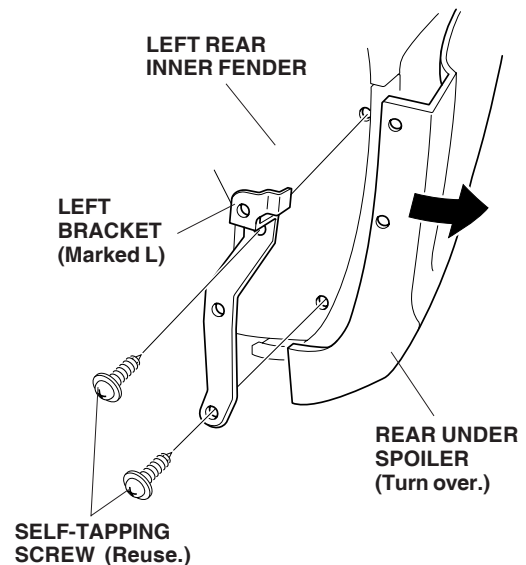


- Fit the rear under spoiler against the rear bumper and install the rear under spoiler to the bumper with four bumper bolts, seven flange nuts.
- Loosely install two clips (female) to secure the rear under spoiler.

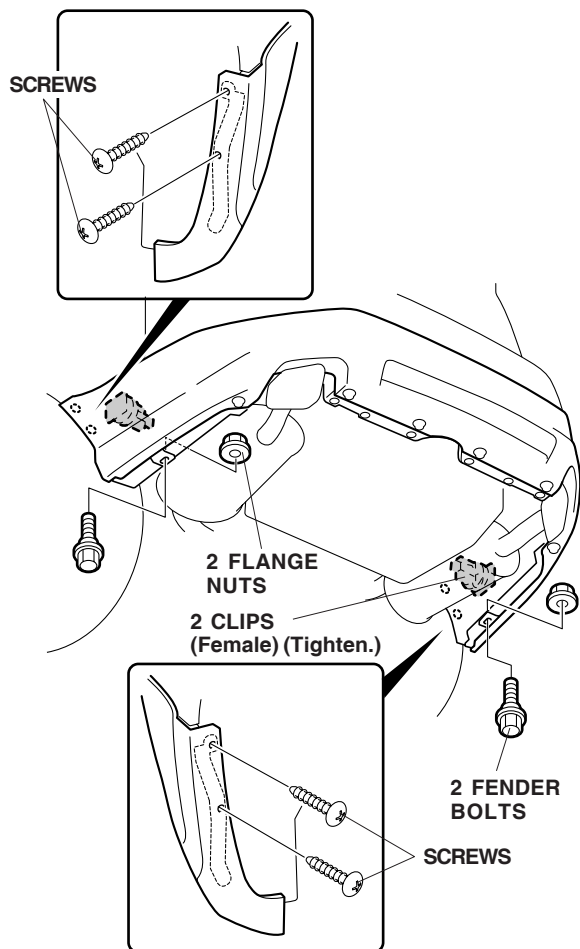
- Reinstall the rear bumper in its original position with two covers, two bolts, four clips and two self-tapping screws. Turn over the end of the rear under spoiler, and then install two self-tapping screws.



- Turn over the left end of the rear under spoiler slightly and install the left bracket on the rear inner fender. Repeat on the right side.



12. Install the left and the right end of the rear under spoiler with four screws.



13. Install the spoiler using two fender bolts and two flange nuts on the lower side of the rear under spoiler, and then tighten two clips (female).

14. Remove the adhesive backings:

- Starting at the center of the rear under spoiler, slowly and carefully remove the adhesive backings while pushing in on the rear bumper.
- At the corners, push up on the spoiler until the spoiler and bumper are properly aligned, then remove the adhesive backings.
- After attaching, hold the under spoiler firmly against the rear bumper with the palm of your hand for 30 seconds, particularly at the edges.

