

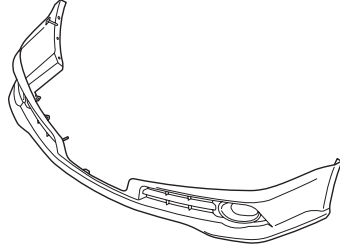


# ACURA INSTALLATION INSTRUCTIONS

Accessory	Application	Publications No.
FRONT UNDER SPOILER	2008 TL (TYPE-S)	<b>BII 37393</b>
		Issue Date <b>JUN 2007</b>

## PARTS LIST

Front under spoiler



Left bracket B  
(Marked "L")



Right bracket B  
(Marked "R")



8 Screws



4 Clips (Female)



6 Spacers



2 Clips



4 Spring nuts



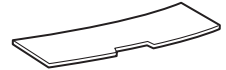
Left seal A



Right seal A



2 Seals B



## TOOLS AND SUPPLIES REQUIRED

Phillips screwdriver

Flat-tip screwdriver

10 mm Wrench

Center punch

Drill

3 mm, 6 mm, and 12 mm Drill bits

File

Isopropyl alcohol

Shop towel

Eye protection (face shield, safety goggles, etc.)

Masking tape

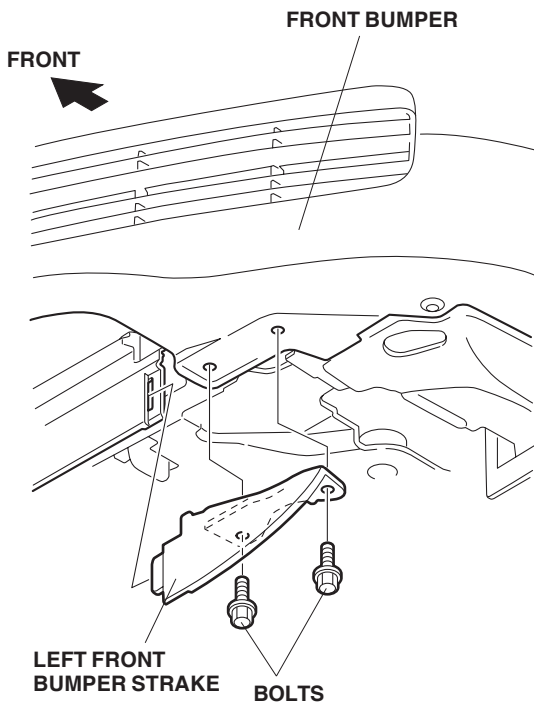
Blanket

## INSTALLATION

**Client Information:** The information in this installation instruction is intended for use only by skilled technicians who have the proper tools, equipment, and training to correctly and safely add equipment to your vehicle. These procedures should not be attempted by “do-it-yourselfers.”

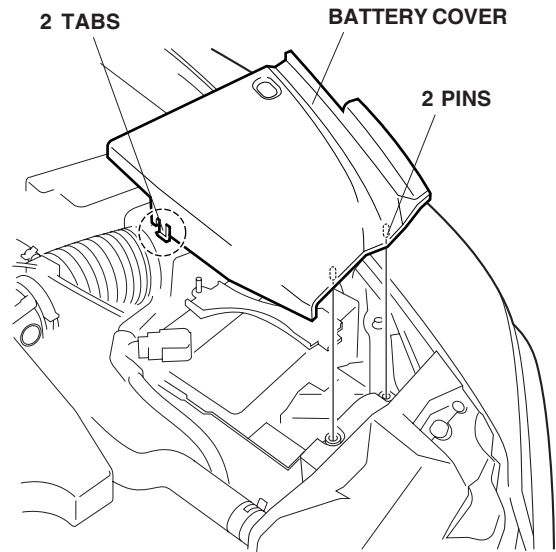
### NOTE:

- Be careful not to damage the body paint finish.
  - This front under spoiler kit should only be installed if the ambient air temperature is 60°F (15°C) or above.
  - To prevent damage to the bumper, set it on a blanket during the installation.
1. Remove the two bolts that secure the left front bumper strake to the bottom of the front bumper and remove the bumper strake by sliding it sidewise.

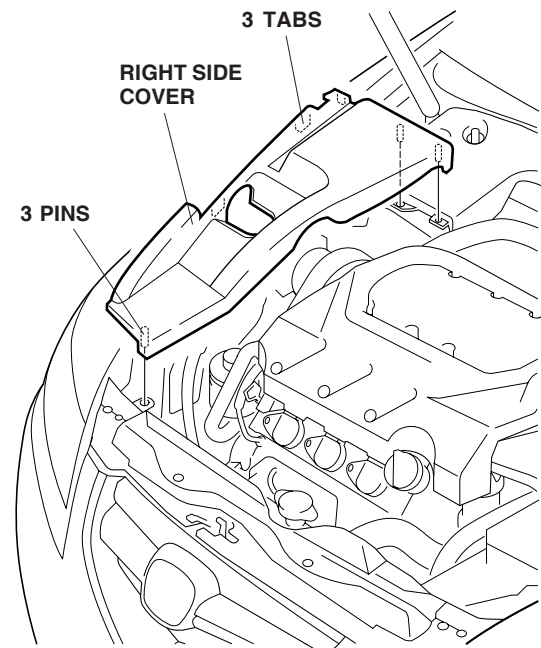


2. Repeat on the right side bumper strake.

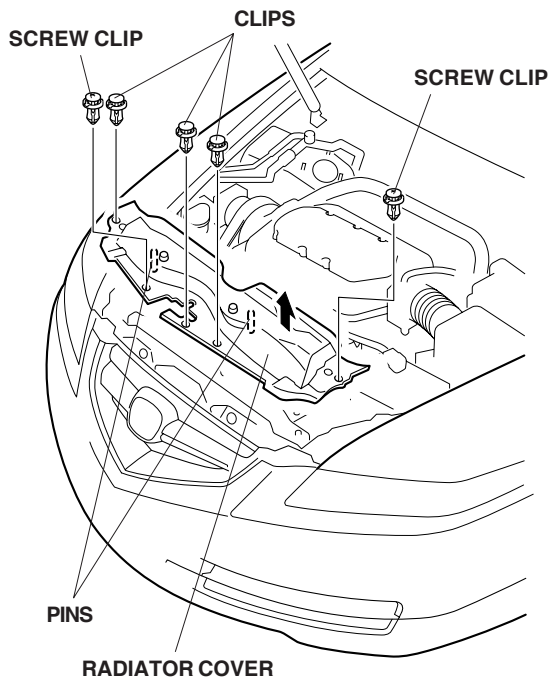
3. Open the hood. Remove the battery cover (two pins and two tabs).



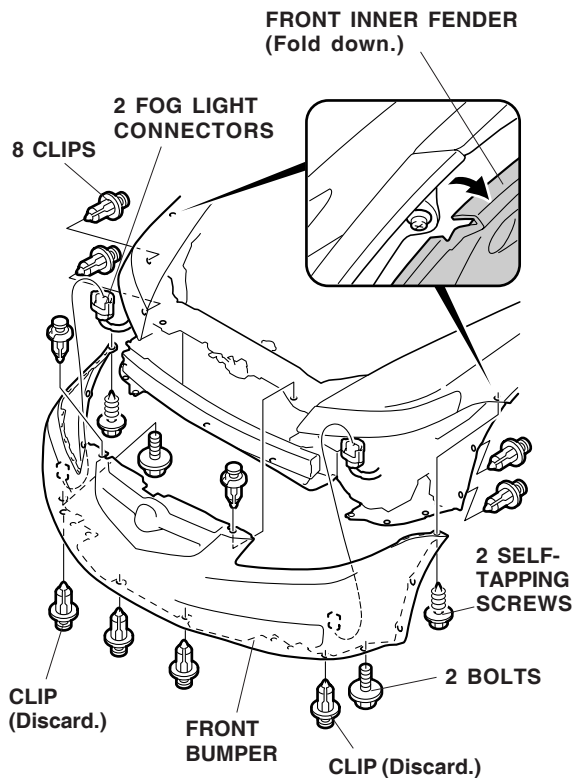
4. Remove the right side cover (three pins and three tabs).



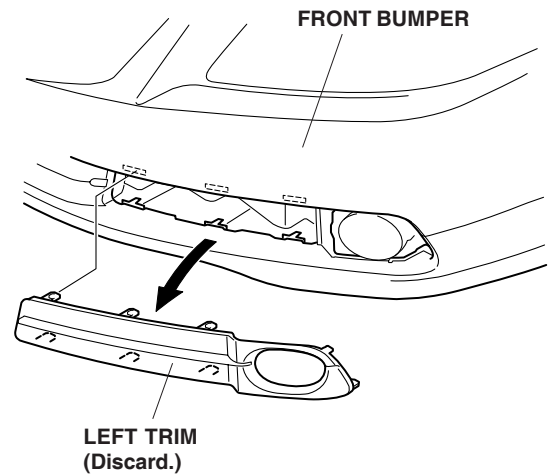
- Remove the radiator cover (three clips, two screw clips and two pins).



- With the help of an assistant, on each side fold down the front inner fender, and remove the front bumper (ten clips, two bolts and two self-tapping screws). If equipped, unplug the fog light connectors.

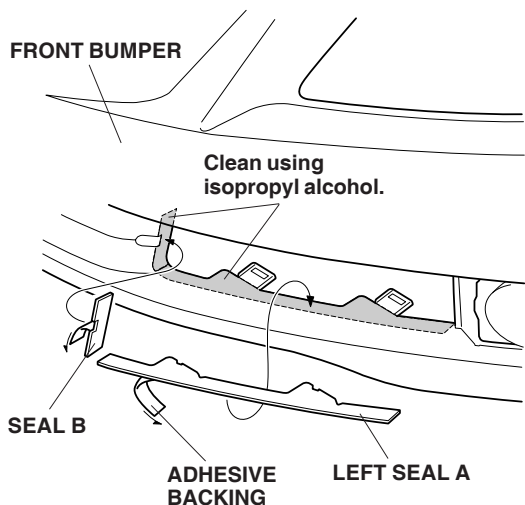


- Remove the left trim from the front bumper (six retaining tabs).

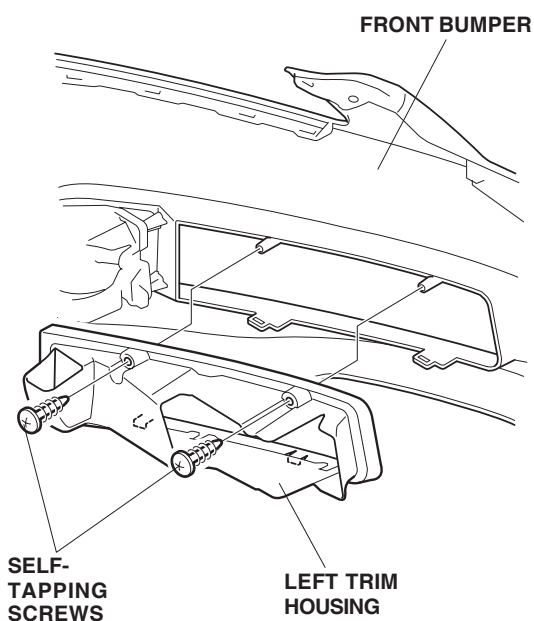


- Remove the left trim housing from the front bumper (two self-tapping screws).

9. Using isopropyl alcohol, clean the front bumper where the left seal A and B will attach.



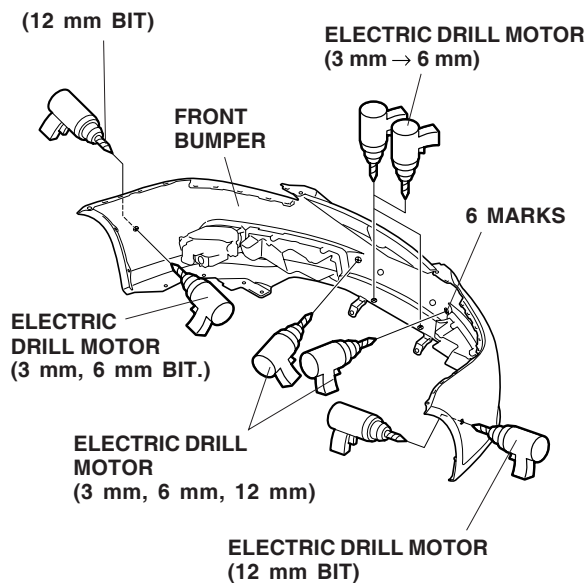
10. Remove the adhesive backings from left seal A and B, and then attach the left seal A and B to the front bumper as shown.
11. Reinstall the left trim housing to the front bumper (two self-tapping screws).



12. Repeat steps 7 through 11 on the right side of the front bumper.

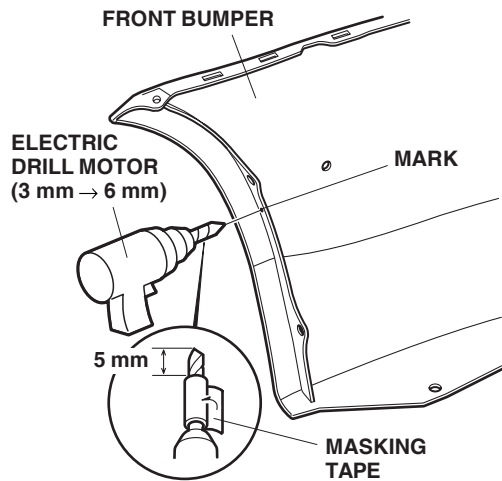
13. While wearing eye protection, drill the front bumper at the six marks on the inside of the front bumper. Drill with 3 mm bit first, then finish with a 6 mm.

- Then drill the four 12 mm holes from the outside of the bumper at the locations shown.
- Remove the burrs from the edge of the holes.



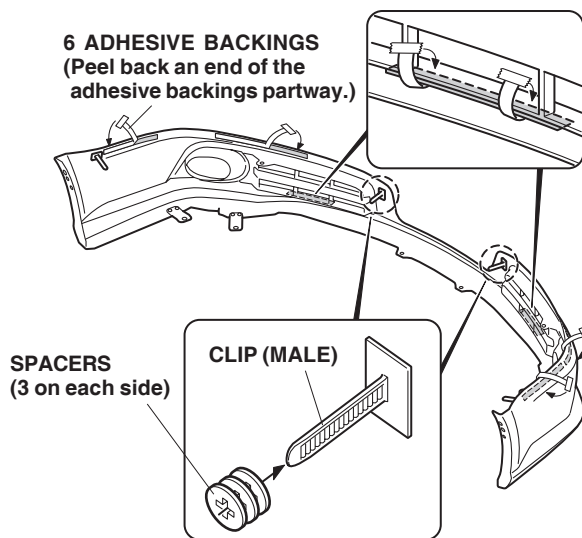
14. While wearing eye protection, drill the front bumper at the mark with a 3 mm bit first. Then finish with a 6 mm bit.

- Wrap masking tape around the drill bit as a drill stop to avoid drilling through the front bumper.
- Remove any burrs from the edge of the holes.



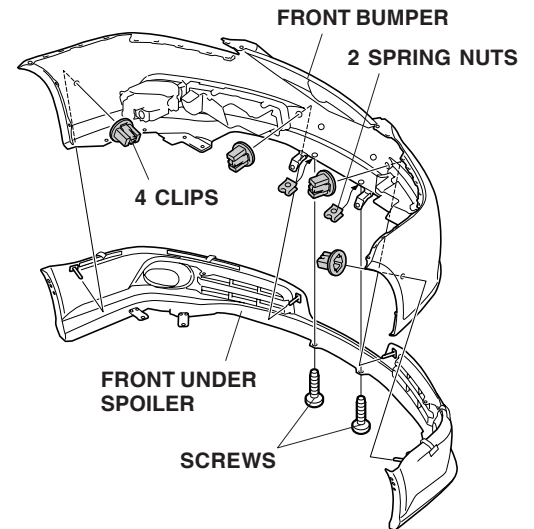
15. Repeat step 14 on the other side.

16. Install three spacers on each of the two clips on the inside of the front under spoiler.



17. Partially peel back the end of the six adhesive backings on the inside of the front under spoiler. Using masking tape temporarily attach the peeled end of the adhesive backings to the surface side of the front bumper.

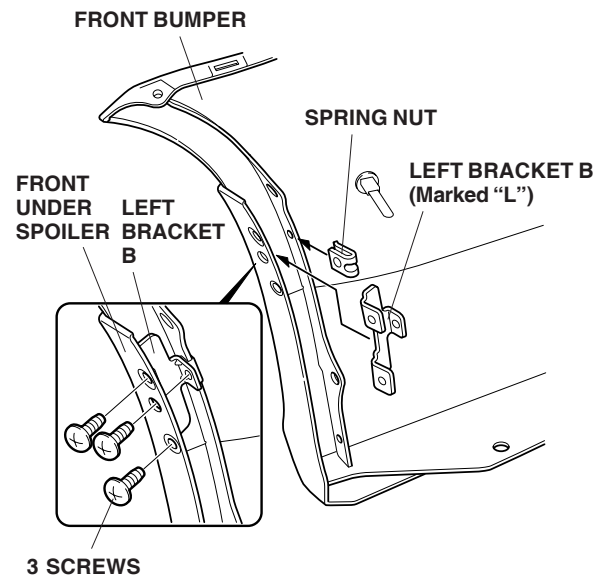
18. Install the two spring nuts on the front bumper.



19. Using isopropyl alcohol on a shop towel clean the surface where the front under spoiler will be installed.

20. Install the front under spoiler on the front bumper using four clips and two screws.

21. Install the spring nut on the front bumper.

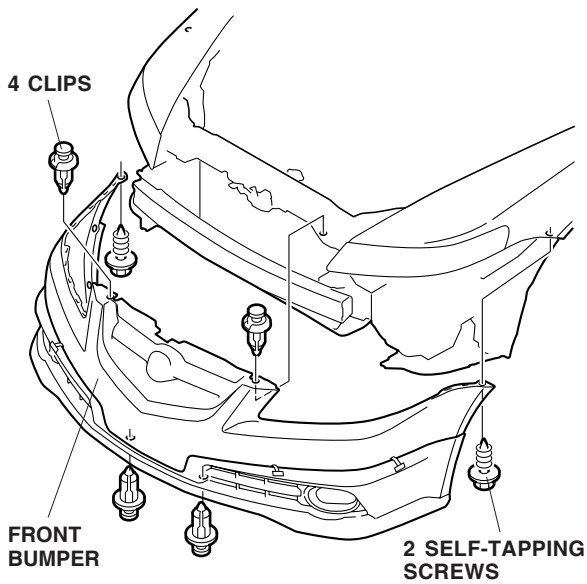


22. Using one screw install the left bracket B on the front bumper using.

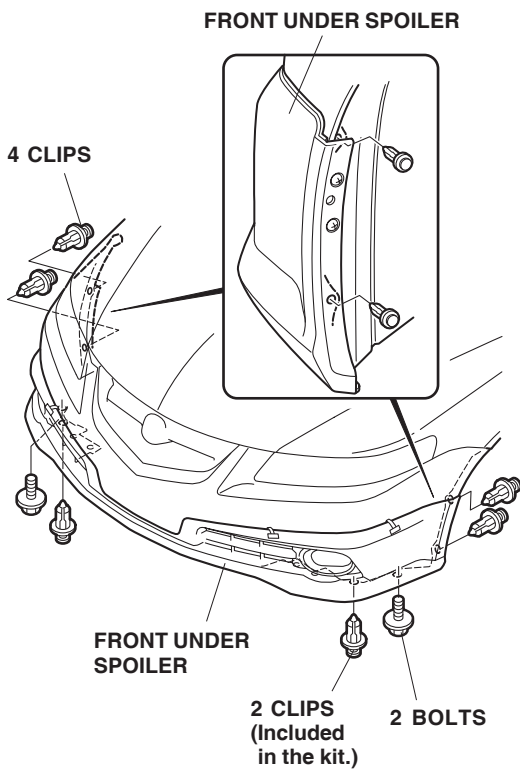
23. Using one screw install the front under spoiler on the left bracket B using two screws.

24. Repeat steps 21 through 23 on the other side.

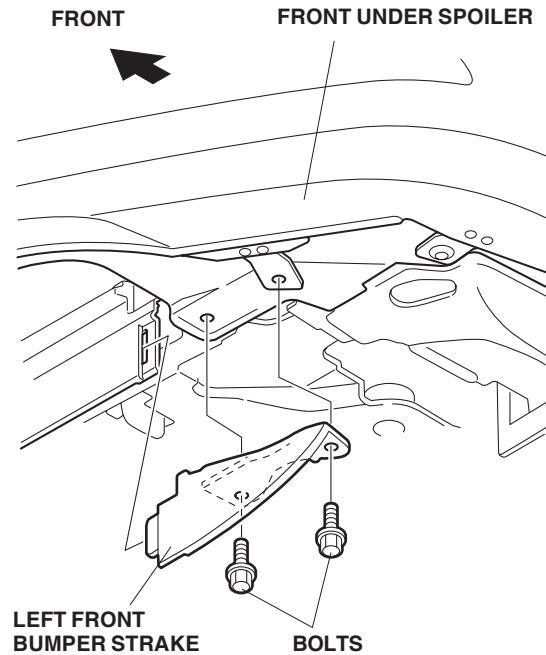
25. Install the front bumper on the car using four clips and two self-tapping screws.



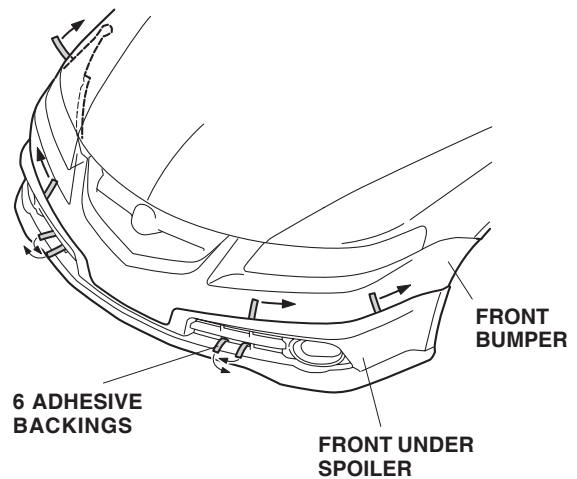
26. Secure the front under spoiler to the front bumper using four clips, two clips (included in the kit) and two bolts.



27. Secure the bumper strake and front under spoiler (two bolts). Repeat on the right side.



28. Position the front under spoiler on the front bumper so there is no clearance between them.



29. Remove the adhesive backings and press the front under spoiler firmly with the palm of your hand to adhere it to the front bumper.
30. Reinstall all removed parts.