



# INSTALLATION INSTRUCTIONS

Accessory

**RUNNING BOARDS (SPORT)  
P/N 08L33-STX-200C**

Application

**2008 MDX**

Publications No.

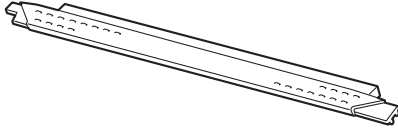
**BII 37607-39736**

Issue Date

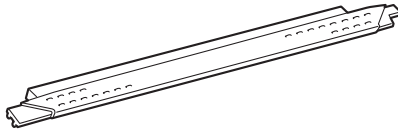
**JUNE 2008**

## PARTS LIST

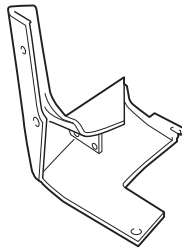
Right running board



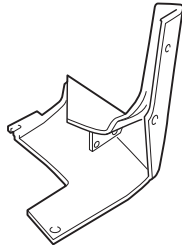
Left running board



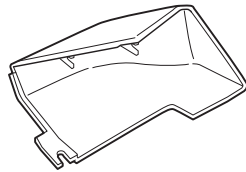
Right front end cap



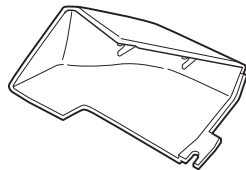
Left front end cap



Right rear end cap



Left rear end cap



8 Self-tapping screws



4 Screws



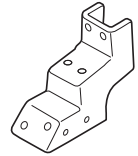
4 Washers



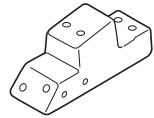
4 Flange nuts, 6 mm



2 Brackets A



4 Brackets B



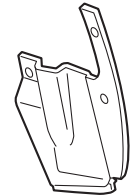
24 Flange bolts



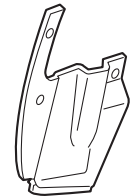
12 Flange nuts, 8 mm



Left front inner end cap



Right front inner end cap



Right bracket C



Left Bracket C



2 Bumper bolts



## TOOLS AND SUPPLIES REQUIRED

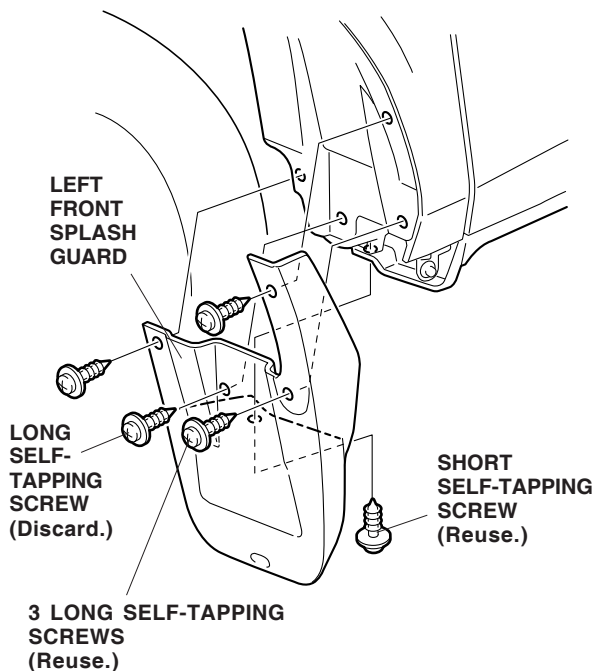
Ratchet  
10 mm and 13 mm Sockets  
10 mm and 13 mm Combination wrenches  
Blanket  
Torque wrench  
Swivel socket  
90 degree screwdriver

## INSTALLATION

**Client Information:** The information in this instruction is intended for use only by skilled technicians who have the proper tools, equipment, and training to correctly and safely add equipment to your vehicle. These procedures should not be attempted by "do-it-yourselfers."

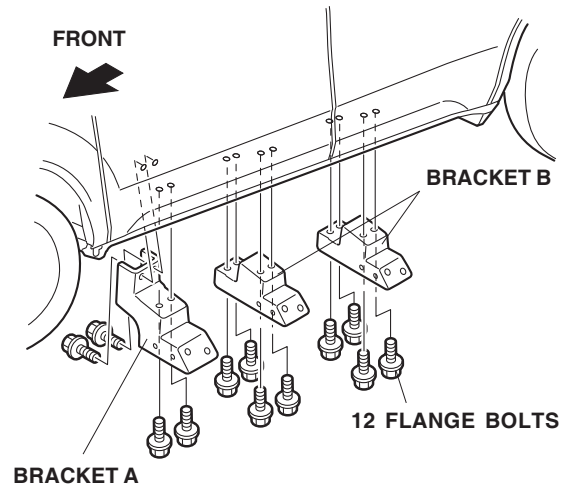
### NOTE:

- Thoroughly clean the bottom of the body between the front and rear wheels.
  - Be careful not to damage the body paint finish. To prevent damage, place a blanket under the running board during the installation.
  - These instructions show the left side running board being installed; the same procedure applies to installing the right running board.
1. Remove the left front splash guard (5 self-tapping screws).

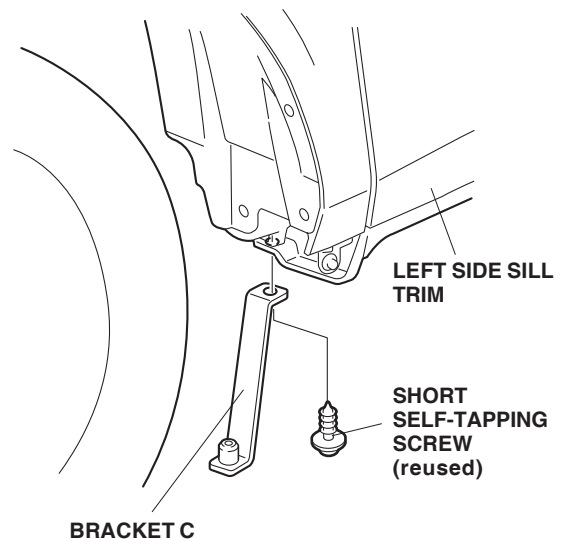


2. Install Bracket A and two Brackets B to the holes in the bottom of the side sill trim with 12 flange bolts. Thread the flange bolts in about three or four turns, but do not tighten.

**NOTE:** If there is undercoat on the body surface, remove the undercoat using a scraper or equivalent tool before installing the bracket A. If necessary, clean the threads using a tap. Take care not to damage the paint finish.

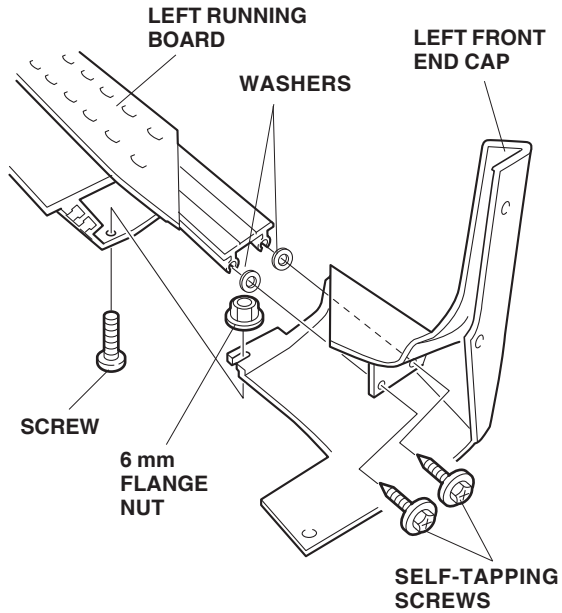


3. Loosely install Bracket C (left) to the hole in the bottom of the left side sill trim using the self tapping screw removed in step 1.

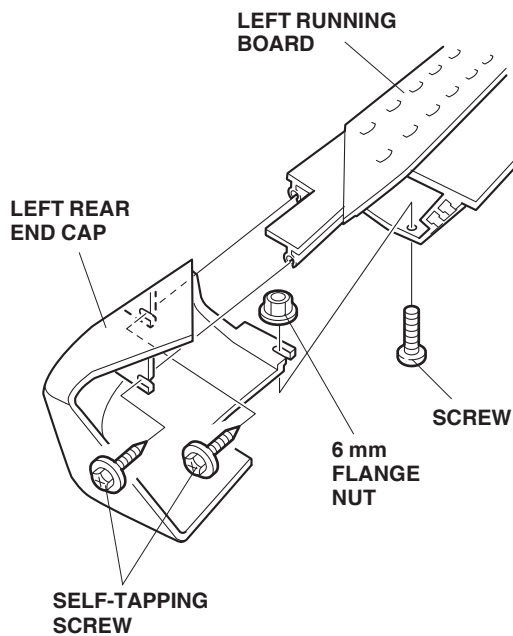


- Install the left front end cap and the left rear end cap to the left running board with the two self-tapping screws, two washers, one screw, and one 6 mm flange nut. Install the left rear end cap the same way. The left rear end cap does not use washers.

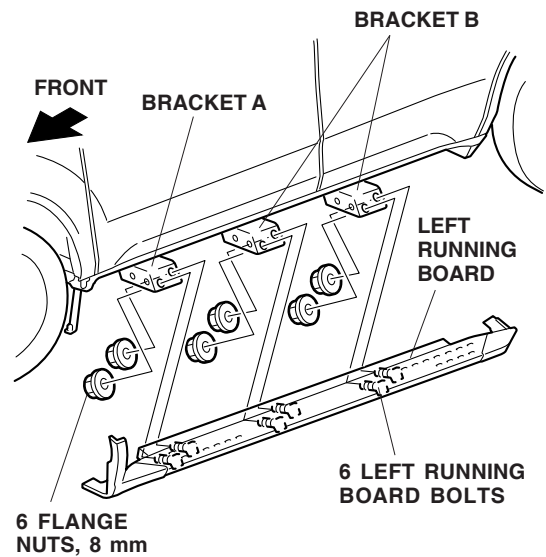
**FRONT**



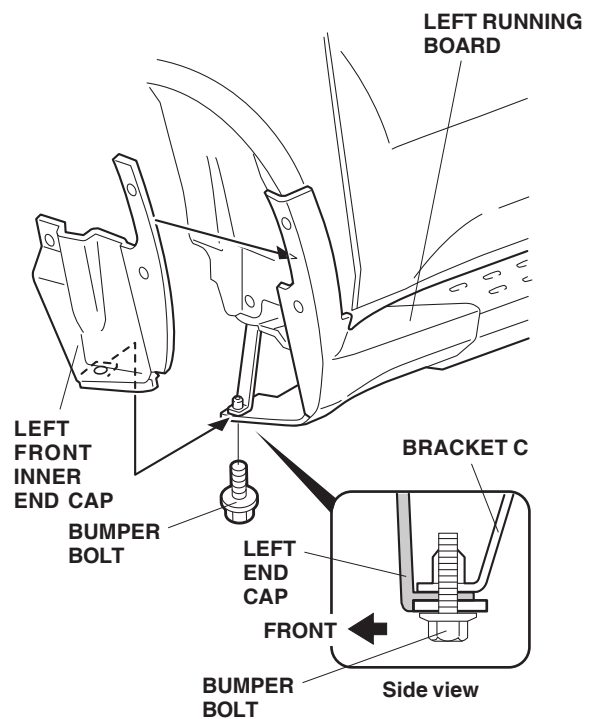
**REAR**



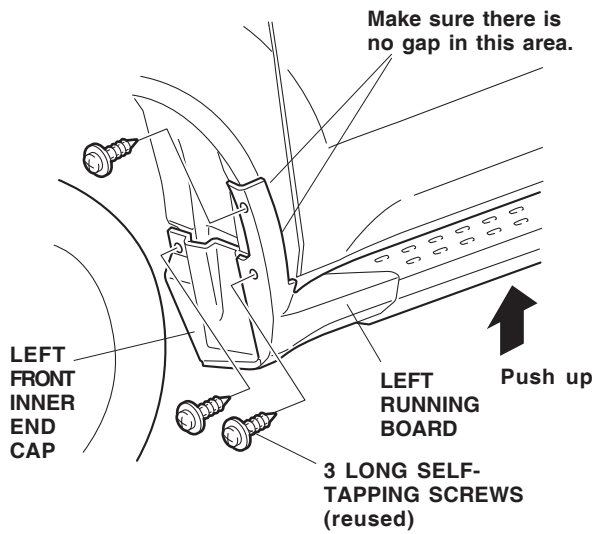
- Align the bolts on the left running board to the holes in the Brackets A and B you just installed on the side sill trim, and install it by loosely tightening six 8 mm flange nuts.



- Align the left front inner end cap to the front of the left running board, and install it by loosely tightening a bumper bolt.



7. While pushing up on the running board, secure the left front inner end cap with the three long self-tapping screws.



8. Torque all the bolts and nuts you installed in step 2 and step 5. Torque the flange bolts to 27 N·m (20 lb-ft). Tighten the screw you installed in step 3.
9. Repeat steps 1 through 8 to install the right running board.