



INSTALLATION INSTRUCTIONS

Accessory

**ROOF RACK
P/N 08L02-STX-200**

Application

2008 MDX

Publications No.

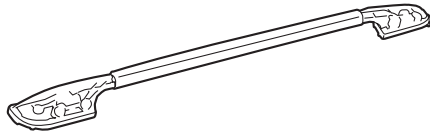
BII 37603-38407

Issue Date

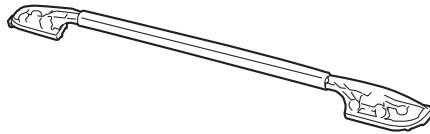
NOV 2007

PARTS LIST

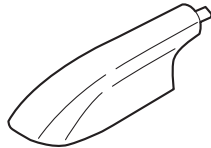
Right side rail



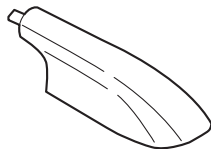
Left side rail



Right front rail cover



Right rear rail cover



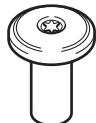
Left front rail cover



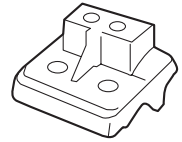
Left rear rail cover



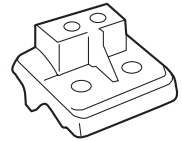
12 TORX nuts



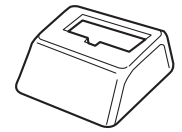
Right center stay



Left center stay



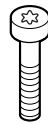
Right center stay cover



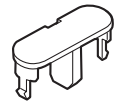
Left center stay cover



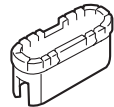
4 TORX bolts



2 Rail cover lids



2 Rail covers



10 Spacers



TOOLS AND SUPPLIES REQUIRED

Special tool P/N 070AF-STX0100

Eye protection (face shield, safety glasses etc.)

Flat-tip screwdriver

Shop towel

Long-nose pliers

T-30 TORX driver

Reciprocating saw (air saw) with 32 tpi blade

Snap-on: AT192A or equivalent

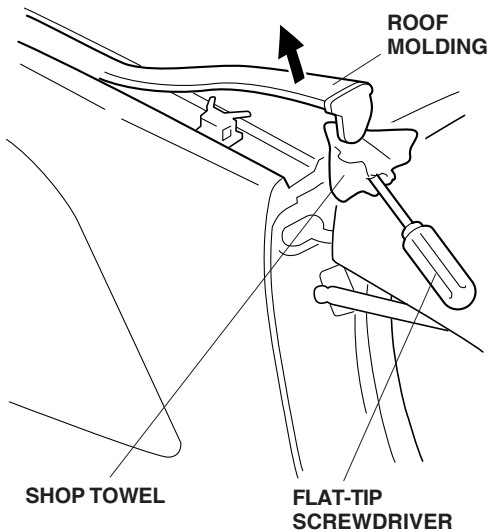
INSTALLATION

Client Information: The information in this installation instruction is intended for use only by skilled technicians who have the proper tools, equipment, and training to correctly and safely add equipment to your vehicle. These procedures should not be attempted by "do-it-yourselfers."

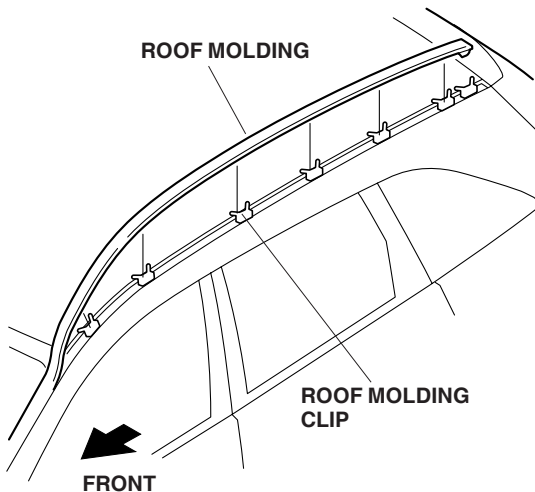
NOTE:

- Cargo weight must not exceed the maximum weight capacity of 165 lb (75 kg).
- Be extremely careful not to damage the paint and other surfaces when installing the roof rack.

1. Place a shop towel around the end of a flat-tip screwdriver and pry up on the rear of the left roof molding.

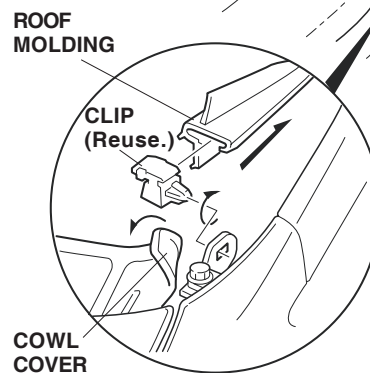
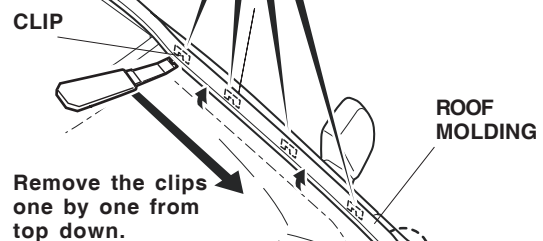
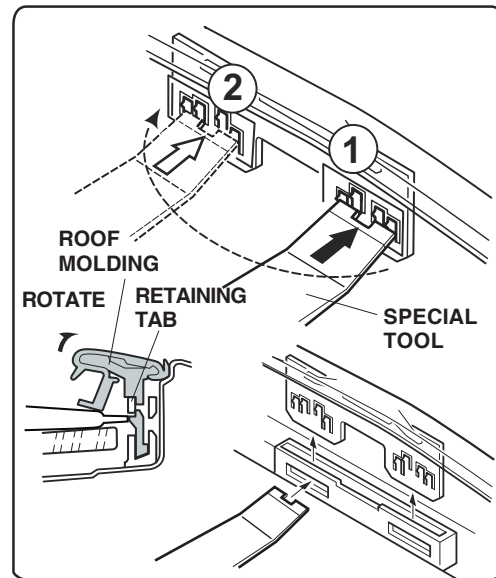


2. Remove the roof molding by carefully lifting it upward.



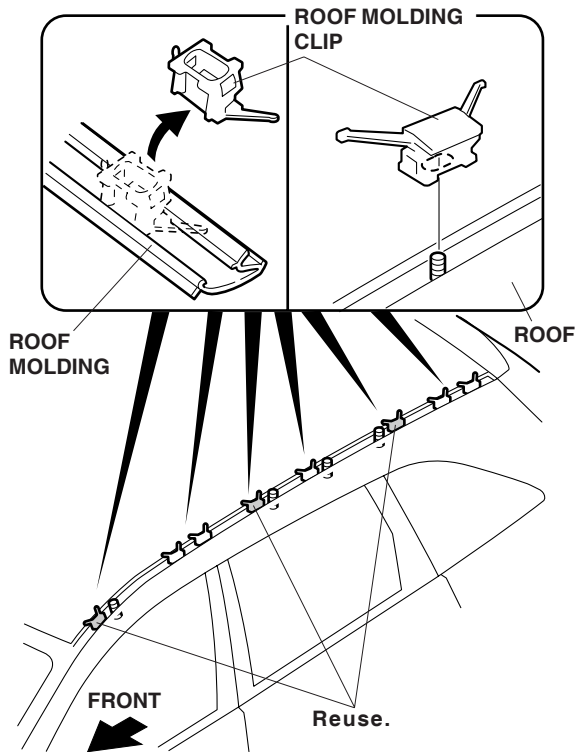
3. Remove the front windshield roof molding clips:

- Remove the clips one by one, from the top down.
- To remove the clips, while pulling up on the molding at the clip area, insert the special tool under the molding, then press in on the retaining tabs of the clip as shown. Do not pry on the retaining tabs; press them straight in.
- Do not pry on the windshield when removing the clips.

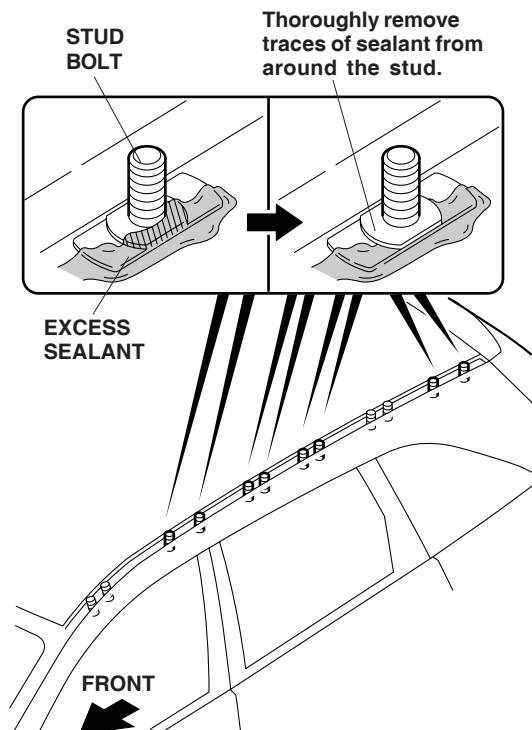


4. Turn over the cowl cover, and remove the clip. Reinstall the clip onto the roof molding.

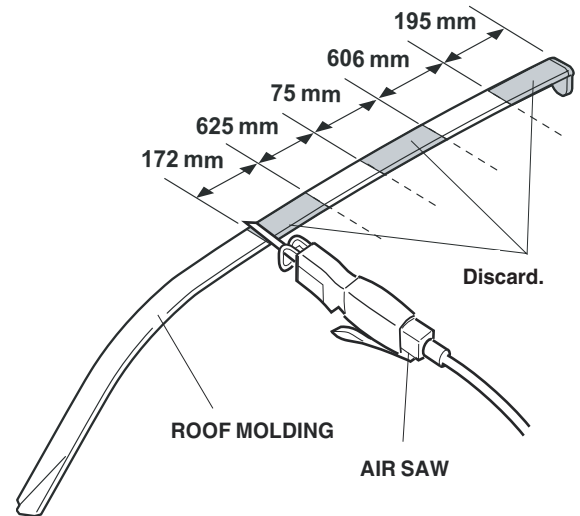
- Remove all retaining clips on the roof molding and the roof.



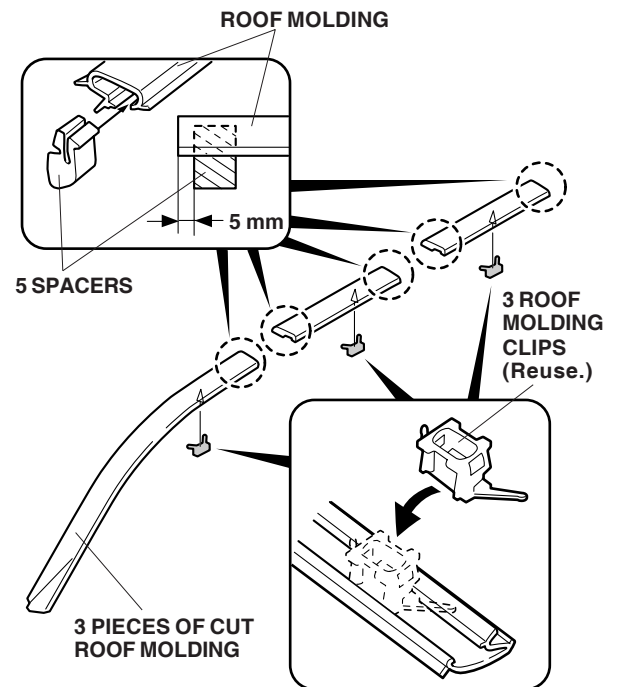
- Remove any excess sealant from around the stud bolts.



- While wearing eye protection, use an air saw to cut each roof molding to the dimensions shown.

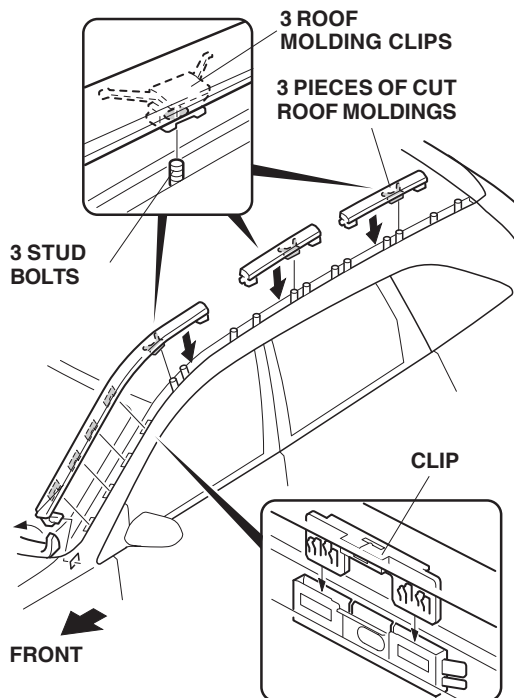


- Reinstall the three roof molding clips removed in step 5 into the cut pieces of the roof molding.

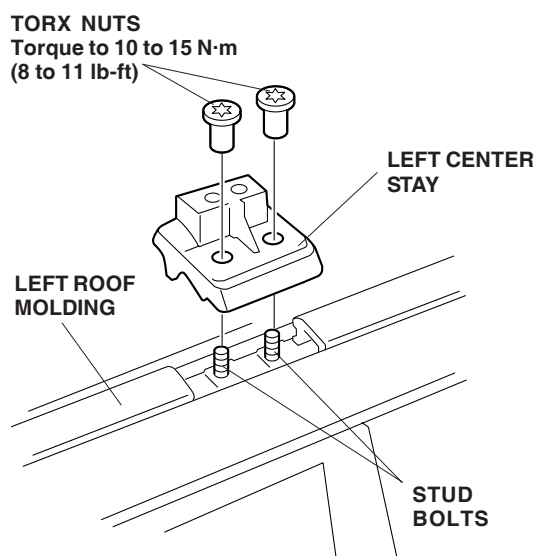


- Install five spacers on the ends of the cut pieces of the roof molding.

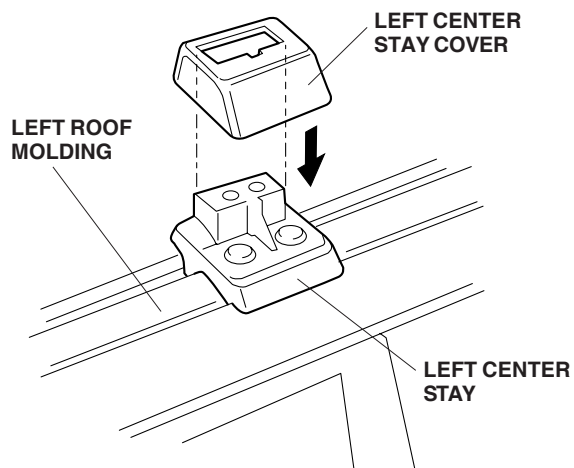
10. Reinstall the cut pieces of the roof molding on the vehicle.



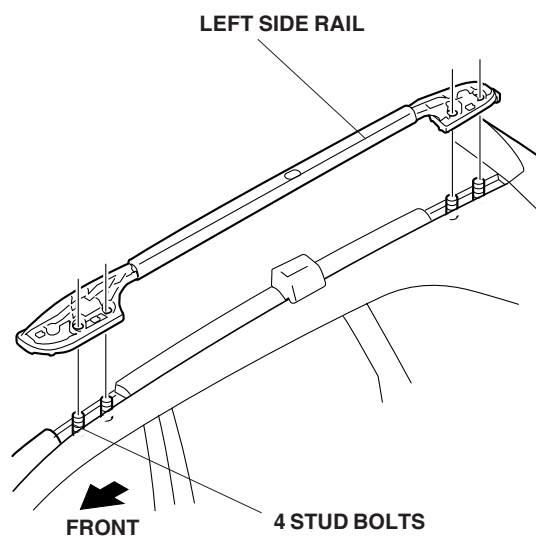
11. Place the left center stay over the two stud bolts at the center, and install two TORX nuts using a T-30 TORX driver. Torque the TORX nuts to 10 to 15 N·m (8 to 11 lb-ft).



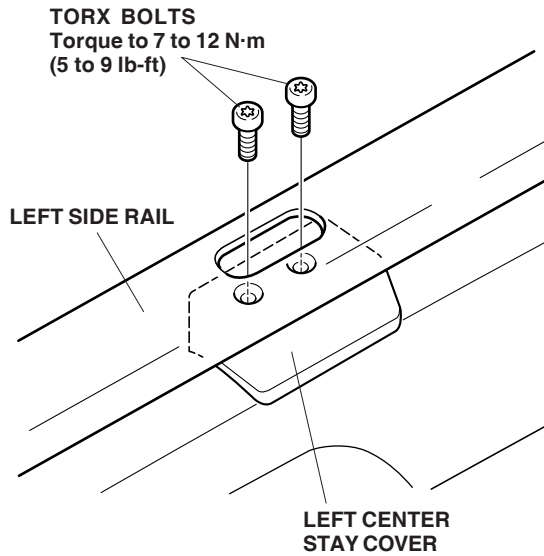
12. Attach the left center stay cover to the left center stay.



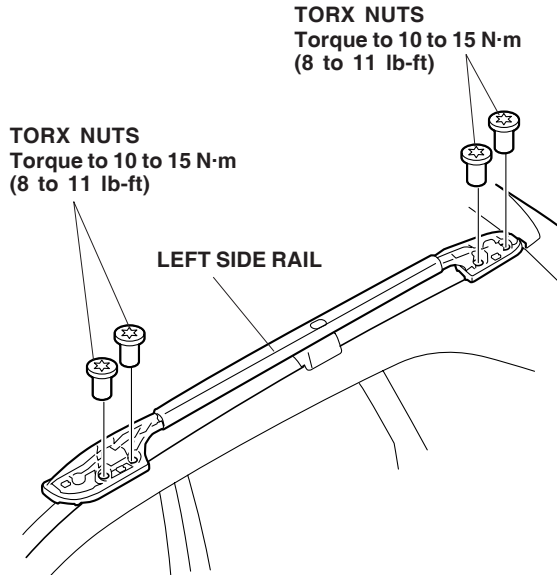
13. Place the left side rail over the four remaining stud bolts.



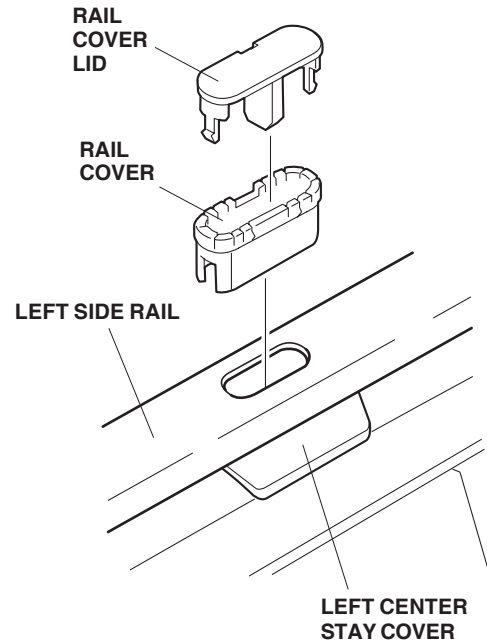
14. At the left center stay cover, install two TORX bolts through the holes in the left side rail. Torque the two TORX bolts to 7 to 12 N·m (5 to 9 lb-ft).



15. Install four TORX nuts to attach the front and rear of the left side rail. Torque the four TORX nuts to 10 to 15 N·m (8 to 11 lb-ft).

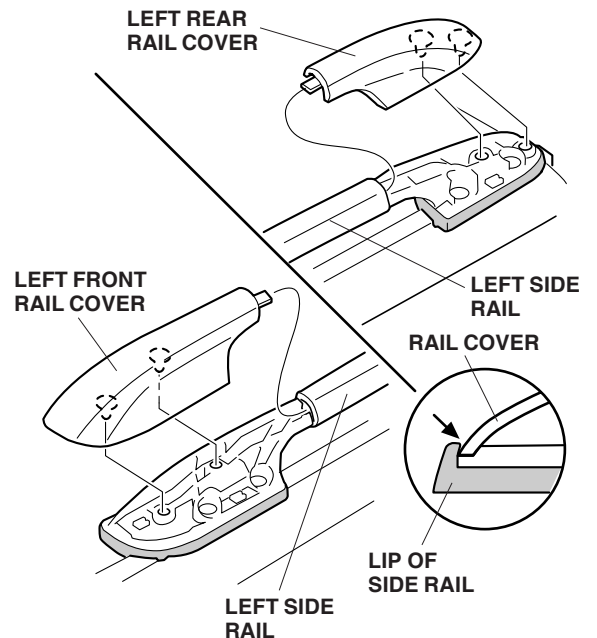


16. Install the rail cover lid on the rail cover.



17. Insert the rail cover into the hole in the center of the left side rail.

18. Install the left front rail cover and left rear rail cover on the respective ends of the left side rail.



19. Repeat steps 1 through 18 to install the right side rail on the right side of the vehicle.