



ACURA

INSTALLATION INSTRUCTIONS

Accessory

INTERIOR PANEL KIT (REAR)

Application

2007 TL

Publications No.

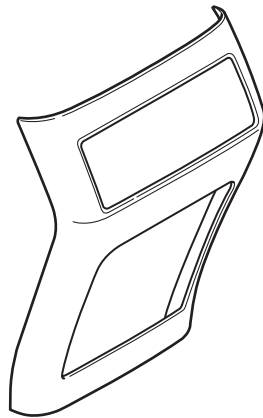
BII 33620

Issue Date

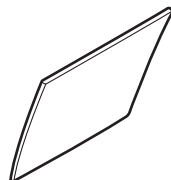
AUG 2006

PARTS LIST INTERIOR PANEL KIT P/N 08203-SEP-201 D (Carbon-fiber)

Console rear panel



Console pocket panel



SUPPLIES REQUIRED

Isopropyl alcohol

Masking tape

Shop towel

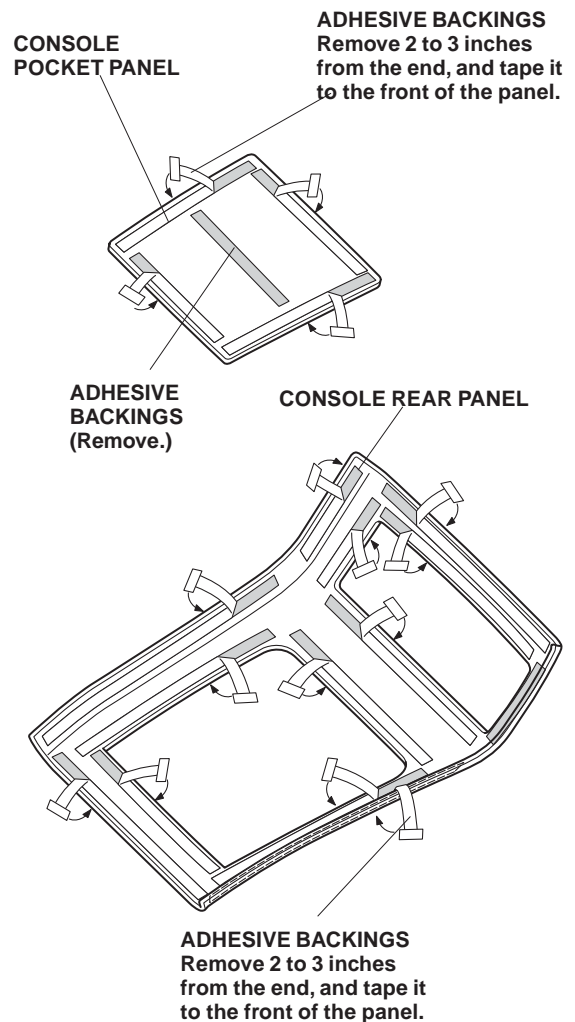
INSTALLATION

NOTE:

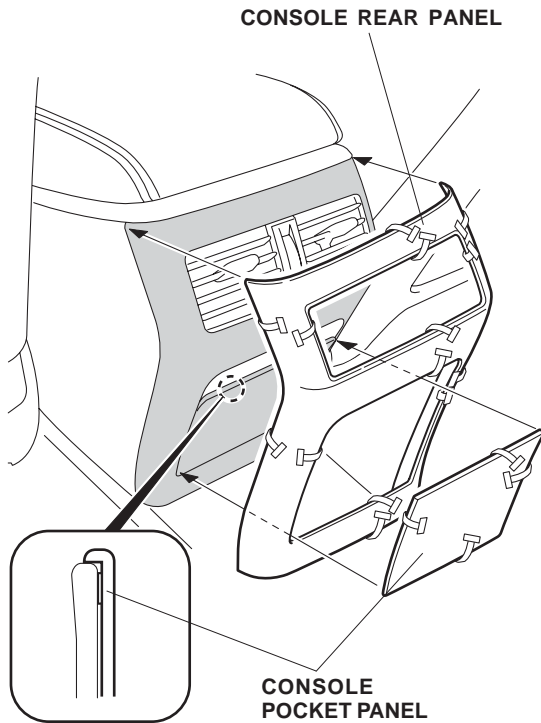
- Be extremely careful not to damage the interior panel.
- The panel should only be installed if the ambient air temperature is above 60°F (15°C) or above.

Installing the Console Rear Panel and Console Pocket Panel

1. Attach a strip of masking tape to the end of each outer adhesive backing, and remove 2 to 3 inches of the adhesive backing as shown. Fold the ends back, and tape them to the surface of the panels. Remove all remaining adhesive backings.



2. Position the console rear panel and console pocket panel on the existing panels as shown. While applying light pressure on the panels, carefully remove the adhesive backings. Hold the panels firmly against the existing center console with the palm of your hand, particularly at the edges.



3. After installing the panels, use the palm of your hand to hold pressure against it for 30 seconds.

USE AND CARE

- Use a soft cloth or sponge dampened with a mild detergent and water solution to clean the panels. Do not use polishing waxes containing compounds or degreasing agents to clean the panels.
- Be sure to convey the above information to your customer when delivering the vehicle to the customer.