



ACURA INSTALLATION INSTRUCTIONS

Accessory

CARGO ORGANIZER
P/N 08U20-STK-200

Application

2007 RDX

Publications No.

BII 32370-37714

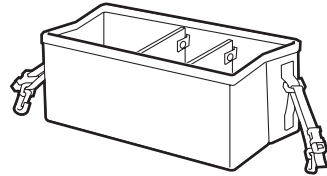
Issue Date

JUL 2007

Put this information in the glove box with the vehicle owner's manual.

PARTS LIST

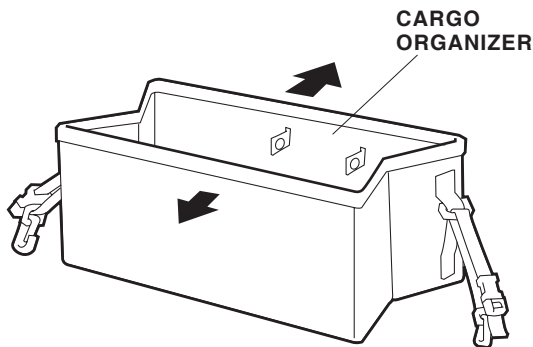
Cargo organizer



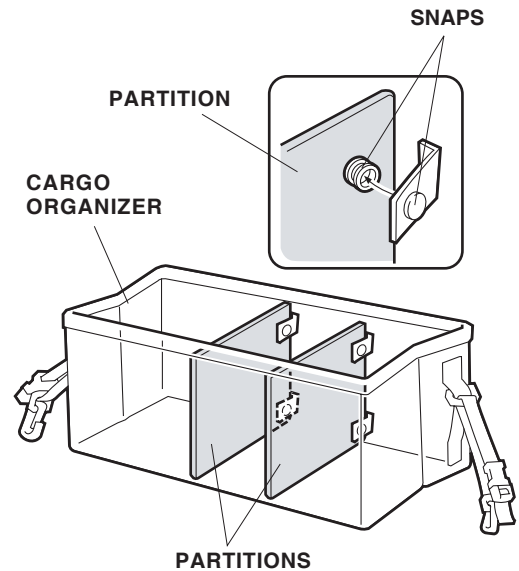
INSTALLATION

NOTE: Before storing articles that have sharp edges or corners, wrap them in paper or a blanket so their sharp edges or corners will not contact the soft cargo organizer.

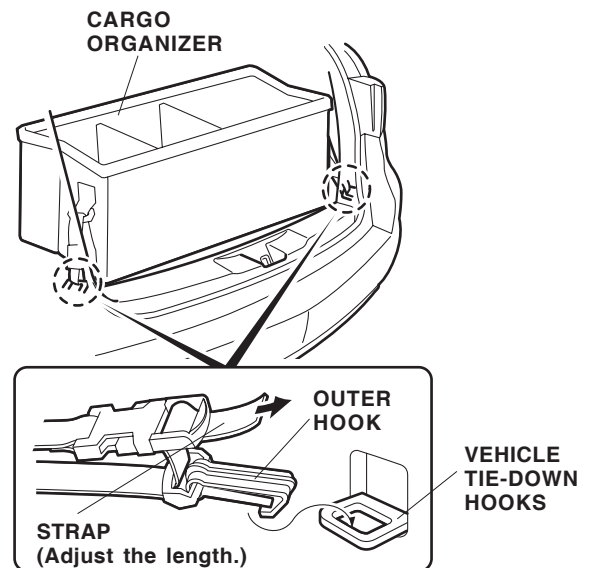
1. Open the cargo organizer.



2. Attach the two partitions to the soft cargo organizer by connecting the inner snap.



3. Place the organizer in the cargo area of the vehicle, and attach the outer hooks of the organizer to the vehicle tie-down hooks.



4. Adjust the length of the strap as needed to secure the organizer to the vehicle tie-down hooks.