

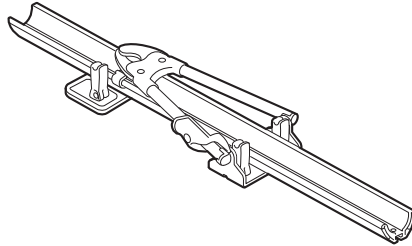


ACURA INSTALLATION INSTRUCTIONS

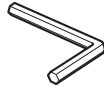
Accessory	Application	Publications No.
BICYCLE ATTACHMENT (ROOF MOUNT) P/N 08L07-TA1-203	2007 MDX	BII 33872-38766
		Issue Date
		FEB 2008

PARTS LIST

Bicycle attachment



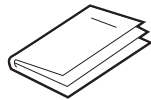
Allen wrench, 5 mm



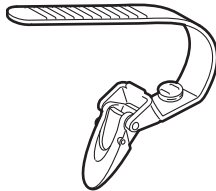
2 Keys



Installation Instruction



2 Wheel straps



2 Tire adapters



2 End caps



TOOL AND SUPPLIES REQUIRED

Flat-tip screwdriver

Shop towel

Before Installing and Using This Bicycle Attachment Kit

The bicycle attachment may come out of position while driving, resulting in serious injury or accident if it is not installed properly. Read these instructions carefully before installing the bicycle attachment.

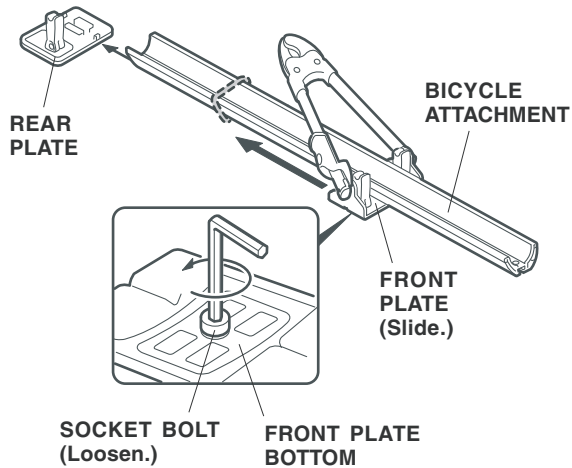
INSTALLATION

NOTE:

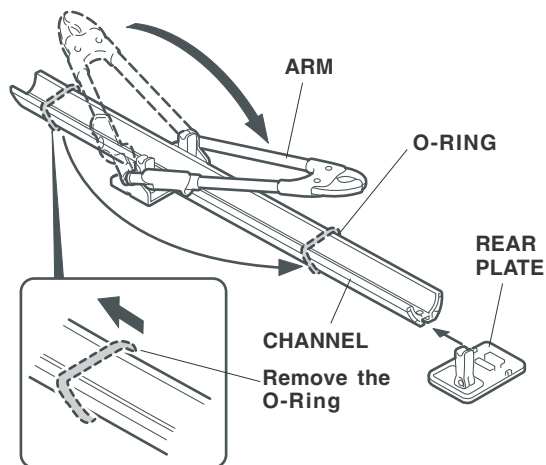
- These instructions are for the passenger's side of the vehicle. Apply the same procedure to the driver's side.
- If you are installing more than one bicycle attachment, you may need to alternate the mounting positions (front to rear) to allow for handle bar clearance.
- Make sure the security retainer and the locking clamp lever are installed on the outboard side. See the instruction sheet for details.

Preparing the Bicycle Attachment

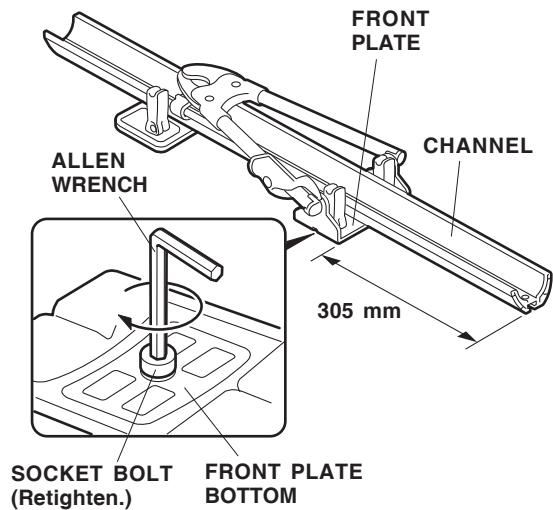
- Slide the rear plate forward and remove it.



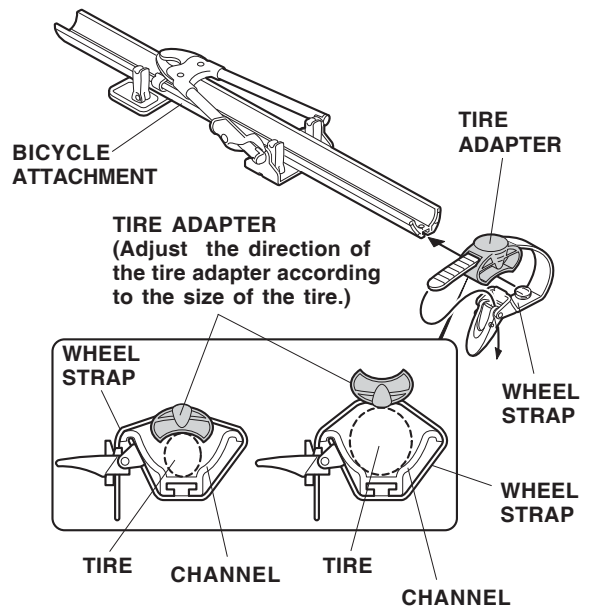
- Using the 5 mm Allen wrench, loosen the socket bolt at the bottom of the front plate, and slide the front plate forward to the position shown.
- Reinstall the rear plate on the opposite end of the channel from which it was removed. Rotate the arm as shown.
- Remove the rubber bumper and transfer it to the new location below the arm.



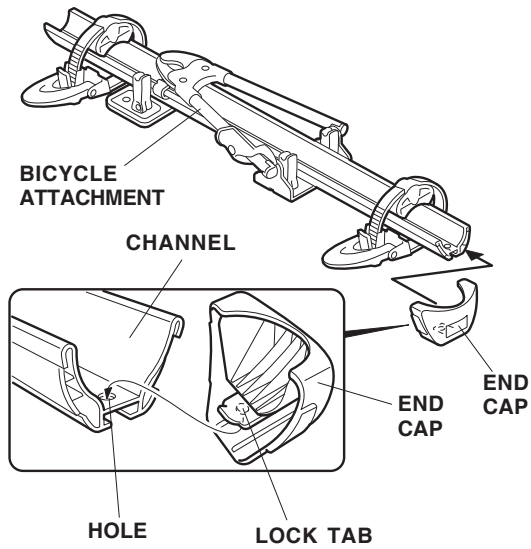
- Adjust the front plate to 305 mm from the end of the channel, then retighten the socket bolt.



- Slide the tire adapter onto the wheel strap, and slide a wheel strap onto one end of the bicycle attachment channel. Repeat on the other end. Make sure both wheel strap buckles are on the same side. Adjust the direction of the tire adapter according to the size of the tire.

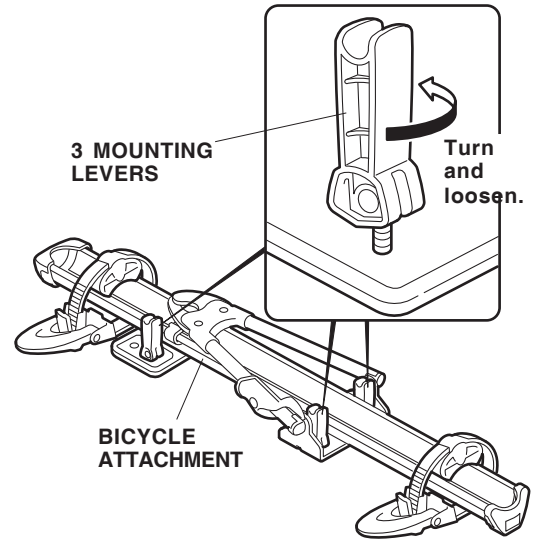


7. Install an end cap on the bicycle attachment channel by aligning the lock tab on the end cap with the hole in the channel. Push down on the end cap until the lock tab "clicks" into place. Repeat on the other end.

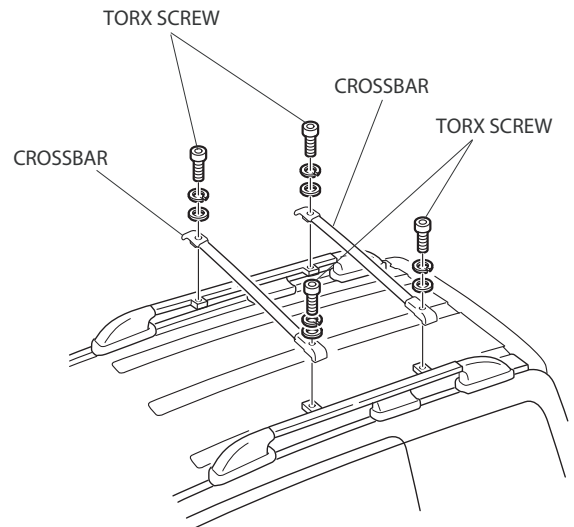


Installing the Bicycle Attachment on the Roof Rack

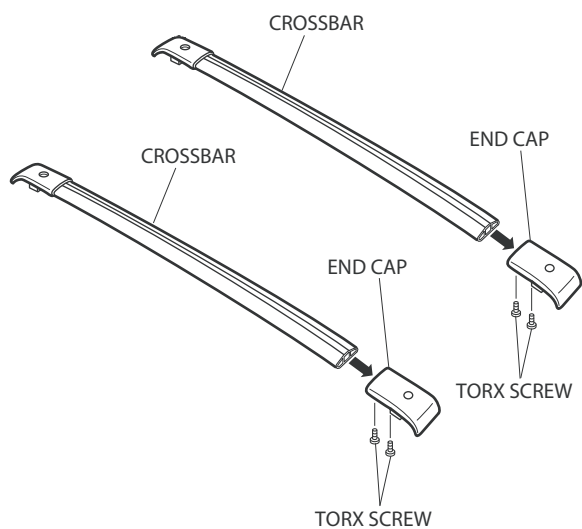
8. Turn and loosen the mounting levers on the bicycle attachment.



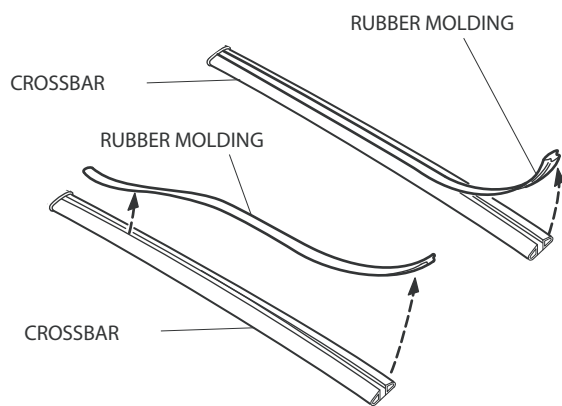
9. Using a T-30 Torx driver, remove the crossbars from the roof rack.



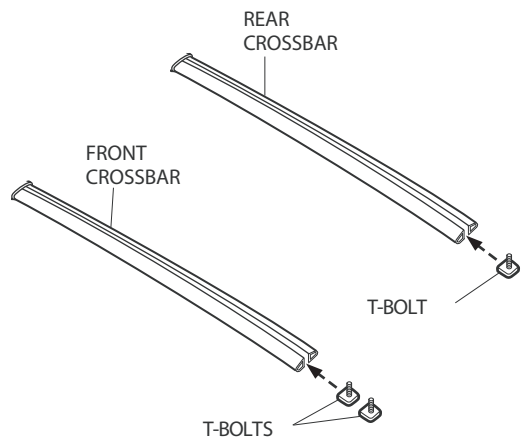
10. Using a T-25 Torx driver, remove the Torx screws from one end of the roof rack crossbars (front and rear). Remove the end cap. Remove the roof rack end caps from the same side of the vehicle.



11. Remove the rubber moldings from the front and rear roof rack crossbars. Retain the rubber moldings to be reinstalled later.

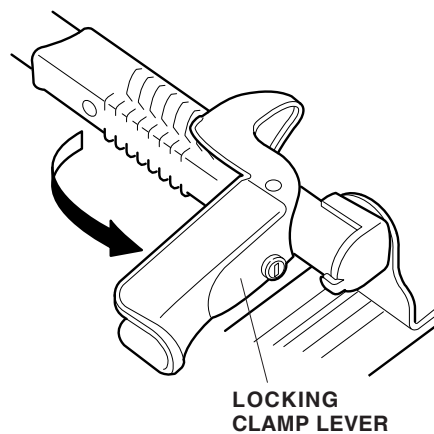


12. Slide two T-bolts into the front crossbar, and slide one T-bolt into the rear crossbar.

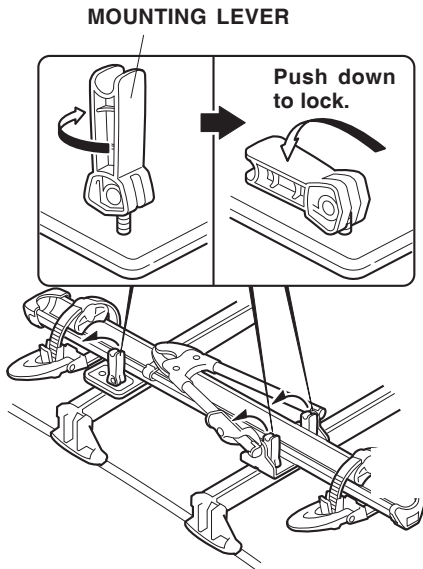


Attaching the Bicycle Attachment

13. Open the locking clamp lever.

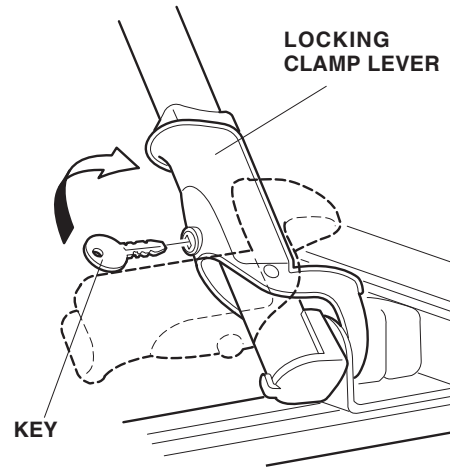


14. Turn and adjust the mounting lever to lock the bicycle attachment to the roof rack. Check for firm pressure while you push down on the mounting lever to lock it into place.

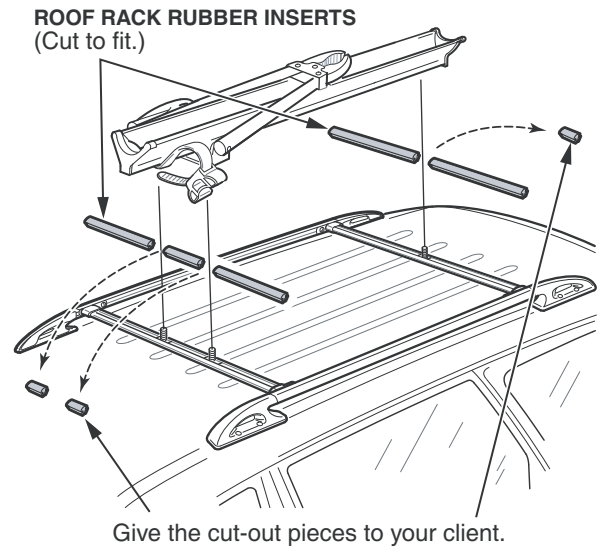


- If the mounting lever pressure is too tight (the lever will not lock into place), lift up on the lever and turn it counterclockwise.
- If the mounting lever pressure is too loose (the lever locks into place, but the bicycle attachment is loose on the cross bars), lift up on the lever and turn it clockwise.

15. Close the locking clamp lever. To deter theft of the bicycle attachment, lock the locking clamp lever with the key.



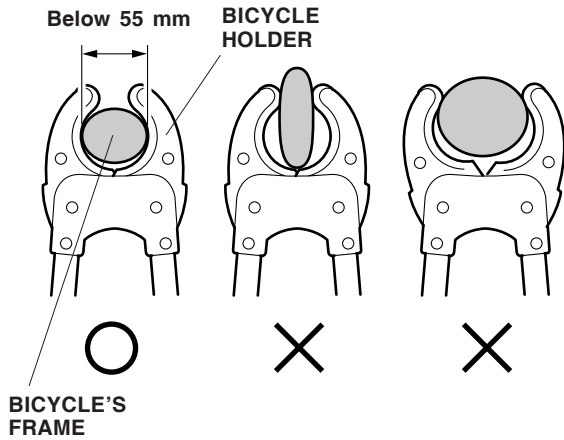
16. Cut the rubber inserts you removed into appropriate length pieces to fill in those open spaces. Give the pieces that would go under the rack mountings to your customer just in case he or she decides to remove the mountings later.



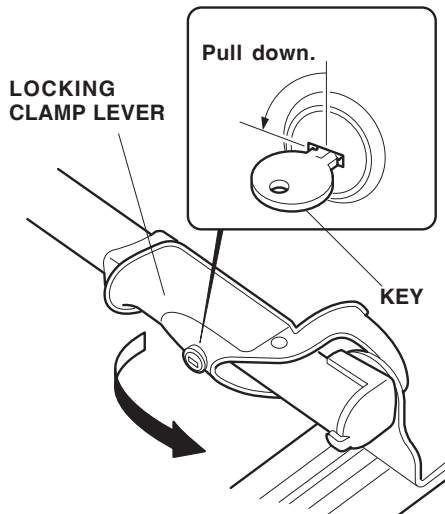
17. Put this Installation Instruction and the keys in the glove box for your client.

Installing a Bicycle on the Bike Attachment

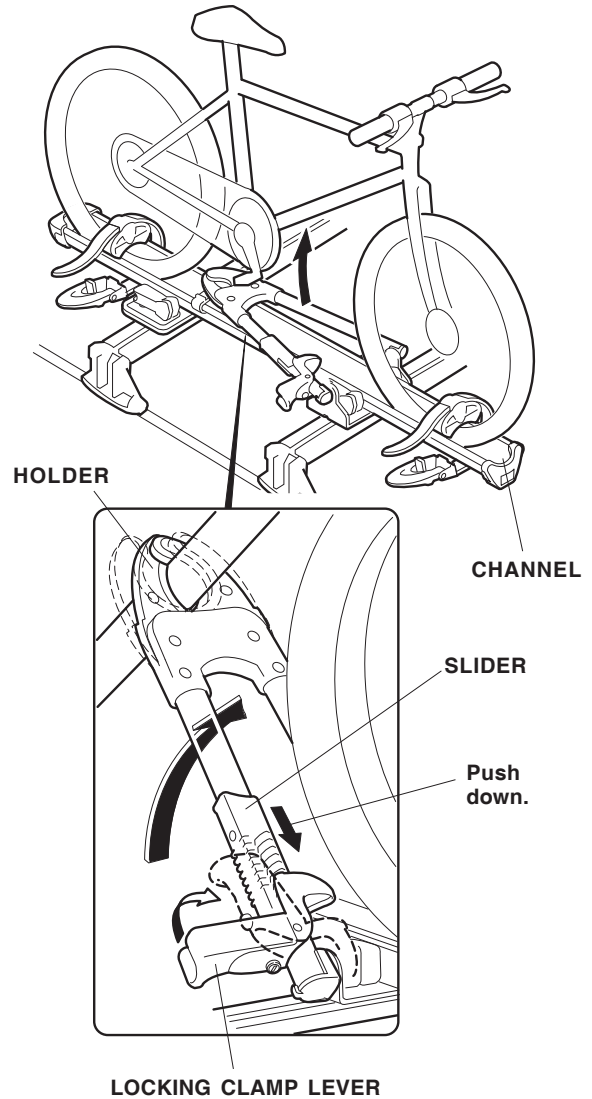
NOTE: Do not carry the bicycle with this bicycle attachment if the diameter of its frame exceeds 55 mm or if its sectional view is not circular in the area where it is held by the bicycle holder.



1. Release the locking clamp lever with the key, and pull the locking clamp lever down.

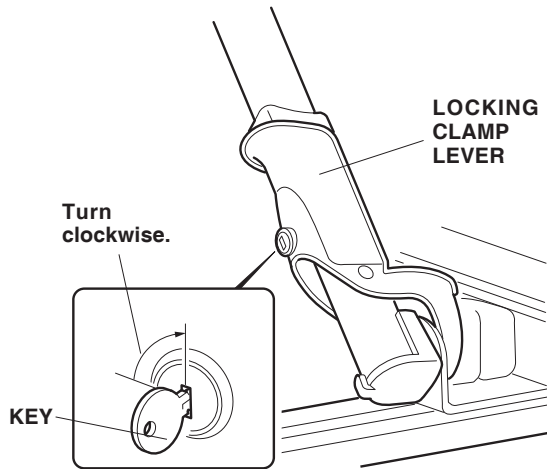


2. Position the bicycle on the channel. Lift the arm up, and hold the bicycle's frame by the holder to push down on slider.



3. Push up the locking clamp lever to secure the bicycle's frame.

4. Lock the locking clamp lever by inserting the key in the key cylinder and turning it clockwise.



5. Position the wheel straps at the center of the bicycle's wheels, then secure the wheels with the wheel straps by inserting the belts through the buckles and folding the buckles in the direction shown.

NOTE: If the size of the tires is so small that the tires cannot be secured by the belts, reinstall the tire adapters upside down on the belts as shown.

