



ACURA INSTALLATION INSTRUCTIONS

Accessory

**DOOR VISOR
P/N 08R04-SEC-201**

Application

2006 TSX

Publications No.

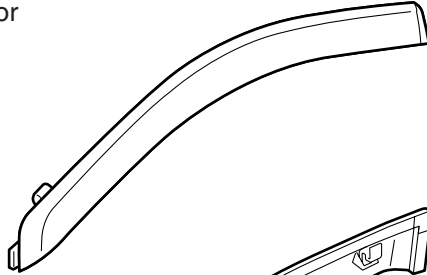
BII 31326

Issue Date

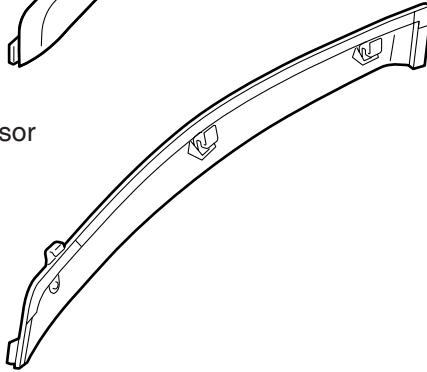
OCT 2005

PARTS LIST

Left front door visor



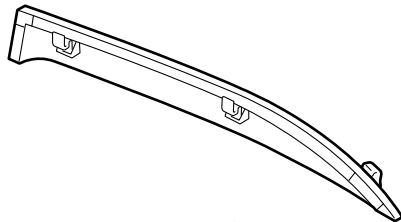
Right front door visor



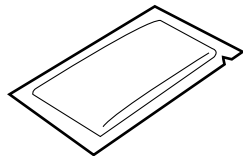
Left rear door visor



Right rear door visor



Primer



SUPPLIES REQUIRED

Isopropyl alcohol

Shop towel

Masking tape

Tape measure

Felt-tip pen

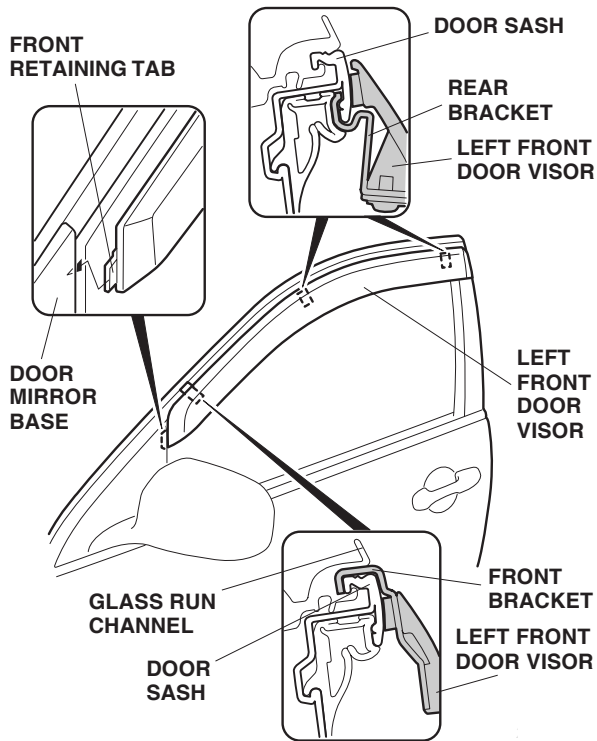
INSTALLATION

NOTE:

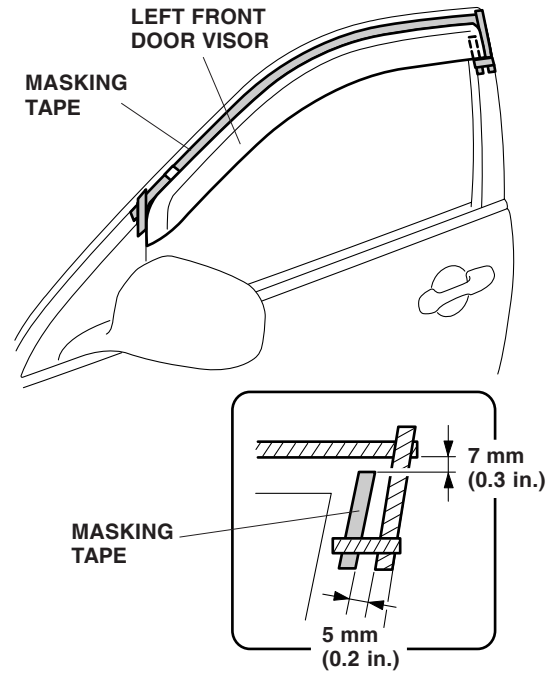
- These instructions show the left door visors being installed; the same procedure applies to installing the right door visors.
- Be careful not to damage the glass run channels and body finish.
- The door visors are not designed to absorb shock or impact. To prevent damage, handle with care.
- This door visor kit should only be installed if the ambient air temperature is 60°F (15°C) or above.
- To allow the adhesive to cure, do not wash the vehicle for 24 hours.
- Follow the instructions shown on the caution label attached to the container before applying the primer.

Installing the Front Door Visors

1. With the door slightly open, lower the door glass completely.
2. Position the door visor (left front) on the door and push the front retaining tab on the visor under the door mirror base. Install the door visor on the door sash by inserting the front bracket between the glass run channel and the door sash. Insert the two rear brackets into the door sash as shown.

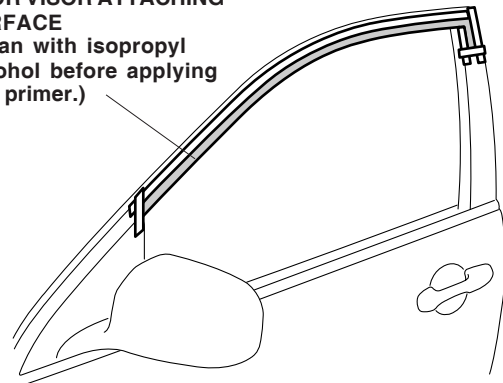


3. Apply masking tape to the door sash along the upper, front, and rear edges of the door visor as shown.
4. Remove the door visor. Using a tape measure and a felt-tip pen, measure, mark, and apply masking tape as shown.

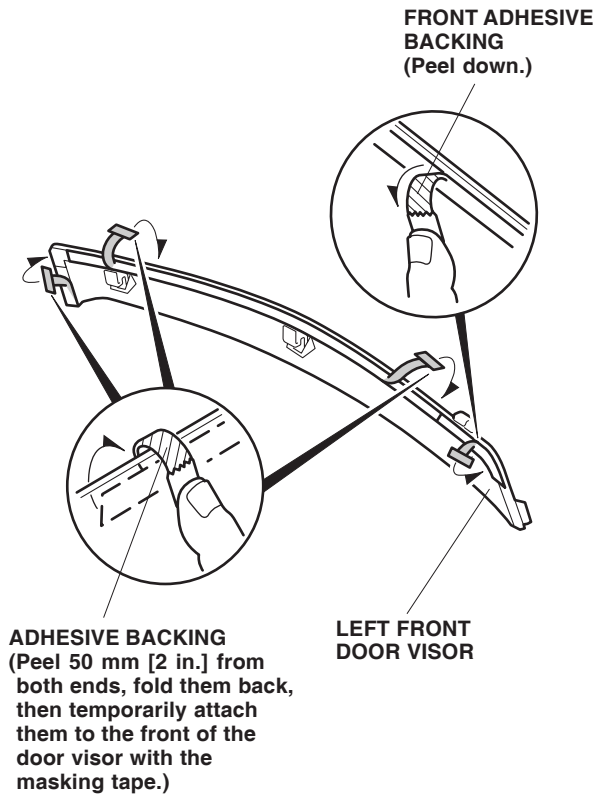


5. Using isopropyl alcohol, clean the door sash surrounded by the masking tape. Allow it to dry.
6. While wearing gloves, apply the primer to the door sash within the taped area. Wipe up excess primer at once. Allow the primer to dry for at least 3 minutes, then remove the masking tape.

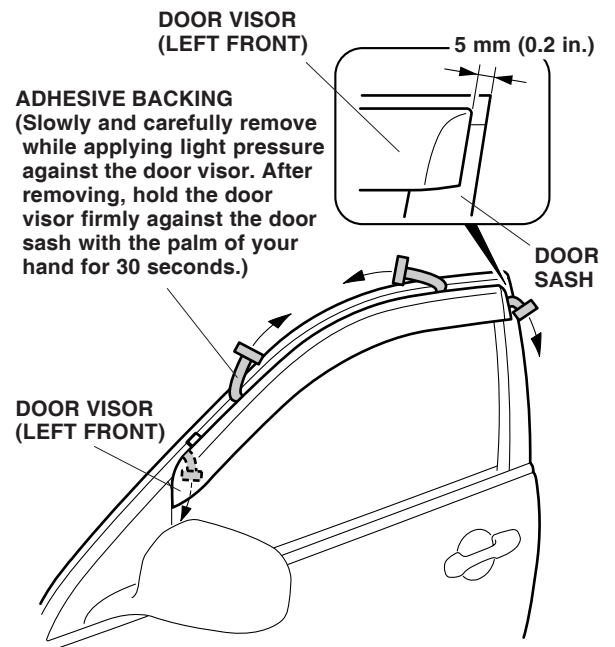
DOOR VISOR ATTACHING SURFACE
(Clean with isopropyl alcohol before applying the primer.)



- Peel 50 mm (2 in.) of the adhesive backing from both ends of the door visor (left front), fold them back, then temporarily attach them to the front of the door visor with the masking tape. Peel the front adhesive backing down.



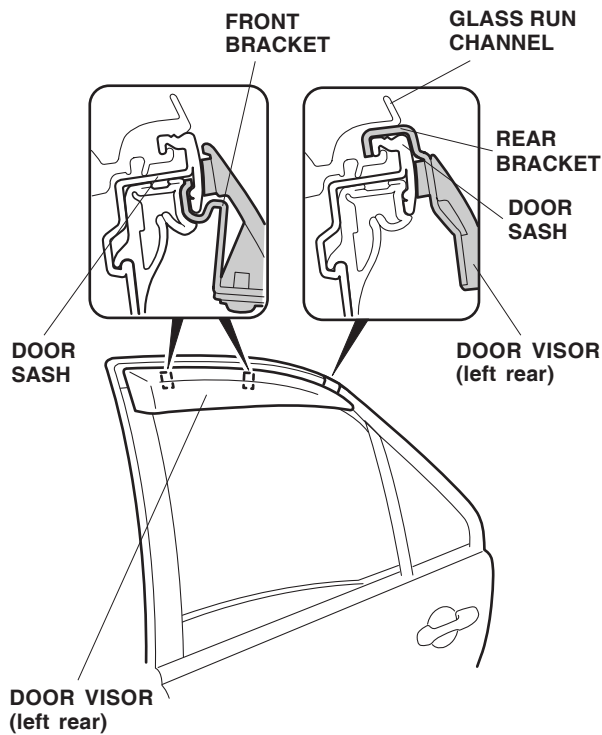
- Adjust the door visor (left front) so that the clearance between the rear ends of the door visor and door sash is 5 mm (0.2 in.). While applying light pressure against the door visor, slowly and carefully remove the adhesive backings you peeled back.
- After removing the adhesive backings, hold the door visor firmly against the door sash with the palm of your hand for 30 seconds.
 - Before holding the door visor against the door sash, check that the two rear brackets are installed properly.
 - After installing, push the door visor firmly against the door sash with the palm of your hand, particularly at the edges.



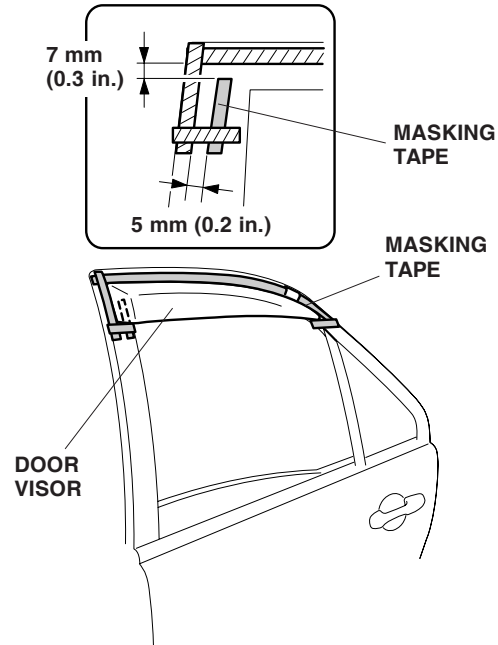
- Repeat steps 1 thru 9 to install the right door visor.

Installing the Rear Door Visors

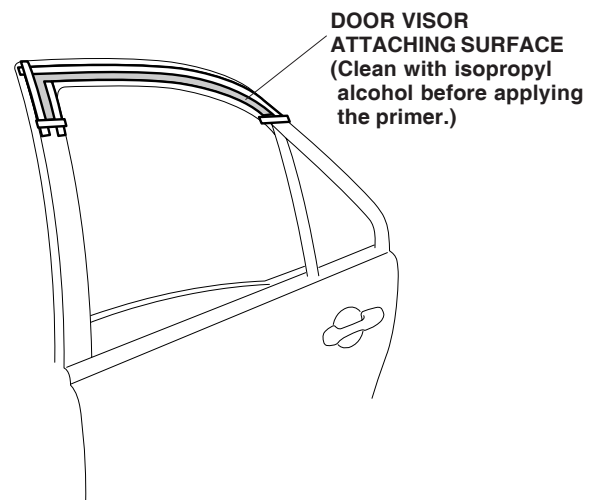
11. With the door slightly open, lower the door glass completely.
12. Install the door visor on the door sash by inserting the rear bracket between the glass run channel and the door sash. Insert the two front brackets into the door sash.



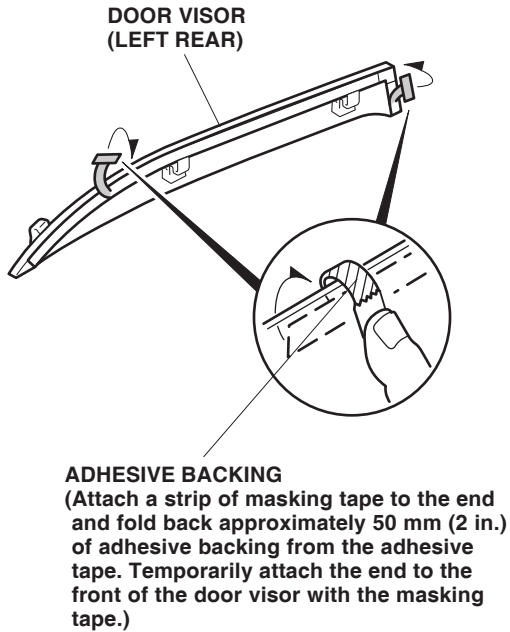
13. Apply masking tape to the door sash along the top, front, and rear edges of the door visor.
14. Remove the door visor. Using a tape measure and a felt-tip pen, measure, mark and apply masking tape as shown.



15. Using isopropyl alcohol, clean the area surrounded by the masking tape. Allow it to dry.
16. While wearing gloves, apply the primer to the door sash within the masking tape area. Wipe up excess primer at once. Allow the primer to dry for at least 3 minutes, then remove the masking tape.

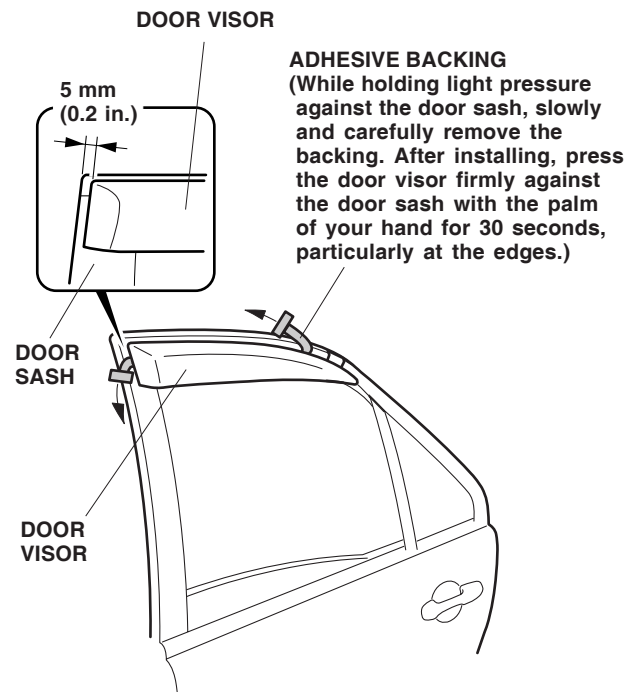


17. On the inside of the left rear door visor, attach masking tape to the end of each adhesive backing, and fold back approximately 50 mm (2 in.) of adhesive backing from each adhesive tape. Temporarily attach the end to the front of the door visor with masking tape.



18. Adjust the door visor so that the clearance between the door visor and the door sash is 5 mm (0.2 in.). While applying light pressure to the door visor, slowly and carefully remove the adhesive backings. Hold the door visor firmly against the door sash with the palm of your hand for 30 seconds.

- Before pressing the door visor against the door sash, check that the two front brackets are installed properly.
- After installing, hold the door visor firmly against the door sash with the palm of your hand, particularly at the edges.



19. Repeat steps 11 thru 18 to install the right rear door visor.

USE AND CARE

- Use a sponge or cloth and water to clean the door visors.
- To remove dirt, use a sponge or cloth and a solution of dishwashing liquid soap and water, and rinse with clean water. Do not use organic solvents such as thinner, benzene and alcohol or cleaners containing these compounds to clean the door visors.